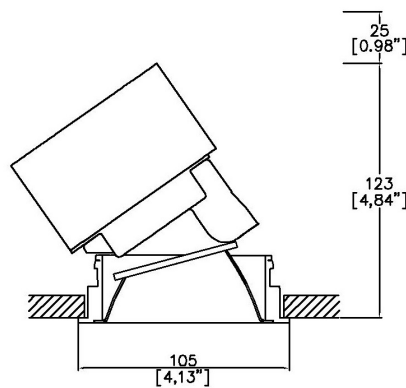


ProSpex Performance105 Accent



105mm (4.13") overall diameter dark light accent downlight fixture. Up to 35° tilt. Supplied as standard with semi-specular silver reflector and white die-cast trim. Pattress provided for soft tile or metal ceiling installation. Required depth = height + 25mm[^]



PP1053
Cut out Ø97mm
Weight: 0.54kg

LED Source	COB	COB	COB	COB
CCT	3000K	3000K	3000K	3000K
Drive Current	700mA	700mA	700mA	700mA
Power inc Driver	29W	29W	29W	29W
Beam Angle	18°	24°	30°	52°
Delivered Lumens	1717	1772	1757	1594
Delivered Intensisty cd	11087	8565	5672	2515
Efficacy lm/w	59	61	61	55
Forward Volt	35.3V	35.3V	35.3V	35.3V
CRI	≥90 CRI	≥90 CRI	≥90 CRI	≥90 CRI

Project Ref: _____

Location Ref: _____

Fixture Order Code: - - - -

Fixture
PP1053

Performance105 Accent

CCT

- 27 2700K
- 30 3000K
- 35 3500K
- 40 4000K

Beam

- 18 18°
- 24 24°
- 30 30°
- 52 52°

Trim Finish

- WH White
- RAL Custom RAL Colour*

Reflector Finish

- SSS Semi Specular Silver



Honeycomb Louvre



Diffusing Lens



Frosted Lens



Heavy Spread Lens



Linear Spread Lens



Warm Tone

Accessories Order Code:

Louvre/Lens

- LL45 Honeycomb Louvre
- LLCC Warm Tone Lens
- LLUV UV Lens
- LLDF Diffusing Lens
- LLFR Frosted Lens
- LLLS Linear Spread Lens
- LLHS Heavy Spread Lens

Technical Details

*Custom RAL code must be specified. Custom RAL colours can increase prices and lead times

Dimming. Whilst Lucent can offer the majority of its luminaires with various dimming options, it remains the responsibility of the specifier/installer to check and ensure compatibility of any control equipment used. Additional cabling may be required depending on the dimming protocol specified.

**Bluetooth (wireless) is the communication method. The exact dimming protocol must be confirmed to allow the selection of suitable drivers or bluetooth devices.

^ Depth indicated is the minimum recess depth for the luminaire with a remote mounted LED driver. Installing a driver through either the luminaire cut-out or installation kit may require additional recess depth, please refer to the relevant luminaire installation instructions for further details.Data correct at time of publishing

First Fix Requirement. Luminaire comprised of fixture body with ceiling trim and installation kit, which is to be fitted into the ceiling once finished. Ensure correct alignment of the installation kit before final assembly (see luminaire installation instructions for details)

IP Rating. Tested from underside of the ceiling

It is the policy of Lucent Lighting to continually review and improve its products and therefore reserve the right to change any details of product or withdraw specifications without prior notice.

Luminaires designed to comply with EN60598 and all other standards.

This specification sheet superseded all previous versions.

All intellectual property rights pertaining to the product described above and to this document are owned by or licensed to Lucent Lighting Ltd.

We reserve the right to take whatever action is necessary to protect those intellectual property rights.

Please notify Lucent Lighting Ltd of any inaccuracies immediately. E&OE

Light efficiency:

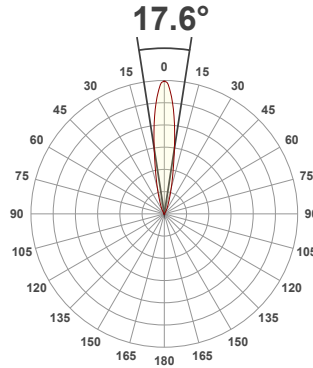
59 Lumen/Watt

Light quality:

CRI: 93.7

Color temperature:

3000 K



Product name:

**Performance105 Accent
LED, 3000K, 18°, 700mA**

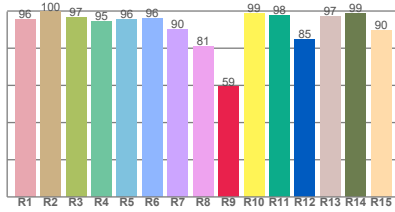
Item number:

PP1053-30-18-SSS-700mA

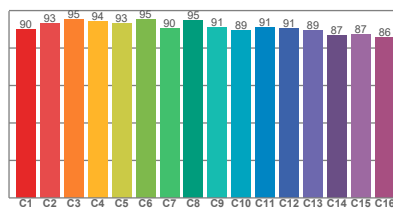
**Delivered information for above
fixture and LED combination.**

Output: 1717 Lumen Peak intensity: 11087 cd Power consumption: 29.0

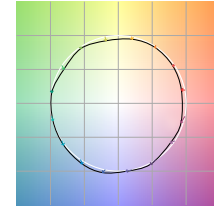
CRI R values



TM30 C Values

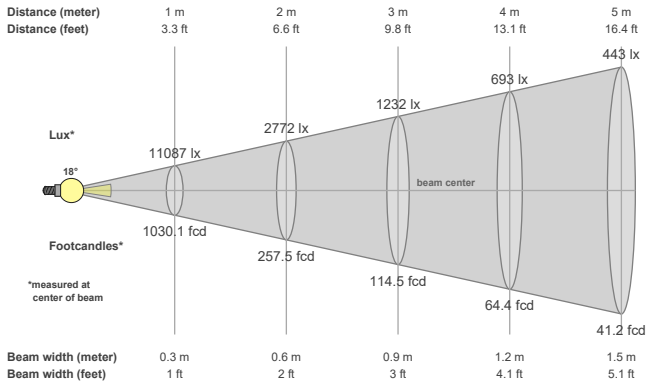


Color vector graphics



Color temperature	Color rendering index	Red component	Color fidelity	Color gamut	Color quality scale	Color coordinate cle 1931	Color coordinate cle 1931	Color coordinate	Color coordinate	Color deviation from black body
CCT	CRI	CRI R9	TM30 Rf	TM30 Rg	CQS	x	y	u	v	Δuv
3000 K	93.7	59.2	91.4	96.8	92.2	0.437	0.404	0.249	0.347	0.0002

Beam details



Beam angles

Beam angle 50%	Field angle 10%	Cutoff angle 2,5%
17.6°	39.8°	60.7°

Beam intensities

Peak intensity	Int. ratio in 120° cone	Int. ratio in 90° cone
11087 cd	98.6%	98.2%

Beam intensities from 1-20m

1m	2m	3m	4m	5m	6m	7m	8m	9m	10m	11m	12m	13m	14m	15m	16m	17m	18m	19m	20m
3.3ft	6.6ft	9.8ft	13.1ft	16.4ft	19.7ft	23ft	26.2ft	29.5ft	32.8ft	36.1ft	39.4ft	42.7ft	45.9ft	49.2ft	52.5ft	55.8ft	59.1ft	62.3ft	65.6ft
11087lx	2772lx	1232lx	693lx	443lx	308lx	226lx	173lx	137lx	111lx	92lx	77lx	66lx	57lx	49lx	43lx	38lx	34lx	31lx	28lx
1030.1fcd	257.5fcd	114.5fcd	64.4fcd	41.2fcd	28.6fcd	21fcd	16.1fcd	12.7fcd	10.3fcd	8.5fcd	7.2fcd	6.1fcd	5.3fcd	4.6fcd	4fcd	3.6fcd	3.2fcd	2.9fcd	2.6fcd

The above information is for 3000K colour temperature.

Light efficiency:

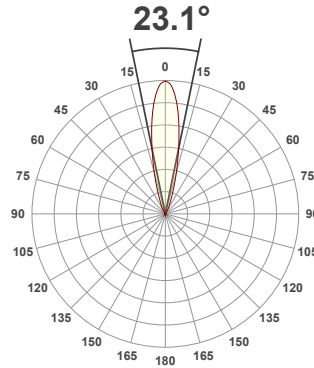
61 Lumen/Watt

Light quality:

CRI: 93.7

Color temperature:

3000 K



Product name:

**Performance105 Accent
LED, 3000K, 24°, 700mA**

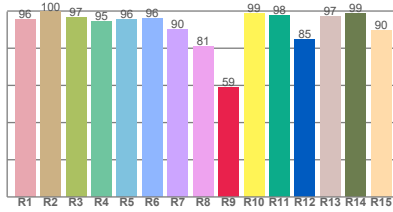
Item number:

PP1053-30-24-SSS-700mA

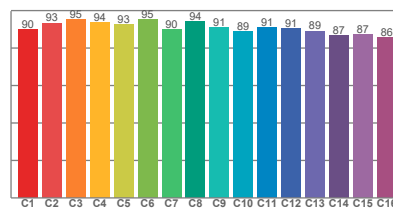
**Delivered information for above
fixture and LED combination.**

Output: 1772 Lumen Peak intensity: 8565 cd Power consumption: 29.0

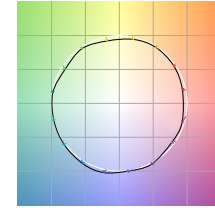
CRI R values



TM30 C Values

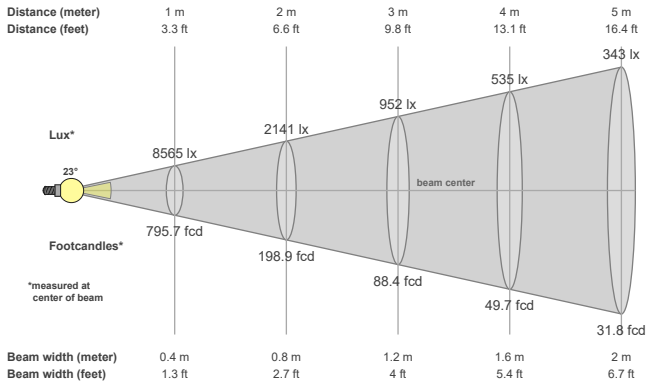


Color vector graphics



Color temperature	Color rendering index	Red component	Color fidelity	Color gamut	Color quality scale	Color coordinate cle 1931	Color coordinate cle 1931	Color coordinate	Color coordinate	Color diviation from black body
CCT	CRI	CRI R9	TM30 Rf	TM30 Rg	CQS	x	y	u	v	Δuv
3000 K	93.7	59.2	91.2	96.7	92.2	0.437	0.404	0.250	0.348	0.0003

Beam details



Beam angles

Beam angle 50%	Field angle 10%	Cutoff angle 2,5%
23.1°	45.2°	62.5°

Beam intensities

Peak intensity	Int. ratio in 120° cone	Int. ratio in 90° cone
8565 cd	99.2%	99.0%

Beam intensities from 1-20m

1m	2m	3m	4m	5m	6m	7m	8m	9m	10m	11m	12m	13m	14m	15m	16m	17m	18m	19m	20m
3.3ft	6.6ft	9.8ft	13.1ft	16.4ft	19.7ft	23ft	26.2ft	29.5ft	32.8ft	36.1ft	39.4ft	42.7ft	45.9ft	49.2ft	52.5ft	55.8ft	59.1ft	62.3ft	65.6ft
8565lx	2141lx	952lx	535lx	343lx	238lx	175lx	134lx	106lx	86lx	71lx	59lx	51lx	44lx	38lx	33lx	30lx	26lx	24lx	21lx
795.7fcd	198.9fcd	88.4fcd	49.7fcd	31.8fcd	22.1fcd	16.2fcd	12.4fcd	9.8fcd	8fcd	6.6fcd	5.5fcd	4.7fcd	4.1fcd	3.5fcd	3.1fcd	2.8fcd	2.5fcd	2.2fcd	2fcd

The above information is for 3000K colour temperature.

Light efficiency:

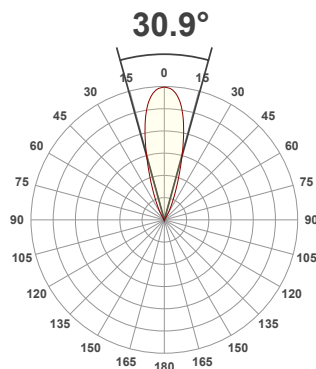
61 Lumen/Watt

Light quality:

CRI: 93.7

Color temperature:

3000 K



Product name:

**Performance105 Accent
LED, 3000K, 30°, 700mA**

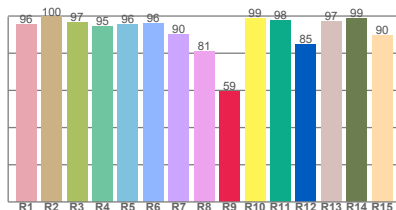
Item number:

PP1053-30-30-SSS-700mA

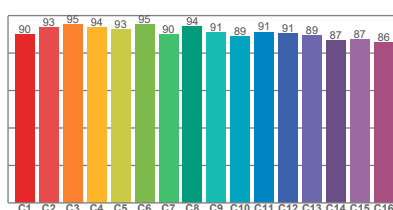
**Delivered information for above
fixture and LED combination.**

Output: 1757 Lumen Peak intensity: 5672 cd Power consumption: 29.0

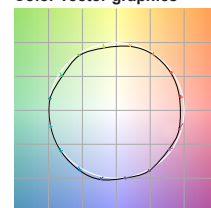
CRI R values



TM30 C Values

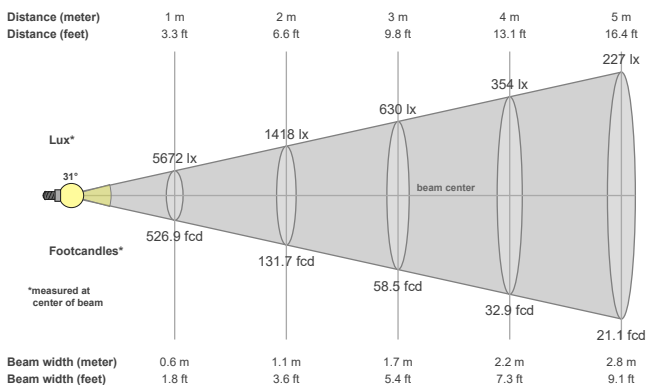


Color vector graphics



Color temperature	Color rendering index	Red component	Color fidelity	Color gamut	Color quality scale	Color coordinate cle 1931	Color coordinate cle 1931	Color coordinate	Color coordinate	Color diviation from black body
CCT	CRI	CRI R9	TM30 Rf	TM30 Rg	CQS	x	y	u	v	Δuv
3000 K	93.7	59.4	91.2	96.6	92.2	0.437	0.404	0.249	0.347	0.0003

Beam details



Beam angels

Beam angle 50%	Field angle 10%	Cutoff angle 2,5%
30.9°	53.8°	65.2°

Beam intensities

Peak intensity	Int. ratio in 120° cone	Int. ratio in 90° cone
5672 cd	98.8%	98.4%

Beam intensities from 1-20m

1m	2m	3m	4m	5m	6m	7m	8m	9m	10m	11m	12m	13m	14m	15m	16m	17m	18m	19m	20m
3.3ft	6.6ft	9.8ft	13.1ft	16.4ft	19.7ft	23ft	26.2ft	29.5ft	32.8ft	36.1ft	39.4ft	42.7ft	45.9ft	49.2ft	52.5ft	55.8ft	59.1ft	62.3ft	65.6ft
5672lx	1418lx	630lx	354lx	227lx	158lx	116lx	89lx	70lx	57lx	47lx	39lx	34lx	29lx	25lx	22lx	20lx	18lx	16lx	14lx
526.9fcd	131.7fcd	58.5fcd	32.9fcd	21.1fcd	14.6fcd	10.8fcd	8.2fcd	6.5fcd	5.3fcd	4.4fcd	3.7fcd	3.1fcd	2.7fcd	2.3fcd	2.1fcd	1.8fcd	1.6fcd	1.5fcd	1.3fcd

The above information is for 3000K colour temperature.

Light efficiency:

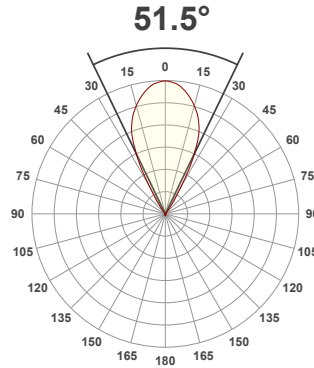
55 Lumen/Watt

Light quality:

CRI: 93.6

Color temperature:

3000 K



Product name:

**Performance105 Accent
LED, 3000K, 52°, 700mA**

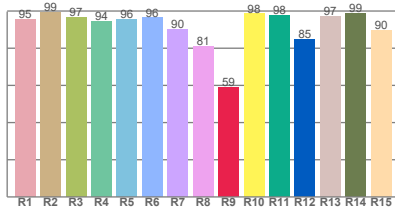
Item number:

PP1053-30-52-SSS-700mA

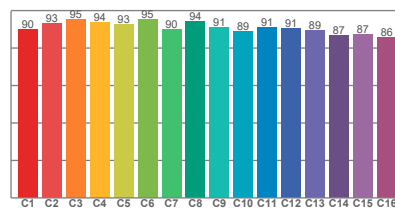
**Delivered information for above
fixture and LED combination.**

Output: 1594 Lumen Peak intensity: 2515 cd Power consumption: 29.0

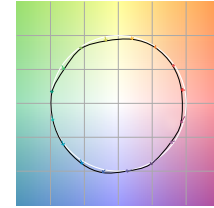
CRI R values



TM30 C Values

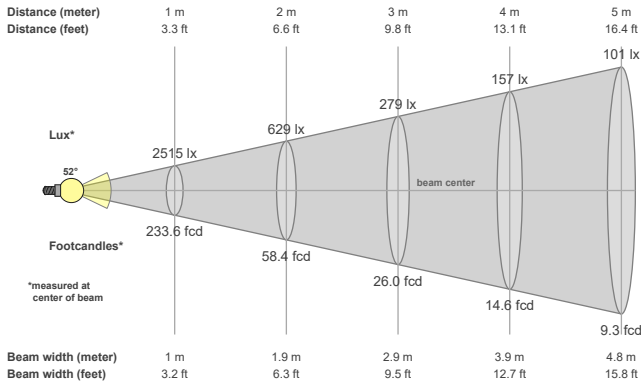


Color vector graphics



Color temperature	Color rendering index	Red component	Color fidelity	Color gamut	Color quality scale	Color coordinate cle 1931	Color coordinate cle 1931	Color coordinate	Color coordinate	Color diviation from black body
CCT	CRI	CRI R9	TM30 Rf	TM30 Rg	CQS	x	y	u	v	Δuv
3000 K	93.6	59.0	91.2	96.7	92.2	0.437	0.404	0.249	0.347	0.0003

Beam details



Beam angels

Beam angle 50%	Field angle 10%	Cutoff angle 2,5%
51.5°	68.6°	78.2°

Beam intensities

Peak intensity	Int. ratio in 120° cone	Int. ratio in 90° cone
2515 cd	99.0%	98.5%

Beam intensities from 1-20m

1m	2m	3m	4m	5m	6m	7m	8m	9m	10m	11m	12m	13m	14m	15m	16m	17m	18m	19m	20m
3.3ft	6.6ft	9.8ft	13.1ft	16.4ft	19.7ft	23ft	26.2ft	29.5ft	32.8ft	36.1ft	39.4ft	42.7ft	45.9ft	49.2ft	52.5ft	55.8ft	59.1ft	62.3ft	65.6ft
2515lx	629lx	279lx	157lx	101lx	70lx	51lx	39lx	31lx	25lx	21lx	17lx	15lx	13lx	11lx	10lx	9lx	8lx	7lx	6lx
233.6fcd	58.4fcd	26fcd	14.6fcd	9.3fcd	6.5fcd	4.8fcd	3.7fcd	2.9fcd	2.3fcd	1.9fcd	1.6fcd	1.4fcd	1.2fcd	1fcd	0.9fcd	0.8fcd	0.7fcd	0.6fcd	0.6fcd

The above information is for 3000K colour temperature.