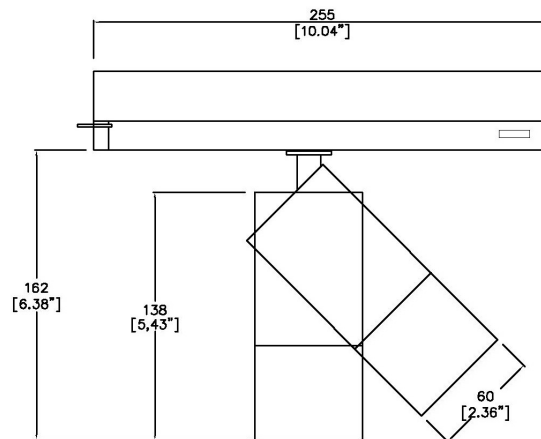


## TubeLED Mini SuperSpot



60mm (2.36") overall diameter LED spotlight.  
Available with monopoint mounting, and track adaptor.  
Family of matching products also available.



7100/SS-3CT

Driver Location	Integral to Track adaptor
LED Source	LED
CCT	3000K
Drive Current	1000mA
Power inc Driver	14.5W
Beam Angle	7°
Delivered Lumens	722
Delivered Intensity cd	26123
Efficacy lm/w	59
Forward Volt	12.3V
CRI	≥90 CRI

Project Ref: \_\_\_\_\_

Location Ref: \_\_\_\_\_

Fixture Order Code: **7100/SS** - [ ] - **7** - [ ] - [ ] - [ ] - **3CT**

Fixture  
7100/SS

TubeLED Mini SuperSpot

CCT  
927  
930

90 CRI 2700K  
90 CRI 3000K

Beam  
7

7°

Protocol  
S  
D

Non-Dim  
DALI

Colour Insert

SN  
SG  
CP  
BZ  
(Blank)

Satin Nickel  
Satin Gold  
Copper  
Bronze  
Not required standard black to be supplied

Finish

WH  
BK  
RAL

White  
Black  
Custom RAL Finish\*

Fixing  
3CT

3 Circuit Track Adaptor

Driver located in track adaptor.

## Technical Details

\*Custom RAL code must be specified. Custom RAL colours can increase prices and lead times

Dimming. Whilst Lucent can offer the majority of its luminaires with various dimming options, it remains the responsibility of the specifier/installer to check and ensure compatibility of any control equipment used. Additional cabling may be required depending on the dimming protocol specified.

IP Rating. Tested from underside of the ceiling

It is the policy of Lucent Lighting to continually review and improve its products and therefore reserve the right to change any details of product or withdraw specifications without prior notice.

Luminaires designed to comply with EN60598 and all other standards.

This specification sheet supersedes all previous versions.

All intellectual property rights pertaining to the product described above and to this document are owned by or licensed to Lucent Lighting Ltd.

We reserve the right to take whatever action is necessary to protect those intellectual property rights.

Please notify Lucent Lighting Ltd of any inaccuracies immediately. E&OE



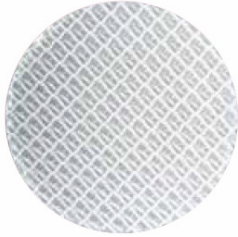
**Honeycomb Louvre**



**Diffusing Lens**



**Frosted Lens**



**Heavy Spread Lens**



**Linear Spread Lens**



**Warm Tone**

Accessories Order Code:

Louvre/Lens

- LL45 Honeycomb Louvre
- LLCC Warm Tone Lens
- LLUV UV Lens
- LLDF Diffusing Lens
- LLFR Frosted Lens
- LLLS Linear Spread Lens
- LLHS Heavy Spread Lens

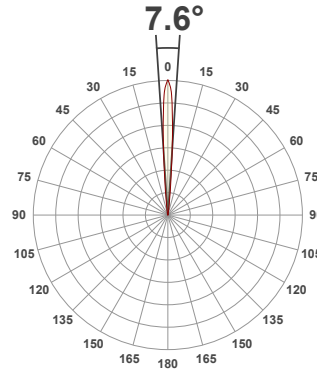
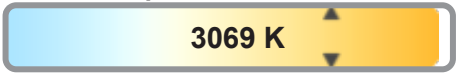
**Light efficiency:**



**Light quality:**



**Color temperature:**



**Product name:**

**TubeLED Mini SuperSpot,  
3000K, 7°, 1000mA**

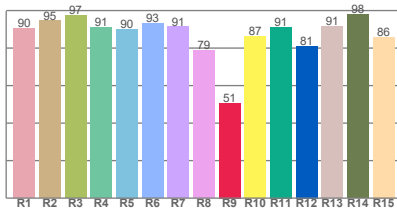
**Item number:**

**7100/SS-930-7-1000mA**

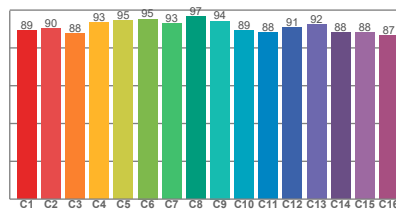
**Delivered information for  
above fixture and LED  
combination.**

**Output: 722 Lumen Peak intensity: 26123 cd Power consumption: 12.3W**

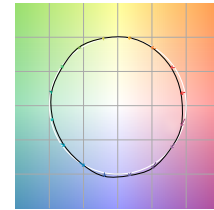
**CRI R values**



**TM30 C Values**

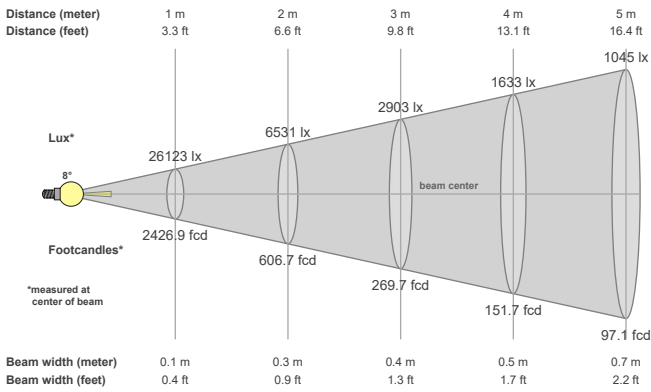


**Color vector graphics**



Color temperature	Color rendering index	Red component	Color fidelity	Color gamut	Color quality scale	Color coordinate cie 1931	Color coordinate cie 1931	Color coordinate	Color coordinate	Color deviation from black body
CCT	CRI	CRI R9	TM30 Rf	TM30 Rg	CQS	x	y	u	v	Δuv
<b>3069 K</b>	<b>90.9</b>	<b>50.7</b>	<b>91.2</b>	<b>99.0</b>	<b>89.5</b>	<b>0.433</b>	<b>0.403</b>	<b>0.248</b>	<b>0.347</b>	<b>0.0003</b>

**Beam details**



**Beam angels**

Beam angle 50%	Field angle 10%	Cutoff angle 2,5%
<b>7.6°</b>	<b>13.5°</b>	<b>20.9°</b>

**Beam intensities**

Peak intensity	Int. ratio in 120° cone	Int. ratio in 90° cone
<b>26123 cd</b>	<b>95.0%</b>	<b>93.6%</b>

**Beam intensities from 1-20m**

1m	2m	3m	4m	5m	6m	7m	8m	9m	10m	11m	12m	13m	14m	15m	16m	17m	18m	19m	20m
3.3ft	6.6ft	9.8ft	13.1ft	16.4ft	19.7ft	23ft	26.2ft	29.5ft	32.8ft	36.1ft	39.4ft	42.7ft	45.9ft	49.2ft	52.5ft	55.8ft	59.1ft	62.3ft	65.6ft
26123lx	6531lx	2903lx	1633lx	1045lx	726lx	533lx	408lx	323lx	261lx	216lx	181lx	155lx	133lx	116lx	102lx	90lx	81lx	72lx	65lx
2426.9fcd	606.7fcd	269.7fcd	151.7fcd	97.1fcd	67.4fcd	49.5fcd	37.9fcd	30fcd	24.3fcd	20.1fcd	16.9fcd	14.4fcd	12.4fcd	10.8fcd	9.5fcd	8.4fcd	7.5fcd	6.7fcd	6.1fcd

The above information is for 3000K colour temperature, for specific module information please see LED spec located on our website

For information regarding other colour temperatures please use the following factors for lumen output and candelas:

2700K = 0.9