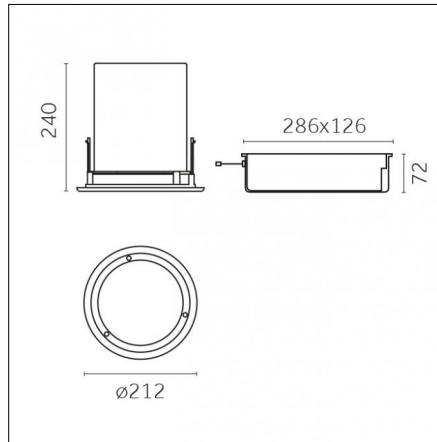


Multispot Fixed recessed IP66 luminaire

Outdoor | Recessed ceiling luminaires | Multispot



**CUT
OUT**

188mm



Narrow 12°



IP66



Risk 1

850°



Code 0.B963B.HQ26 (Previous product code 0.0963A.HQ26)

Light source features

Number of light sources: 1

Source type: LED HQ

Watt: 12W

Lm: 1800lm

Lm/W: 135lm/W

Kelvin/CRI: 3000K / >90

SDCM/L80 B10: < 3 / 50000

Electrical features

Driver included: YES

Driver position: remote

Driver type: On-Off 220/240 Vac 50/60 Hz

Total power consumption (LED + DRIVER): 13.7W

Isolation class: Class II

Optical features

Beam angle: 12°

Optical type, adjustability: Fixed

Interchangeable optic (IOS): YES

Physical features

Material: Die-cast aluminium

Mounting: Recessed

Fixing: Ceiling

Finishing: Black-graphite (Standard)

Weight: 3.24Kg

Luminaire constructed in conformity with Directives 2014/35/EU (LV), 2014/30/EU (EMC), 2009/125/EC (Ecodesign) with Regulations (EC) No 245/2009, (EU) No 347/2010 and (EU) 2015/1428 (for luminaires with fluorescent and metal halide lamps only), 2009/125/EC (Ecodesign) with Regulations (EU) No 1194/2012 and 2015/1428 (for LED luminaires only), 2011/65/EU (RoHS 2) and 2012/19/EU (WEEE).

Reggiani SPA Illuminazione

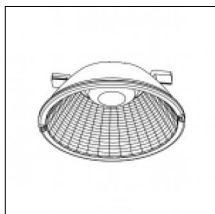
Viale Monza, 16 20845 Sovico (MB) Italy
Tel. (+39) 039 2071.1 fax (+39) 039 2071 999

www.reggiani.net
contact@reggiani.net

Photometries



Optics



Optic included - Code 0.35030.0000 - 80 mm Ø IOS reflector LL2 - LED

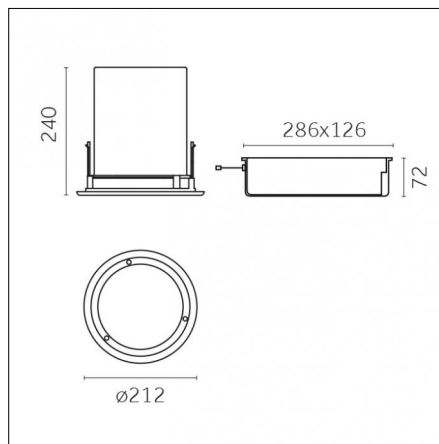
Finishing:

Description:

Narrow light beam. 80 mm Ø IOS reflector.
Narrow Narrow

Multispot Fixed recessed IP66 luminaire

Outdoor | Recessed ceiling luminaires | Multispot



**CUT
OUT**

188mm



Narrow 12°

27

IP66



Risk 1

850°



Code 0.B963B.HQ27 (Previous product code 0.0963A.HQ27)

Light source features

Number of light sources: 1

Source type: LED HQ

Watt: 12W

Lm: 1800lm

Lm/W: 135lm/W

Kelvin/CRI: 3000K / >90

SDCM/L80 B10: < 3 / 50000

Electrical features

Driver included: YES

Driver position: remote

Driver type: On-Off 220/240 Vac 50/60 Hz

Total power consumption (LED + DRIVER): 13.7W

Isolation class: Class II

Optical features

Beam angle: 12°

Optical type, adjustability: Fixed

Interchangeable optic (IOS): YES

Physical features

Material: Die-cast aluminium

Mounting: Recessed

Fixing: Ceiling

Finishing: White gloss (Standard)

Weight: 3.24Kg

Luminaire constructed in conformity with Directives 2014/35/EU (LV), 2014/30/EU (EMC), 2009/125/EC (Ecodesign) with Regulations (EC) No 245/2009, (EU) No 347/2010 and (EU) 2015/1428 (for luminaires with fluorescent and metal halide lamps only), 2009/125/EC (Ecodesign) with Regulations (EU) No 1194/2012 and 2015/1428 (for LED luminaires only), 2011/65/EU (RoHS 2) and 2012/19/EU (WEEE).

Reggiani SPA Illuminazione

Viale Monza, 16 20845 Sovico (MB) Italy
Tel. (+39) 039 2071.1 fax (+39) 039 2071 999

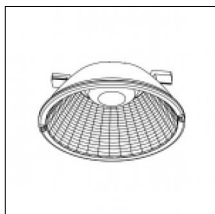
www.reggiani.net
contact@reggiani.net

Photometries



Luminaire constructed in conformity with Directives 2014/35/EU (LV), 2014/30/EU (EMC), 2009/125/EC (Ecodesign) with Regulations (EC) No 245/2009, (EU) No 347/2010 and (EU) 2015/1428 (for luminaires with fluorescent and metal halide lamps only), 2009/125/EC (Ecodesign) with Regulations (EU) No 1194/2012 and 2015/1428 (for LED luminaires only), 2011/65/EU (RoHS 2) and 2012/19/EU (WEEE).

Optics



Optic included - Code 0.35030.0000 - 80 mm Ø IOS reflector LL2 - LED

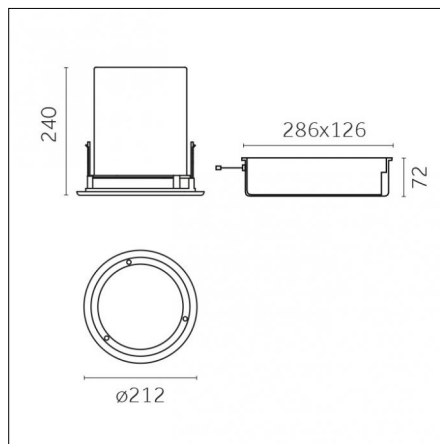
Finishing:

Description:

Narrow light beam. 80 mm Ø IOS reflector.
Narrow Narrow

Multispot Fixed recessed IP66 luminaire

Outdoor | Recessed ceiling luminaires | Multispot



**CUT
OUT**

188mm



Medium 22°

27

IP66



Risk 1

850°



Code 0.B963D.WW27 (Previous product code 0.0963B.WW27)

Light source features

Number of light sources: 1

Source type: LED WW

Watt: 12W

Lm: 2060lm

Lm/W: 161lm/W

Kelvin/CRI: 3000K / >80

SDCM/L80 B10: < 3 / 50000

Electrical features

Driver included: YES

Driver position: remote

Driver type: On-Off 220/240 Vac 50/60 Hz

Total power consumption (LED + DRIVER): 13.7W

Isolation class: Class II

Optical features

Beam angle: 22°

Optical type, adjustability: Fixed

Interchangeable optic (IOS): YES

Physical features

Material: Die-cast aluminium

Mounting: Recessed

Fixing: Ceiling

Finishing: White gloss (Standard)

Weight: 3.24Kg

Luminaire constructed in conformity with Directives 2014/35/EU (LV), 2014/30/EU (EMC), 2009/125/EC (Ecodesign) with Regulations (EC) No 245/2009, (EU) No 347/2010 and (EU) 2015/1428 (for luminaires with fluorescent and metal halide lamps only), 2009/125/EC (Ecodesign) with Regulations (EU) No 1194/2012 and 2015/1428 (for LED luminaires only), 2011/65/EU (RoHS 2) and 2012/19/EU (WEEE).

Reggiani SPA Illuminazione

Viale Monza, 16 20845 Sovico (MB) Italy
Tel. (+39) 039 2071.1 fax (+39) 039 2071 999

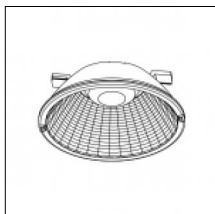
www.reggiani.net
contact@reggiani.net

Photometries



Luminaire constructed in conformity with Directives 2014/35/EU (LV), 2014/30/EU (EMC), 2009/125/EC (Ecodesign) with Regulations (EC) No 245/2009, (EU) No 347/2010 and (EU) 2015/1428 (for luminaires with fluorescent and metal halide lamps only), 2009/125/EC (Ecodesign) with Regulations (EU) No 1194/2012 and 2015/1428 (for LED luminaires only), 2011/65/EU (RoHS 2) and 2012/19/EU (WEEE).

Optics



Optic included - Code 0.35031.0000 - 80 mm Ø IOS reflector LL2 - LED

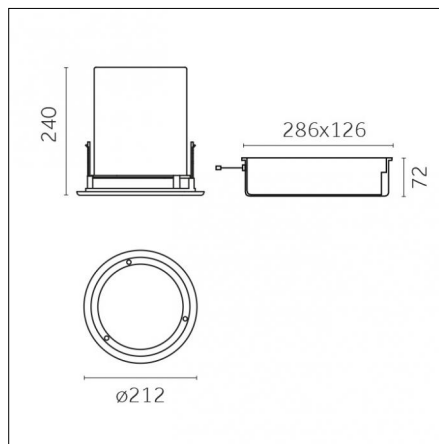
Finishing:

Description: Medium light beam. 80 mm Ø IOS reflector.

Medium Medium

Multispot Fixed recessed IP66 luminaire

Outdoor | Recessed ceiling luminaires | Multispot



**CUT
OUT**

188mm



Medium-wide 42°

27

IP66



Risk 1

850°



Code 0.B963H.WW27 (Previous product code 0.0963D.WW27)

Light source features

Number of light sources: 1

Source type: LED WW

Watt: 12W

Lm: 2060lm

Lm/W: 161lm/W

Kelvin/CRI: 3000K / >80

SDCM/L80 B10: < 3 / 50000

Electrical features

Driver included: YES

Driver position: remote

Driver type: On-Off 220/240 Vac 50/60 Hz

Total power consumption (LED + DRIVER): 13.7W

Isolation class: Class II

Optical features

Beam angle: 42°

Optical type, adjustability: Fixed

Interchangeable optic (IOS): YES

Physical features

Material: Die-cast aluminium

Mounting: Recessed

Fixing: Ceiling

Finishing: White gloss (Standard)

Weight: 3.24Kg

Luminaire constructed in conformity with Directives 2014/35/EU (LV), 2014/30/EU (EMC), 2009/125/EC (Ecodesign) with Regulations (EC) No 245/2009, (EU) No 347/2010 and (EU) 2015/1428 (for luminaires with fluorescent and metal halide lamps only), 2009/125/EC (Ecodesign) with Regulations (EU) No 1194/2012 and 2015/1428 (for LED luminaires only), 2011/65/EU (RoHS 2) and 2012/19/EU (WEEE).

Reggiani SPA Illuminazione

Viale Monza, 16 20845 Sovico (MB) Italy
Tel. (+39) 039 2071.1 fax (+39) 039 2071 999

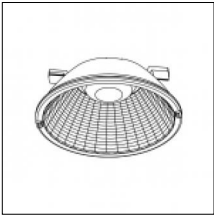
www.reggiani.net
contact@reggiani.net

Photometries



Luminaire constructed in conformity with Directives 2014/35/EU (LV), 2014/30/EU (EMC), 2009/125/EC (Ecodesign) with Regulations (EC) No 245/2009, (EU) No 347/2010 and (EU) 2015/1428 (for luminaires with fluorescent and metal halide lamps only), 2009/125/EC (Ecodesign) with Regulations (EU) No 1194/2012 and 2015/1428 (for LED luminaires only), 2011/65/EU (RoHS 2) and 2012/19/EU (WEEE).

Optics

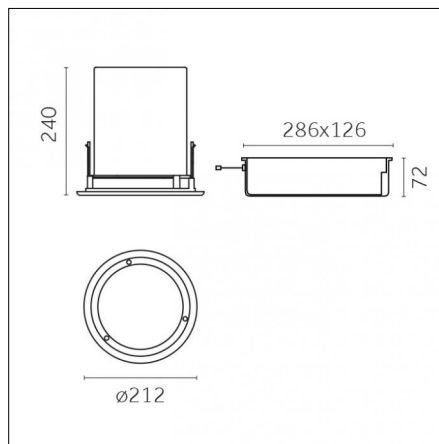


Optic included - Code 0.35033.0000 - 80 mm Ø IOS reflector LL2 - LED

Finishing:
Description:

Wide light beam. 80 mm Ø IOS reflector.
Wide Wide

Outdoor | Recessed ceiling luminaires | Multispot



**CUT
OUT**

188mm



Wide 56°

27

IP66



Risk 1

850°



Code 0.B966M.HQ27 (Previous product code 0.0965E.HQ27)

Light source features

Number of light sources: 1

Source type: LED HQ

Watt: 25W

Lm: 3360lm

Lm/W: 134lm/W

Kelvin/CRI: 3000K / >90

SDCM/L80 B10: < 3 / 50000

Electrical features

Driver included: YES

Driver position: remote

Driver type: On-Off 220/240 Vac 50/60 Hz

Total power consumption (LED + DRIVER): 26.9W

Isolation class: Class II

Optical features

Beam angle: 56°

Optical type, adjustability: Fixed

Interchangeable optic (IOS): YES

Physical features

Material: Die-cast aluminium

Mounting: Recessed

Fixing: Ceiling

Finishing: White gloss (Standard)

Weight: 3.24Kg

Luminaire constructed in conformity with Directives 2014/35/EU (LV), 2014/30/EU (EMC), 2009/125/EC (Ecodesign) with Regulations (EC) No 245/2009, (EU) No 347/2010 and (EU) 2015/1428 (for luminaires with fluorescent and metal halide lamps only), 2009/125/EC (Ecodesign) with Regulations (EU) No 1194/2012 and 2015/1428 (for LED luminaires only), 2011/65/EU (RoHS 2) and 2012/19/EU (WEEE).

Reggiani SPA Illuminazione

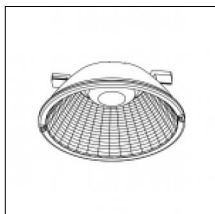
Viale Monza, 16 20845 Sovico (MB) Italy
Tel. (+39) 039 2071.1 fax (+39) 039 2071 999

www.reggiani.net
contact@reggiani.net

Photometries



Optics



Optic included - Code 0.35034.0000 - 80 mm Ø IOS reflector LL2 - LED

Finishing:

Description: Very wide light beam. 80 mm Ø IOS reflector.

Very wide Very wide