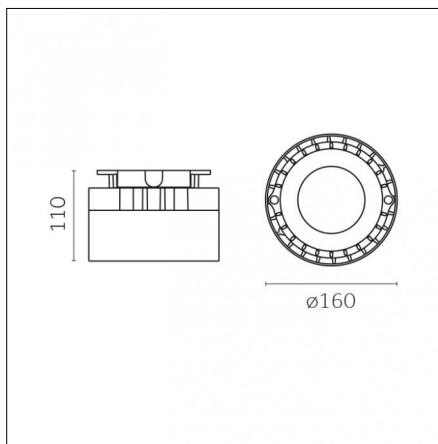


Lindro Round Surface mounted projector (IP66)

Outdoor | Wall- and ceiling-mounted luminaires | Lindro Round



Narrow 12°

27

IP66 IK07



Risk 1



Code 0.GB13B.NN27 (Previous product code 0.BB13A.NN27)

Light source features

Number of light sources: 1

Source type: LED NN

Watt: 12W

Lm: 2030lm

Lm/W: 169lm/W

Kelvin/CRI: 4000K / >80

SDCM/L80 B10: < 3 / 50000

Electrical features

Driver included: YES

Driver position: integrated

Driver type: On-Off 220/240 Vac 50/60 Hz

Isolation class: Class II

Optical features

Beam angle: 12°

Interchangeable optic (IOS): YES

Physical features

Material: Die-cast aluminium

Mounting: Surface mounted

Fixing: Ceiling

Finishing: White gloss (Standard)

Weight: 2.2Kg

Luminaire constructed in conformity with Directives 2014/35/EU (LV), 2014/30/EU (EMC), 2009/125/EC (Ecodesign) with Regulations (EC) No 245/2009, (EU) No 347/2010 and (EU) 2015/1428 (for luminaires with fluorescent and metal halide lamps only), 2009/125/EC (Ecodesign) with Regulations (EU) No 1194/2012 and 2015/1428 (for LED luminaires only), 2011/65/EU (RoHS 2) and 2012/19/EU (WEEE).

Reggiani SPA Illuminazione

Viale Monza, 16 20845 Sovico (MB) Italy
Tel. (+39) 039 2071.1 fax (+39) 039 2071 999

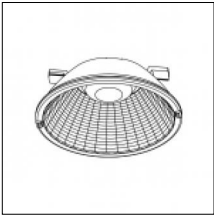
www.reggiani.net
contact@reggiani.net

Photometries



Luminaire constructed in conformity with Directives 2014/35/EU (LV), 2014/30/EU (EMC), 2009/125/EC (Ecodesign) with Regulations (EC) No 245/2009, (EU) No 347/2010 and (EU) 2015/1428 (for luminaires with fluorescent and metal halide lamps only), 2009/125/EC (Ecodesign) with Regulations (EU) No 1194/2012 and 2015/1428 (for LED luminaires only), 2011/65/EU (RoHS 2) and 2012/19/EU (WEEE).

Optics



Optic included - Code 0.35030.0000 - 80 mm Ø IOS reflector LL2 - LED

Finishing:

Description:

Narrow light beam. 80 mm Ø IOS reflector.
Narrow Narrow

Accessories



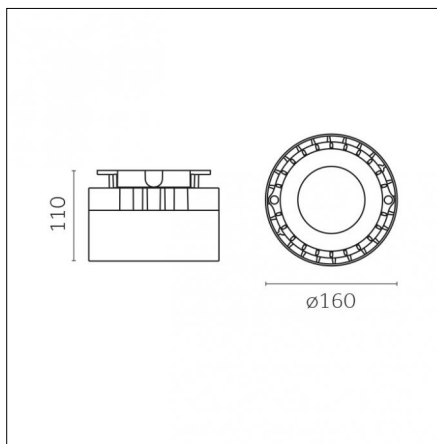
Code 0.35300.0000 - Mounting bracket to allow 0 to 90° adjustment of the projector

Type: Mounting

Finishing: Stainless steel

Lindro Round Surface mounted projector (IP66)

Outdoor | Wall- and ceiling-mounted luminaires | Lindro Round



Wide 32°

27

IP66 IK07



Risk 1



Code 0.GB13E.WW27 (Previous product code 0.BB13C.WW27)

Light source features

Number of light sources: 1

Source type: LED WW

Watt: 12W

Lm: 1935lm

Lm/W: 161lm/W

Kelvin/CRI: 3000K / >80

SDCM/L80 B10: < 3 / 50000

Electrical features

Driver included: YES

Driver position: integrated

Driver type: On-Off 220/240 Vac 50/60 Hz

Isolation class: Class II

Optical features

Beam angle: 32°

Interchangeable optic (IOS): YES

Physical features

Material: Die-cast aluminium

Mounting: Surface mounted

Fixing: Ceiling

Finishing: White gloss (Standard)

Weight: 2.2Kg

Luminaire constructed in conformity with Directives 2014/35/EU (LV), 2014/30/EU (EMC), 2009/125/EC (Ecodesign) with Regulations (EC) No 245/2009, (EU) No 347/2010 and (EU) 2015/1428 (for luminaires with fluorescent and metal halide lamps only), 2009/125/EC (Ecodesign) with Regulations (EU) No 1194/2012 and 2015/1428 (for LED luminaires only), 2011/65/EU (RoHS 2) and 2012/19/EU (WEEE).

Reggiani SPA Illuminazione

Viale Monza, 16 20845 Sovico (MB) Italy
Tel. (+39) 039 2071.1 fax (+39) 039 2071 999

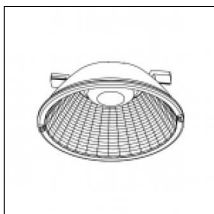
www.reggiani.net
contact@reggiani.net

Photometries



Luminaire constructed in conformity with Directives 2014/35/EU (LV), 2014/30/EU (EMC), 2009/125/EC (Ecodesign) with Regulations (EC) No 245/2009, (EU) No 347/2010 and (EU) 2015/1428 (for luminaires with fluorescent and metal halide lamps only), 2009/125/EC (Ecodesign) with Regulations (EU) No 1194/2012 and 2015/1428 (for LED luminaires only), 2011/65/EU (RoHS 2) and 2012/19/EU (WEEE).

Optics



Optic included - Code 0.35032.0000 - 80 mm Ø IOS reflector LL2 - LED

Finishing:

Description: Medium/wide light beam. 80 mm Ø IOS reflector.

Medium-wide Medium/wide

Accessories



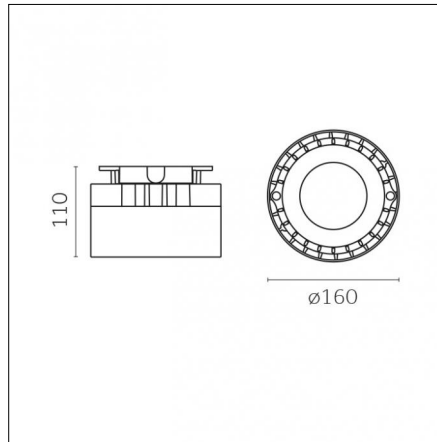
Code 0.35300.0000 - Mounting bracket to allow 0 to 90° adjustment of the projector

Type: Mounting

Finishing: Stainless steel

Lindro Round Surface mounted projector (IP66)

Outdoor | Wall- and ceiling-mounted luminaires | Lindro Round



Wide 56°

27

IP66 IK07



Risk 1



Code 0.GB13M.HQ27 (Previous product code 0.BB13E.HQ27)

Light source features

Number of light sources: 1

Source type: LED HQ

Watt: 12W

Lm: 1615lm

Lm/W: 135lm/W

Kelvin/CRI: 3000K / >90

SDCM/L80 B10: < 3 / 50000

Electrical features

Driver included: YES

Driver position: integrated

Driver type: On-Off 220/240 Vac 50/60 Hz

Isolation class: Class II

Optical features

Beam angle: 56°

Interchangeable optic (IOS): YES

Physical features

Material: Die-cast aluminium

Mounting: Surface mounted

Fixing: Ceiling

Finishing: White gloss (Standard)

Weight: 2.2Kg

Luminaire constructed in conformity with Directives 2014/35/EU (LV), 2014/30/EU (EMC), 2009/125/EC (Ecodesign) with Regulations (EC) No 245/2009, (EU) No 347/2010 and (EU) 2015/1428 (for luminaires with fluorescent and metal halide lamps only), 2009/125/EC (Ecodesign) with Regulations (EU) No 1194/2012 and 2015/1428 (for LED luminaires only), 2011/65/EU (RoHS 2) and 2012/19/EU (WEEE).

Reggiani SPA Illuminazione

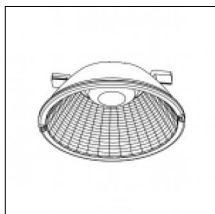
Viale Monza, 16 20845 Sovico (MB) Italy
Tel. (+39) 039 2071.1 fax (+39) 039 2071 999

www.reggiani.net
contact@reggiani.net

Photometries



Optics



Optic included - Code 0.35034.0000 - 80 mm Ø IOS reflector LL2 - LED

Finishing:

Description: Very wide light beam. 80 mm Ø IOS reflector.

Very wide Very wide

Accessories



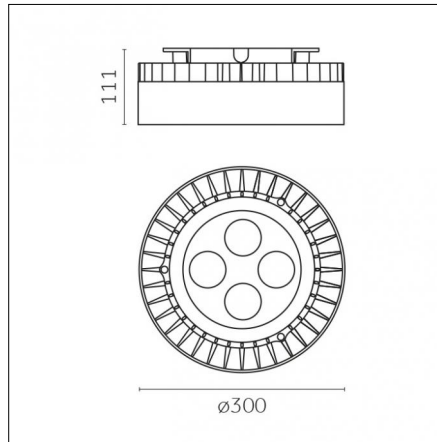
Code 0.35300.0000 - Mounting bracket to allow 0 to 90° adjustment of the projector

Type: Mounting

Finishing: Stainless steel

Lindro Round Surface mounted projector (IP66)

Outdoor | Wall- and ceiling-mounted luminaires | Lindro Round



Medium 21°

27

IP66 IK07



Risk 1



Code 0.HB1TB.HQ27 (Previous product code 0.DB1R0.HQ27)

Light source features

Number of light sources: 1

Source type: LED HQ

Watt: 4x12W

Lm: 6460lm

Lm/W: 86lm/W

Kelvin/CRI: 3000K / >90

SDCM/L80 B10: < 3 / 50000

Electrical features

Driver included: YES

Driver position: integrated

Driver type: On-Off 220/240 Vac 50/60 Hz

Isolation class: Class I

Optical features

Beam angle: 21°

Interchangeable optic (IOS): YES

Physical features

Material: Die-cast aluminium

Mounting: Surface mounted

Fixing: Ceiling

Finishing: White gloss (Standard)

Weight: 6.5Kg

Notes:

/

Luminaire constructed in conformity with Directives 2014/35/EU (LV), 2014/30/EU (EMC), 2009/125/EC (Ecodesign) with Regulations (EC) No 245/2009, (EU) No 347/2010 and (EU) 2015/1428 (for luminaires with fluorescent and metal halide lamps only), 2009/125/EC (Ecodesign) with Regulations (EU) No 1194/2012 and 2015/1428 (for LED luminaires only), 2011/65/EU (RoHS 2) and 2012/19/EU (WEEE).

Reggiani SPA Illuminazione

Viale Monza, 16 20845 Sovico (MB) Italy
Tel. (+39) 039 2071.1 fax (+39) 039 2071 999

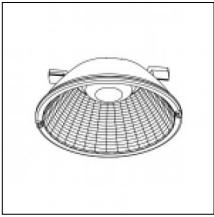
www.reggiani.net
contact@reggiani.net

Photometries



Luminaire constructed in conformity with Directives 2014/35/EU (LV), 2014/30/EU (EMC), 2009/125/EC (Ecodesign) with Regulations (EC) No 245/2009, (EU) No 347/2010 and (EU) 2015/1428 (for luminaires with fluorescent and metal halide lamps only), 2009/125/EC (Ecodesign) with Regulations (EU) No 1194/2012 and 2015/1428 (for LED luminaires only), 2011/65/EU (RoHS 2) and 2012/19/EU (WEEE).

Optics



Optic included - Code 0.35030.0000 - 80 mm Ø IOS reflector LL2 - LED

Finishing:

Description:

Narrow light beam. 80 mm Ø IOS reflector.
Narrow Narrow

Accessories



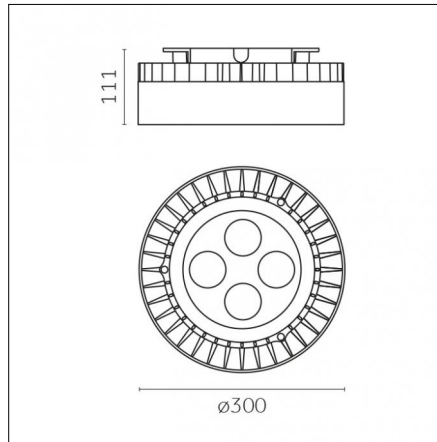
Code 0.35300.0000 - Mounting bracket to allow 0 to 90° adjustment of the projector

Type: Mounting

Finishing: Stainless steel

Lindro Round Surface mounted projector (IP66)

Outdoor | Wall- and ceiling-mounted luminaires | Lindro Round



Medium 25°

27

IP66 IK07



Risk 1



Code 0.HB1TD.NN27 (Previous product code 0.DB1TJ.NN27)

Light source features

Number of light sources: 1

Source type: LED NN

Watt: 4x12W

Lm: 8120lm

Lm/W: 128lm/W

Kelvin/CRI: 4000K / >80

SDCM/L80 B10: < 3 / 50000

Electrical features

Driver included: YES

Driver position: integrated

Driver type: On-Off 220/240 Vac 50/60 Hz

Isolation class: Class I

Optical features

Beam angle: 25°

Interchangeable optic (IOS): YES

Physical features

Material: Die-cast aluminium

Mounting: Surface mounted

Fixing: Ceiling

Finishing: White gloss (Standard)

Weight: 6.5Kg

Notes:

/

Luminaire constructed in conformity with Directives 2014/35/EU (LV), 2014/30/EU (EMC), 2009/125/EC (Ecodesign) with Regulations (EC) No 245/2009, (EU) No 347/2010 and (EU) 2015/1428 (for luminaires with fluorescent and metal halide lamps only), 2009/125/EC (Ecodesign) with Regulations (EU) No 1194/2012 and 2015/1428 (for LED luminaires only), 2011/65/EU (RoHS 2) and 2012/19/EU (WEEE).

Reggiani SPA Illuminazione

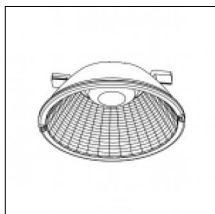
Viale Monza, 16 20845 Sovico (MB) Italy
Tel. (+39) 039 2071.1 fax (+39) 039 2071 999

www.reggiani.net
contact@reggiani.net

Photometries



Optics



Optic included - Code 0.35031.0000 - 80 mm Ø IOS reflector LL2 - LED

Finishing:

Description: Medium light beam. 80 mm Ø IOS reflector.

Medium Medium

Accessories



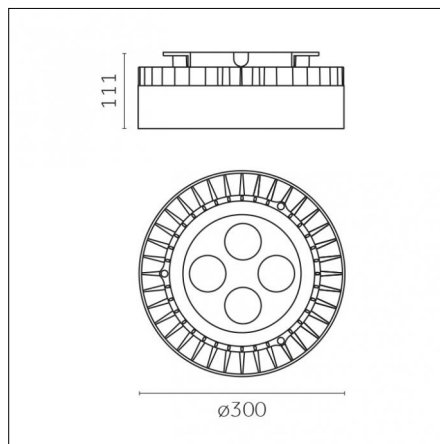
Code 0.35300.0000 - Mounting bracket to allow 0 to 90° adjustment of the projector

Type: Mounting

Finishing: Stainless steel

Lindro Round Surface mounted projector (IP66)

Outdoor | Wall- and ceiling-mounted luminaires | Lindro Round



Wide 71°

27

IP66 IK07



Risk 1



Code 0.HB1TM.HQ27 (Previous product code 0.DB1TX.HQ27)

Light source features

Number of light sources: 1

Source type: LED HQ

Watt: 4x12W

Lm: 6460lm

Lm/W: 86lm/W

Kelvin/CRI: 3000K / >90

SDCM/L80 B10: < 3 / 50000

Electrical features

Driver included: YES

Driver position: integrated

Driver type: On-Off 220/240 Vac 50/60 Hz

Isolation class: Class I

Optical features

Beam angle: 71°

Interchangeable optic (IOS): YES

Physical features

Material: Die-cast aluminium

Mounting: Surface mounted

Fixing: Ceiling

Finishing: White gloss (Standard)

Weight: 6.5Kg

Notes:

/

Luminaire constructed in conformity with Directives 2014/35/EU (LV), 2014/30/EU (EMC), 2009/125/EC (Ecodesign) with Regulations (EC) No 245/2009, (EU) No 347/2010 and (EU) 2015/1428 (for luminaires with fluorescent and metal halide lamps only), 2009/125/EC (Ecodesign) with Regulations (EU) No 1194/2012 and 2015/1428 (for LED luminaires only), 2011/65/EU (RoHS 2) and 2012/19/EU (WEEE).

Reggiani SPA Illuminazione

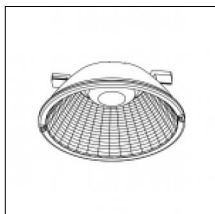
Viale Monza, 16 20845 Sovico (MB) Italy
Tel. (+39) 039 2071.1 fax (+39) 039 2071 999

www.reggiani.net
contact@reggiani.net

Photometries



Optics



Optic included - Code 0.35034.0000 - 80 mm Ø IOS reflector LL2 - LED

Finishing:

Description: Very wide light beam. 80 mm Ø IOS reflector.

Very wide Very wide

Accessories



Code 0.35300.0000 - Mounting bracket to allow 0 to 90° adjustment of the projector

Type: Mounting

Finishing: Stainless steel
