

## TECHNICAL DESCRIPTION

Atto S Jack is a miniature, display orientated LED spotlight that comes as standard in white, black and brushed aluminium finishes. It has four site changeable optics for flexible distribution. The narrow spot beam in our 1.1W 102lm module has a peak intensity of 794cd. There is a 360 degree bearing aided rotation and 180 degree constant torque tilt mechanism, both lockable. The luminaire is compatible with our Minipoint system that enables a plug and play setup where luminaires can be simply swapped to suit changing lighting requirements.

## MECHANICAL & ELECTRICAL

**CATEGORY** Interior use only IP20  
**MATERIAL** Aluminium | Brass  
**LOCKABLE** Pan & Tilt  
**ACCESSORIES** Snoots

**SYSTEMS** Minipoint  
**WEIGHT** 34g  
**FORWARD VOLTAGE** 3.2V MAX  
**CURRENT** 350mA

## FINISHES

**FINISHES** Brushed Aluminium | Black | White | Brass | Custom\*

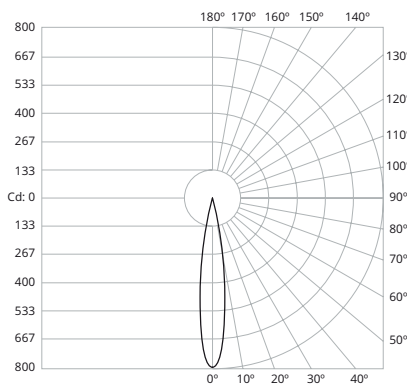
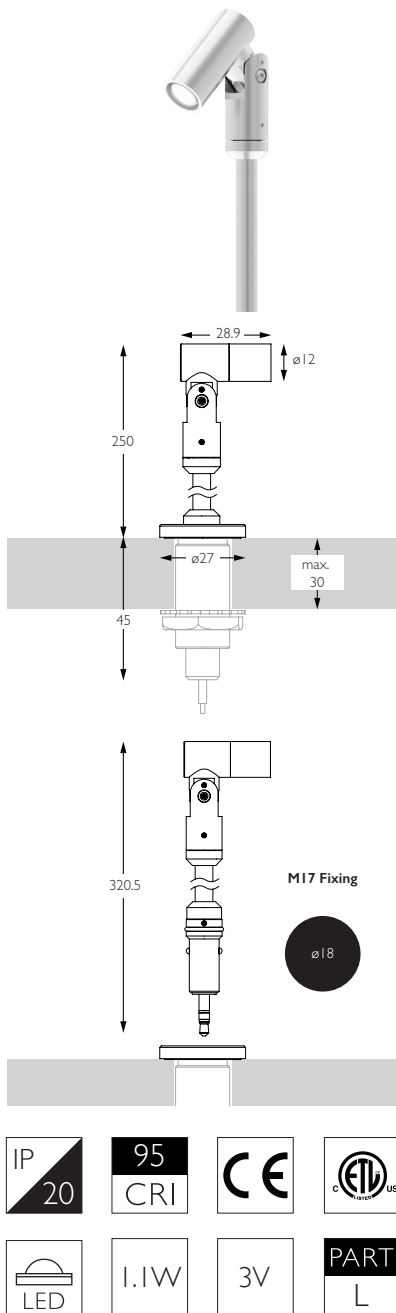
\* All Custom finishes are built and finished to order. These are subject to an extended lead time and MOQ

## OPTICAL

**SYSTEM POWER** 1.1W  
**MODULE OUTPUT** 102lm\*  
**ABSOLUTE OUTPUT** 94lm  
**LOR** 92  
**GEAR TYPE** Dimmable available

**COLOUR TEMPERATURE** 3000K\*  
**CRI** 95 TYP  
**TM-30** RF: 93 RG: 99  
**BEAM ANGLE** 16°

\*\* Photometry shown is correct for 3000K module. Please enquire for 2700K module output.



1.1W 16°		3000K LED	
0.25m	0.07m	12,701 lx	
0.50m	0.14m	3,175 lx	
1.00m	0.28m	794 lx	
2.00m	0.56m	198 lx	
3.00m	0.84m	88 lx	

	Brushed Aluminium	White 9010	Matte Anodised Black	Rubbed Bronze *	Polished Brass *	Brushed Brass *
Without Minipoint*	773-AL-XX9516	773-WH-XX9516	773-EBA-XX9516	773-RB-XX9516	773-PB-XX9516	773-SB-XX9516
With Minipoint	M-A-773-AL-XX9516	M-A-773-WH-XX9516	M-A-773-EBA-XX9516	M-A-773-RB-XX9516	M-A-773-PB-XX9516	M-A-773-SB-XX9516

\*A minipoint is required, if the individual code is used then a minipoint must be purchased separately

For 3000K Substitute XX with 30

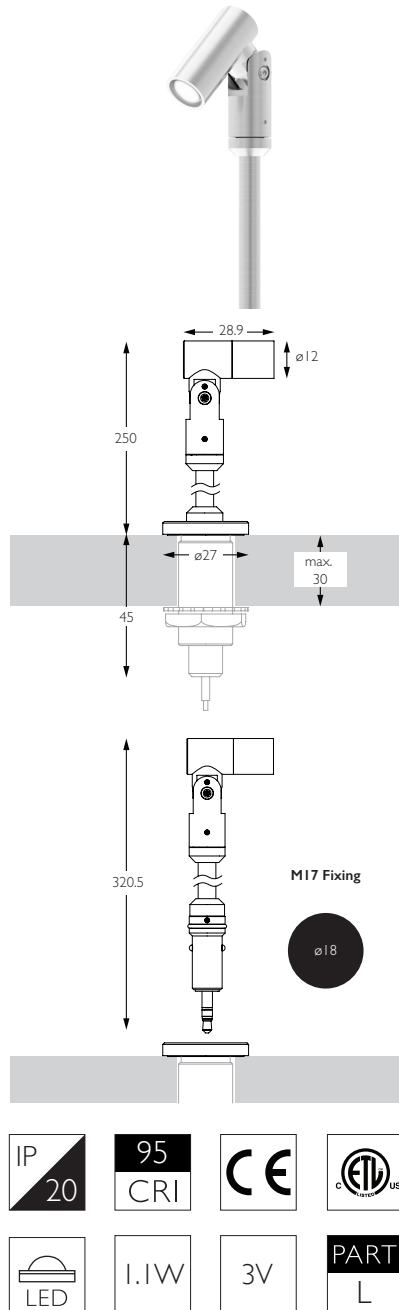
-

For 2700K Substitute XX with 27

MEDIUM

## TECHNICAL DESCRIPTION

Atto S Jack is a miniature, display orientated LED spotlight that comes as standard in white, black and brushed aluminium finishes. It has four site changeable optics for flexible distribution. The medium beam in our 1.1W 102lm module has a peak intensity of 359cd. There is a 360 degree bearing aided rotation and 180 degree constant torque tilt mechanism, both lockable. The luminaire is compatible with our Minipoint system that enables a plug and play setup where luminaires can be simply swapped to suit changing lighting requirements.



## MECHANICAL & ELECTRICAL

**CATEGORY** Interior use only IP20  
**MATERIAL** Aluminium | Brass  
**LOCKABLE** Pan & Tilt  
**ACCESSORIES** Snoots

**SYSTEMS** Minipoint  
**WEIGHT** 34g  
**FORWARD VOLTAGE** 3.2V MAX  
**CURRENT** 350mA

## FINISHES

**FINISHES** Brushed Aluminium | Black | White | Brass | Custom\*

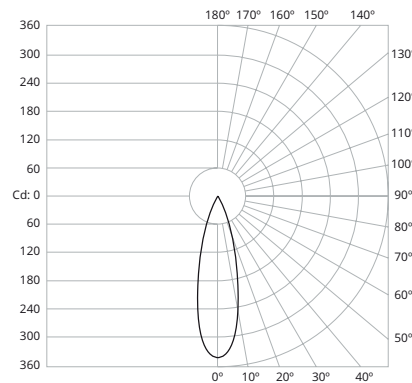
\* All Custom finishes are built and finished to order. These are subject to an extended lead time and MOQ

## OPTICAL

**SYSTEM POWER** 1.1W  
**MODULE OUTPUT** 102lm\*  
**ABSOLUTE OUTPUT** 92lm  
**LOR** 90  
**GEAR TYPE** Dimmable available

**COLOUR TEMPERATURE** 3000K\*  
**CRI** 95 TYP  
**TM-30** RF: 93 RG: 99  
**BEAM ANGLE** 23°

\*\* Photometry shown is correct for 3000K module. Please enquire for 2700K module output.



1.1W 23°		3000K LED	
0.25m	0.10m	5,745 lx	
0.50m	0.20m	1,436 lx	
1.00m	0.41m	359 lx	
2.00m	0.81m	90 lx	
3.00m	1.22m	40 lx	

	Brushed Aluminium	White 9010	Matte Anodised Black	Rubbed Bronze *	Polished Brass *	Brushed Brass *
Without Minipoint*	773-AL-XX9523	773-WH-XX9523	773-EBA-XX9523	773-RB-XX9523	773-PB-XX9523	773-SB-XX9523
With Minipoint	M-A-773-AL-XX9523	M-A-773-WH-XX9523	M-A-773-EBA-XX9523	M-A-773-RB-XX9523	M-A-773-PB-XX9523	M-A-773-SB-XX9523

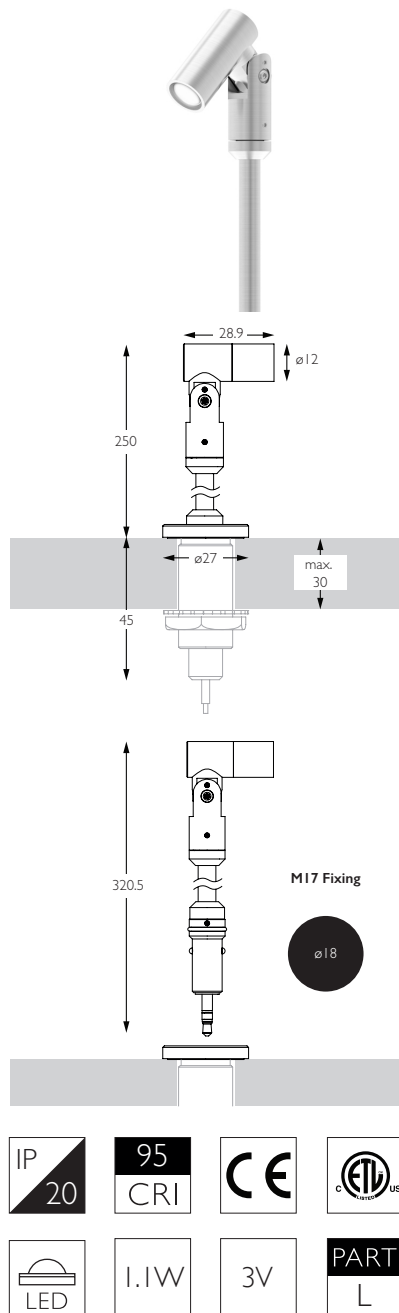
\*A minipoint is required, if the individual code is used then a minipoint must be purchased separately

For 3000K Substitute XX with 30

For 2700K Substitute XX with 27

## TECHNICAL DESCRIPTION

Atto S Jack is a miniature, display orientated LED spotlight that comes as standard in white, black and brushed aluminium finishes. It has four site changeable optics for flexible distribution. The flood beam in our 1.1W 102lm module has a peak intensity of 109cd. There is a 360 degree bearing aided rotation and 180 degree constant torque tilt mechanism, both lockable. The luminaire is compatible with our Minipoint system that enables a plug and play setup where luminaires can be simply swapped to suit changing lighting requirements.



## MECHANICAL & ELECTRICAL

**CATEGORY** Interior use only IP20  
**MATERIAL** Aluminium | Brass  
**LOCKABLE** Pan & Tilt  
**ACCESSORIES** Snoots

**SYSTEMS** Minipoint  
**WEIGHT** 34g  
**FORWARD VOLTAGE** 3.2V MAX  
**CURRENT** 350mA

## FINISHES

**FINISHES** Brushed Aluminium | Black | White | Brass | Custom\*

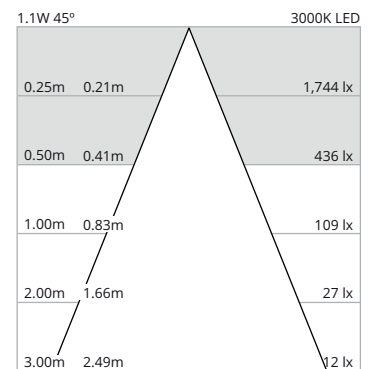
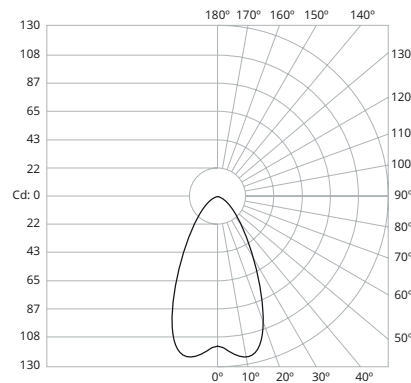
\* All Custom finishes are built and finished to order. These are subject to an extended lead time and MOQ

## OPTICAL

**SYSTEM POWER** 1.1W  
**MODULE OUTPUT** 102lm\*  
**ABSOLUTE OUTPUT** 93lm  
**LOR** 91  
**GEAR TYPE** Dimmable available

**COLOUR TEMPERATURE** 3000K\*  
**CRI** 95 TYP  
**TM-30** RF: 93 RG: 99  
**BEAM ANGLE** 45°

\*\* Photometry shown is correct for 3000K module. Please enquire for 2700K module output.



	Brushed Aluminium	White 9010	Matte Anodised Black	Rubbed Bronze *	Polished Brass *	Brushed Brass *
Without Minipoint*	773-AL-XX9545	773-WH-XX9545	773-EBA-XX9545	773-RB-XX9545	773-PB-XX9545	773-SB-XX9545
With Minipoint	M-A-773-AL-XX9545	M-A-773-WH-XX9545	M-A-773-EBA-XX9545	M-A-773-RB-XX9545	M-A-773-PB-XX9545	M-A-773-SB-XX9545

\*A minipoint is required, if the individual code is used then a minipoint must be purchased separately

For 3000K Substitute XX with 30

For 2700K Substitute XX with 27

## WIDE FLOOD

### TECHNICAL DESCRIPTION

Atto S Jack is a miniature, display orientated LED spotlight that comes as standard in white, black and brushed aluminium finishes. It has four site changeable optics for flexible distribution. The wide flood beam in our 1.1W 102lm module has a peak intensity of 26cd. There is a 360 degree bearing aided rotation and 180 degree constant torque tilt mechanism, both lockable. The luminaire is compatible with our Minipoint system that enables a plug and play setup where luminaires can be simply swapped to suit changing lighting requirements.

### MECHANICAL & ELECTRICAL

**CATEGORY** Interior use only IP20  
**MATERIAL** Aluminium | Brass  
**LOCKABLE** Pan & Tilt  
**ACCESSORIES** Snoots

**SYSTEMS** Minipoint  
**WEIGHT** 34g  
**FORWARD VOLTAGE** 3.2V MAX  
**CURRENT** 350mA

### FINISHES

**FINISHES** Brushed Aluminium | Black | White | Brass | Custom\*

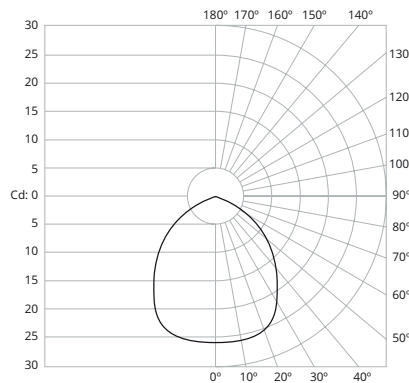
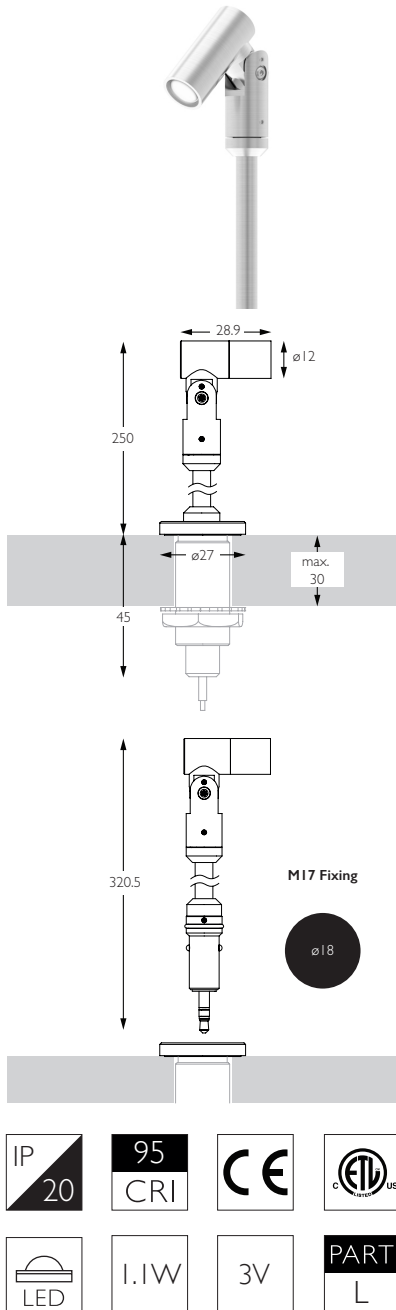
\* All Custom finishes are built and finished to order. These are subject to an extended lead time and MOQ

### OPTICAL

**SYSTEM POWER** 1.1W  
**MODULE OUTPUT** 102lm\*  
**ABSOLUTE OUTPUT** 69lm  
**LOR** 68  
**GEAR TYPE** Dimmable available

**COLOUR TEMPERATURE** 3000K\*  
**CRI** 95 TYP  
**TM-30** RF: 93 RG: 99  
**BEAM ANGLE** 90°

\*\* Photometry shown is correct for 3000K module. Please enquire for 2700K module output.



1.1W 90°		3000K LED	
0.25m	0.50m	416 lx	
0.50m	1.00m	104 lx	
1.00m	2.00m	26 lx	
2.00m	4.00m	7 lx	
3.00m	6.00m	3 lx	

	Brushed Aluminium	White 9010	Matte Anodised Black	Rubbed Bronze *	Polished Brass *	Brushed Brass *
Without Minipoint*	773-AL-XX9590	773-WH-XX9590	773-EBA-XX9590	773-RB-XX9590	773-PB-XX9590	773-SB-XX9590
With Minipoint	M-A-773-AL-XX9590	M-A-773-WH-XX9590	M-A-773-EBA-XX9590	M-A-773-RB-XX9590	M-A-773-PB-XX9590	M-A-773-SB-XX9590

\*A minipoint is required, if the individual code is used then a minipoint must be purchased separately

For 3000K Substitute XX with 30

For 2700K Substitute XX with 27