

A low profile, high power linear LED luminaire with upto 50w per m of output.

## LIGHT OUTPUT

CCT/LED Colour (K)	2700
CRI	80
Luminaire Lumens	853
Optical Data/Beam Angle (°)	Diffused
LED Binning	3 SDCM

## ELECTRICAL

Watts per metre (W/m)	50
Input Voltage	24 VDC (23V min, 25V max)
Connection Type	TBC
Maximum Chain Length (mm)	3000
Approx. Power Consumption (W)	15
Dimmable	Yes
Max Luminaire Length (mm)	1205

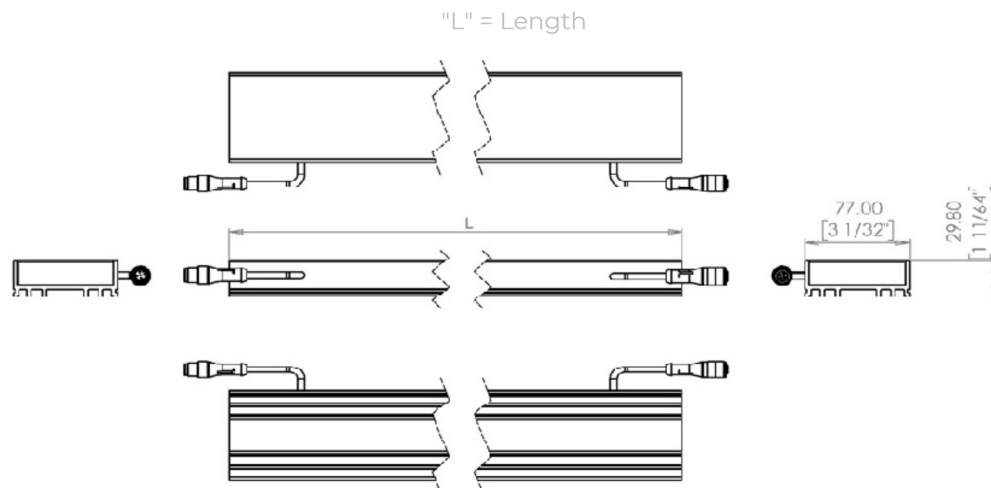
## PHYSICAL & ENVIRONMENTAL

Finish	Silver Anodised Housing
Length (mm)	305
Ambient Storage Temperature (°C)	-30 to +85
Ambient Operating Temperature (°C)	-10 to +50
IP Rating	IP67
IK Rating	N/A
LED Pitch (mm)	8.33
Cable Exit/Entry	Side Exit
Weight (g)	N/A

## PRODUCT FEATURES

- LED lighting capabilities
- Adjustable brackets or clips
- IP67 rated with cable management
- Side exit cables
- Proprietary potting technology
- 77 x 29.8 mm / 3.03" x 1.17" cross-section

## DIMENSIONS

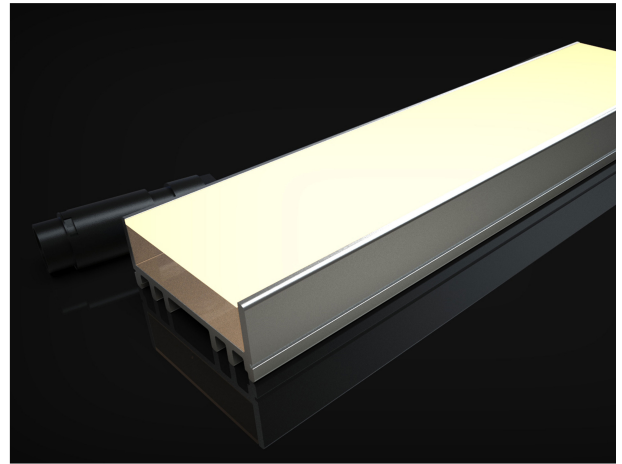


PART NUMBER: VEX-LUMAERA-77 - 2700K - 305 - 50W - IP67 - DIF

Provided data are typical values. Due to tolerances of the production process, figures for light output, electrical data etc can vary up to 10%. The Tc-point must be measured in thermal equilibrium in accordance with IEC EN 60598-1.

Copyright © Vexica. All rights reserved. For informational purposes only.

Not a warranty or specification. Data subject to change without prior notice.



## SPECIFICATION TEXT

A robust aluminium based LED luminaire incorporating two rows of LEDs. Manufactured in the UK using advanced and resistant polyurethane resin components for durability and wet location use providing an IP67 rating as standard. This unique product is designed to connect end to end to graze a building facade, features or wall lighting detail. This product offers superb light output from an homogeneous light emitting surface.