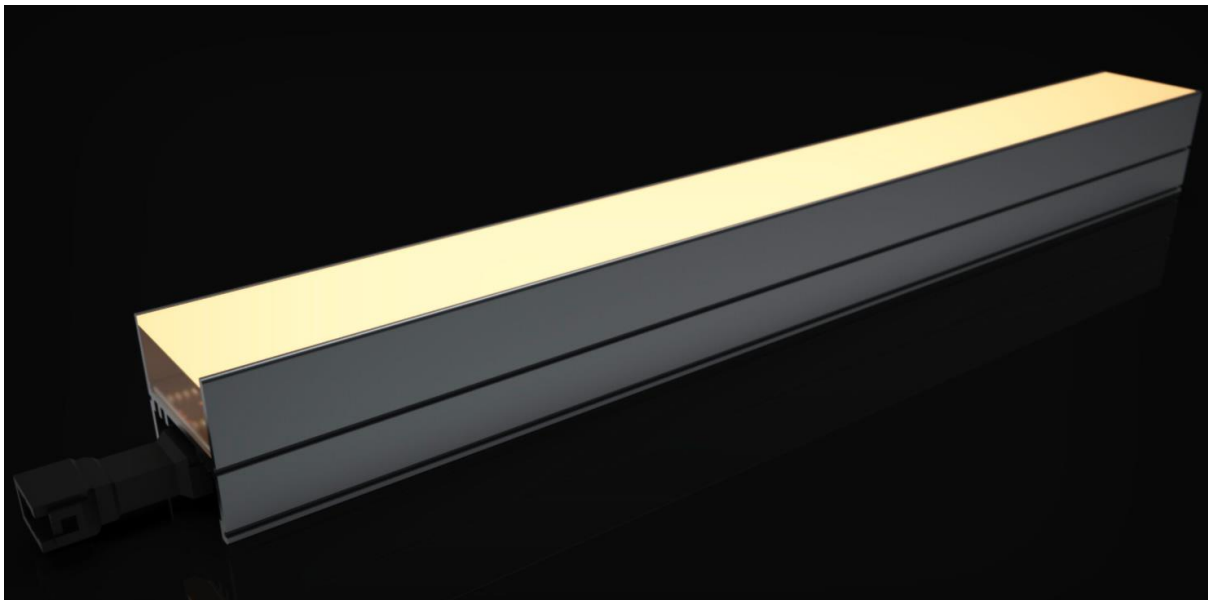




# VEX-LUMAERA-44

## On-Site Manual



**Please ensure you have read the following instructions thoroughly and can undertake the required actions before commencing installation.**

**If you have any queries, please consult our Technical Support Department before proceeding.**

VERSION A

THE VEXICA GROUP LIMITED

TYPHOON HOUSE, MOXON WAY, SERBURN-IN-ELMET, LEEDS, LS25 6FB

## Contents

Scope..... 2

Revision History ..... 2

Installation Instructions: ..... 3

Wiring..... 4

    Single Colour ..... 4

    RGB..... 4

    Dynamic RGB..... 4

    Tuneable White..... 4

Extending Vexica Standard Input Cables ..... 5

Cautions: ..... 6

## Scope

This manual will detail the installation of a VEX-LUMAERA-44.

## Revision History

| Rev | Date       | Comment          | Author |
|-----|------------|------------------|--------|
| A   | 23/04/2019 | Document created | JP     |
|     |            |                  |        |
|     |            |                  |        |

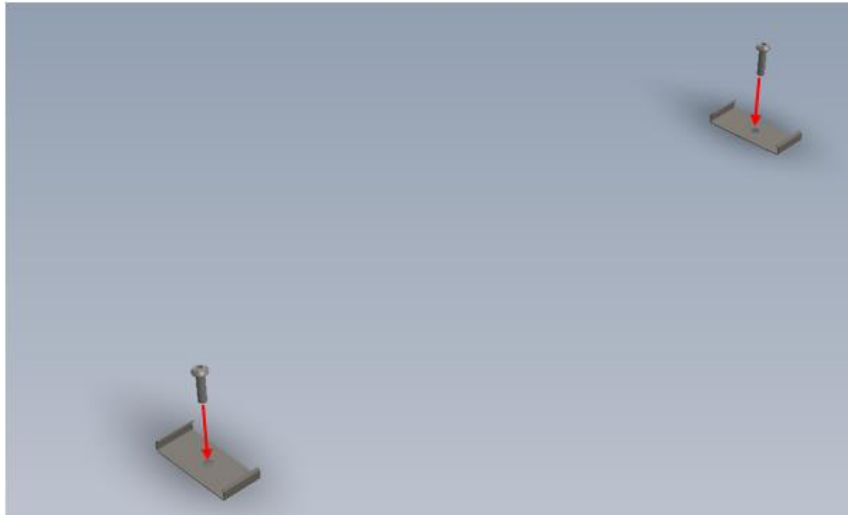
## Approved By

| Person            | Date | Signature |
|-------------------|------|-----------|
| Technical Manager |      |           |

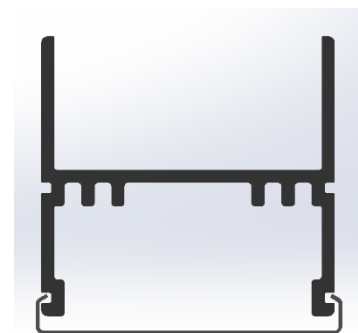
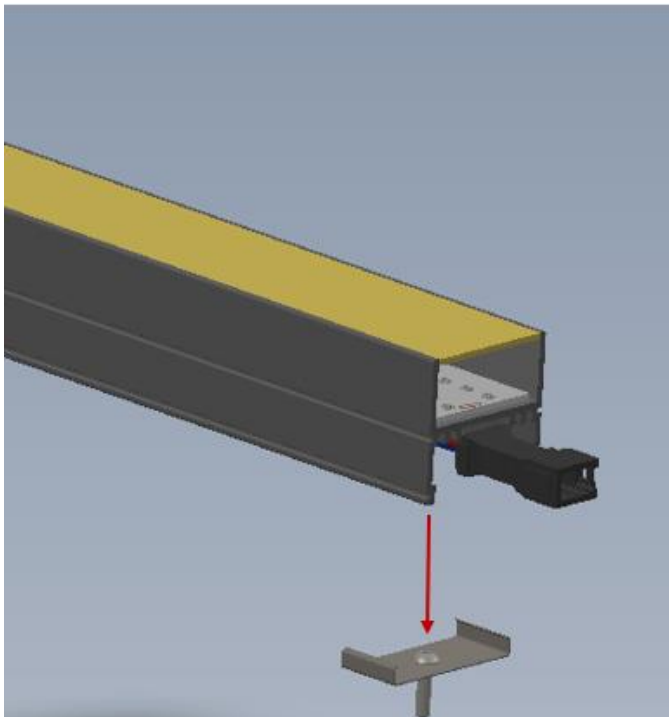
### Installation Instructions:

Please read these instructions carefully before installation and make sure you fully understand them. Pay attention to how the luminaire is wired. If you require any further guidance, please contact Vexica.

Fix the mounting brackets to the desired surface using screws appropriate for the surface you are mounting to (these are not provided). Each VEX-LUMAERA-44 should have at least three brackets per meter



Place the VEX-LUMERA-44 into the brackets and press firmly until the unit is secure. Ensure that the clips have fully engaged the slot on the extrusion.



## Wiring



**WARNING!** Risk of electrical shock. Disconnect power before servicing or installation.

If multiple units are to be connected in a “daisy chain” the max length of the Daisy chain is 5M.

Insert terminator into the last luminaire in the daisy chain to retain IP rating.

Connect starter cable to the first fitting in the daisy chain and to the LED Driver following the appropriate table below:

### Single Colour

| Driver | Input Cable Colour |
|--------|--------------------|
| GND    | Black              |
| +24VDC | Red                |

### RGB

| Driver               | Input Cable Colour |
|----------------------|--------------------|
| LED Supply + (24VDC) | Black              |
| Group 1 GND (Red)    | Red                |
| Group 2 GND (BLUE)   | Blue               |
| Group 3 GND (GREEN)  | Green              |

### Dynamic RGB

| Driver  | Input Cable Colour |
|---------|--------------------|
| +24VDC  | Red                |
| DATA IN | Green              |
| GND     | Black              |

### Tuneable White

| Driver | Input Cable Colour |
|--------|--------------------|
| +24VDC | Red                |
| CH1    | Black              |
| CH2    | Blue               |

Extension cable CSA and length should be calculated to ensure voltage to the luminaire does not drop below that specified in the datasheet. The installer must use appropriate IP rated connectors for any extensions to retain warranty (refer to page 5 for more information on extending cables).

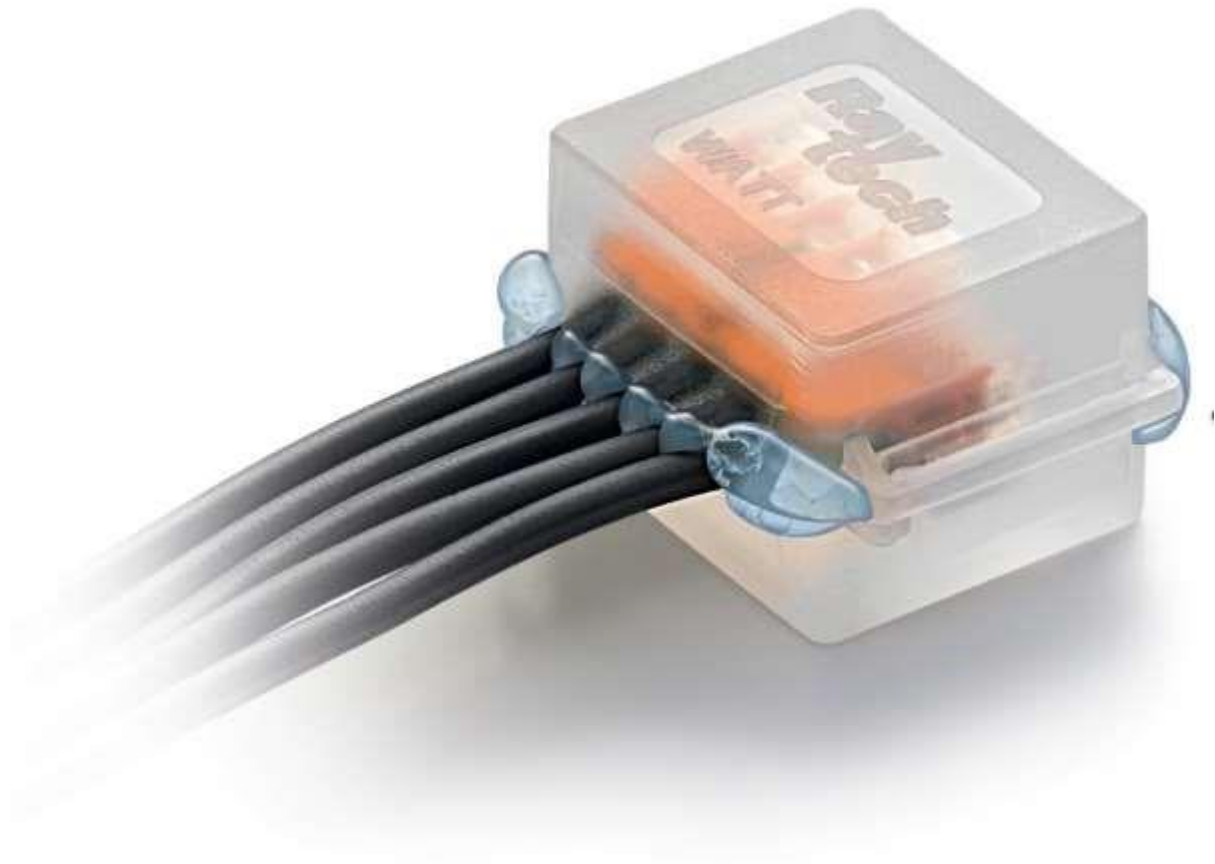
**DO NOT REVERSE POLARITY**

**DO NOT EXCEED THE MAXIMUM RUN LENGTH OF FIVE METERS**

## Extending Vexica Standard Input Cables

When extending cables or making any connections on site always ensure the connection has an appropriate IP rating.

Vexica recommends the starter cables are linked to extensions cables with gel boxes. When using extending sheathed cables ensure that the outer sheath is encased in the gel box to retain the IP rating.



For more details visit: <http://www.raytech.it/catalogo/en/gel-box-line.pdf>

**Cautions:**

**PLEASE TAKE NOTE OF LUMINAIRE AND DRIVER INGRESS PROTECTION RATING WHEN DECIDING LOCATION**

**MAKE SURE ALL CONNECTIONS MADE ARE TIGHT WITH NO LOOSE STRANDS AND WITH APPROPRIATE IP RATING.**

**DO NOT HOT PLUG OR REVERSE POLARITY.**

**ALWAYS ALLOW SUFFICIENT SLACK ON THE SUPPLY CABLE TO REMOVE LUMINAIRE FROM ITS POSITION FOR ANY FURTHER MAINTENANCE**

**MAKE SURE SUPPLY CABLE IS NOT IN CONTACT WITH ANY SHARP OBJECTS DO NOT LEAVE CABLE OR ANY CONNECTOR EXPOSED TO RAIN/MOISTURE FOR ANY PERIOD.**

## **CAUTION!**

- *All images are representative and may not be of the actual product supplied depending on options specified when ordering.*
- *Avoid staring directly into the light beam.*
- *A certified electrician should install the product following local regulations.*
- *Take extreme care when working with mains voltages.*
- *There are no user serviceable parts inside this unit. Do not attempt any repairs yourself, doing so will void your manufactures warranty.*
- *During operation, the housing may become hot, avoid touching the unit with bare hands while in use.*
- *Do not allow the product to operate in ambient temperatures above the maximum ambient stated on the datasheet; doing so will void any warranty.*
- *Do not use aggressive cleaning agents! Any warranty will not cover any chemical damage.*
- **DO NOT "HOT PLUG" THE LED FITTINGS OR DRIVERS AS THIS WILL INVALIDATE THE WARRANTY!**