

Linear

# LiNi BLADE-H 504 (DIR)

## Fixture Guide

# KKDÖ

Indoor | Suspended | Mid output up to 880lm/m (267lm/ft)

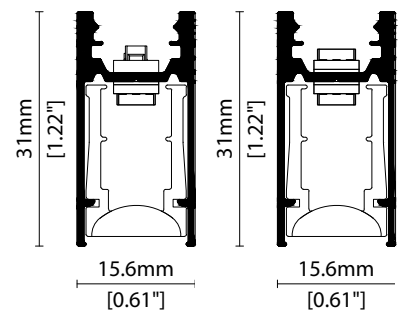


### Key applications

- ✓ Ceiling
- ✓ Downlighting
- ✓ Indirect lighting
- ✓ Interior
- ✓ Uplighting

### Key features

- ✓ Custom lengths
- ✓ Decorative
- ✓ Diffusion: Homogenous
- ✓ Direct view
- ✓ Extensive CCT range
- ✓ IP20
- ✓ Lensed
- ✓ Output mid
- ✓ Small profile



### MOUNTING METHODS



KKS-06 Suspension mounting kit

Linear

# LiNi BLADE-H 504 (DIR)

## Specification sheet



<b>Dimension</b>	H31/W15.6/L220-2020mm (H1.22/W0.61/L8.66-79.53in)	
<b>PCB increment</b>	100mm increment/2000mm max (3.94in increment/78.74in max)	
<b>LED pitch</b>	16.7mm - 60LED/m (0.66in - 18LED/ft)	
<b>Chip</b>	<b>s/e-line</b>	Toyoda Gosei
	<b>k-line</b>	Samsung
<b>Beam angle</b>	DIR - 110° (Diffused Cover)/ 15° (KKLN-01 Lens) IND - 105° (No cover)	
<b>IND option</b>	352/504	
<b>Colours</b>	<b>s/e-line</b>	2100K/2300K/2500K/2700K/3000K/3200K/3500K/4000K/5000K
	<b>k-line</b>	1900K/2100K/2500K/2700K/3000K/3500K/4000K/5000K
<b>Bin/Step</b>	<b>s-line</b>	2-step MacAdam ellipse
	<b>e/k-line</b>	3-step MacAdam ellipse
<b>CRI</b>	≥ 90	
<b>Lifetime</b>	50,000 hours @ 25°C (35,000 hours @ 77°F)	
<b>Operating temp</b>	T <sub>a</sub> = -25 to 60°C (T <sub>c</sub> max = 78.1°C) T <sub>a</sub> = -13 to 140°F (T <sub>c</sub> max = 172.58°F)	
<b>IP rating</b>	IP20	
<b>Finish</b>	Matt White/Matt Black/Matt Gray/Matt Silver/Bronze Powder coating	
<b>Cover/lens</b>	DIR - Diffused/15°lens accessory, IND - No Cover	
<b>Mounting</b>	Suspended via suspension kit	
<b>Power feed</b>	Hardwire tails	
<b>Control</b>	0-10V/1-10V/DMX/DALI	
<b>Combination</b>	(Direct) 504 (Indirect) 352, 504	



### LED Grading Key

#### Exclusive Grade

**s-line\***  
2-step CCT range

\*KKDC tuned  
CCT range

**e-line\***  
3-step CCT range

#### Base Grade

**k-line**  
3-step commercial range  
Energy Star CCTs

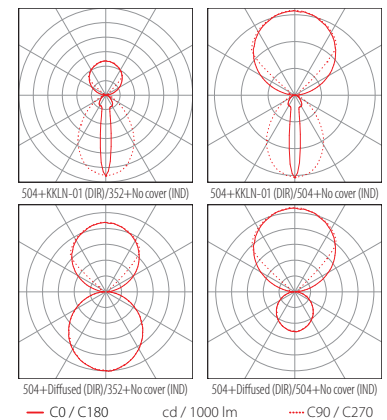
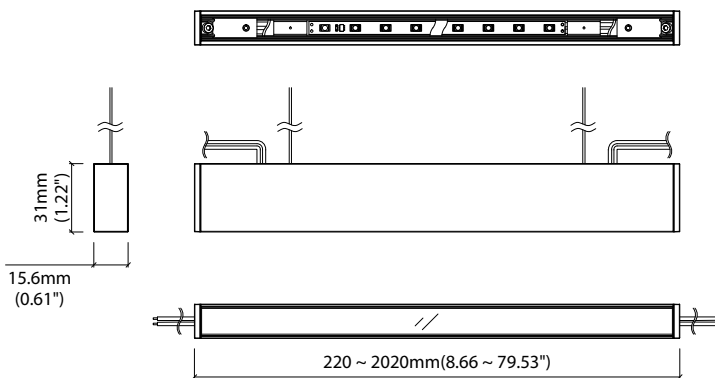
### PERFORMANCE DATA @ 3000K

Power consumption	Supply voltage	Supply current
17.1W/m (5.21W/ft)	24V DC	0.99A/m(0.3A/ft)

### Colour Rendering Index (CRI)

	R1	R2	R3	R4	R5	R6	R7	R8	R9	R10	R11	R12	R13	R14
<b>k-line</b>	94	97	98	93	93	96	92	83	60	93	94	82	95	99

	504+KKLN-01 (DIR)	504+Diffused (DIR)	352+No Cover (IND)	504+No Cover (IND)	CRI	R9	Rf	Rg
<b>s/e-line</b>	580lm/m (177lm/ft) 46lm/W	290lm/m (88lm/ft) 23lm/W	320lm/m (98lm/ft) 69.7lm/W	880lm/m (267lm/ft) 77.9lm/W	92	50	-	-
<b>k-line</b>	540lm/m (165lm/ft) 43lm/W	300lm/m (91lm/ft) 24lm/W	320lm/m (96lm/ft) 68.7lm/W	860lm/m (263lm/ft) 76.7lm/W	92	60	-	-



Data derived from independent UKAS / IESNA LM-79-08 accredited testing of production samples.

See KKDC website for product document updates.

[www.kkdc.lighting](http://www.kkdc.lighting)

LiNiBLADEH504S-02.03EN-20200225

Linear

# LiNi BLADE-H 504 (DIR)

## Code Table

# KKDC

### FIXTURE

Model	Finish	Cover/Lens*	Grade**	LED	Colour (CCT)	Length Availability***	IP	Cable Length	Power Feed	Input		
LiNi BLADE-H BH	Matt White Paint	MW	C	DIR 504 + IND 352	1900K <sup>1</sup>	m 220-2020mm 100mm increments	IP20	3000mm/ 118.11"	Suspension single no sheath tail <sup>2</sup>	500H	DC 24V g	
	Matt Silver Paint	MS			2100K							
	Matt Grey Paint	MG	S	DIR & IND 504	2500K	i 8.66-79.53in 3.94in increments						
	Matt Black Paint	MB			2700K							
	Bronze Paint	BP			3000K							(Specify length code OR total run length)
					3500K							
		4000K										
		5000K										

<sup>1</sup> 1900K is only available in k-line<sup>2</sup> Transparent suspension wire\* Refer to **Lens Options** on **Options** pages\*\* Refer to **LED Grading Key** on **Specification sheet** page\*\*\* Refer to **Length Availability List** or enter total run length instead of length code

### Code Example:

BH	-	MW	-	C	-	s	-	5432	-	35	-	m	520	-	20	-	0300	-	500H	-	g
LiNi BLADE-H		Matt White Paint		Diffused (DIR) No cover (IND)				DIR 504 + IND 352		3500K		520mm		IP20		300mm/11.81"		Suspension single no sheath tail		DC 24V	

### ACCESSORIES

#### Mounting Accessories

**KKSW-06** Suspension Mounting Kit

\* Refer to **Mounting options** on **Accessories** pages

#### Connection Accessories

**KKCN-01** 2 PIN male & female 50mm (1.97in) pair

**KKCN-03** 2 PIN male & female 300mm (11.81in) pair

**KKCN-06** 2 PIN 300mm (11.81in) extension lead

\* Refer to **Power feed** on **Accessories** pages

#### PSU/Driver

0-10V/1-10V/Dali/DMX

\* Refer to **Driver/PSU Options** page for details or provide requirement and KKDC to offer the suitable option

### LED ENGINE VARIANTS (LED STRIP TYPE)

Colour	Output	LED	Lumen/m	Lumen/ft	W/m	W/ft	Spec Doc	Length	Increment
Single CCT	Mid	352	1170	356	20.5	6.25	LiNi BLADE-H 352	270-2020mm/10.63-79.53in	83.3mm/3.28in
	Mid	504	880	267	17.1	5.21	LiNi BLADE-H 504	220-2020mm/8.66-79.53in	100mm/3.94in
	Mid	508	820	250	22.1	6.74	LiNi BLADE-H 508	234-2020mm/9.21-79.53in	71.4mm/2.81in
	Low	007	470	140	15.5	4.72	LiNi BLADE-H 007	270-2020mm/10.63-79.53in	41.7mm/1.64in

\* Performance data: (IND), s/e-line, No cover, 3000K

# LiNi BLADE-H 504 (DIR)

## Length Availability List



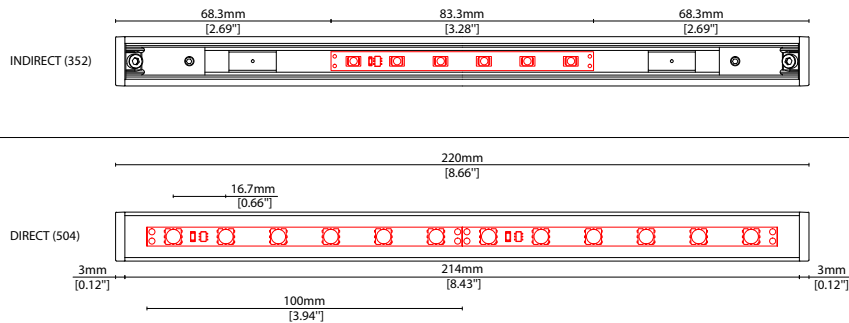
### LiNi BLADE-H 504 (DIR) + 352 (IND)

Length Code		Fixture Length <sup>1</sup>		LED Strip <sup>2</sup>		End Cap Dimension <sup>3</sup>		Wattage (W)	Output (lm)	
Metric	Imperial(US)	Metric	Imperial(US)	Metric	Imperial(US)	Metric	Imperial(US)		3000K (Test Data)	Range Data
m0220	i0009	220mm	8.66in	200mm	7.87in	5mm	0.20in	2.96	147	71-153
m0320	i0013	320mm	12.60in	300mm	11.81in	5mm	0.20in	4.67	236	119-246
m0420	i0017	420mm	16.54in	400mm	15.75in	5mm	0.20in	6.37	326	168-339
m0520	i0020	520mm	20.47in	500mm	19.69in	5mm	0.20in	8.08	415	216-432
m0620	i0024	620mm	24.41in	600mm	23.62in	5mm	0.20in	10.25	537	289-558
m0720	i0028	720mm	28.35in	700mm	27.56in	5mm	0.20in	11.96	626	337-651
m0820	i0032	820mm	32.28in	800mm	31.50in	5mm	0.20in	13.67	716	386-744
m0920	i0036	920mm	36.22in	900mm	35.43in	5mm	0.20in	15.37	805	434-837
m1020	i0040	1020mm	40.16in	1000mm	39.37in	5mm	0.20in	17.08	894	482-930
m1120	i0044	1120mm	44.09in	1100mm	43.31in	5mm	0.20in	19.25	1016	555-1056
m1220	i0048	1220mm	48.03in	1200mm	47.24in	5mm	0.20in	20.96	1105	603-1150
m1320	i0052	1320mm	51.97in	1300mm	51.18in	5mm	0.20in	22.67	1195	652-1243
m1420	i0056	1420mm	55.91in	1400mm	55.12in	5mm	0.20in	24.37	1284	700-1336
m1520	i0060	1520mm	59.84in	1500mm	59.06in	5mm	0.20in	26.08	1374	748-1429
m1620	i0064	1620mm	63.78in	1600mm	62.99in	5mm	0.20in	28.25	1495	821-1555
m1720	i0068	1720mm	67.72in	1700mm	66.93in	5mm	0.20in	29.96	1584	870-1648
m1820	i0072	1820mm	71.65in	1800mm	70.87in	5mm	0.20in	31.67	1674	918-1741
m1920	i0076	1920mm	75.59in	1900mm	74.80in	5mm	0.20in	33.37	1763	966-1834
m2020	i0080	2020mm	79.53in	2000mm	78.74in	5mm	0.20in	35.08	1853	1014-1927

<sup>1</sup> Actual total overall length of light fixture (LED strip + end caps + void/wire hole)

<sup>2</sup> Actual length of PCB strip

<sup>3</sup> Actual length of 2x end caps



# LiNi BLADE-H 504 (DIR)

## Length Availability List



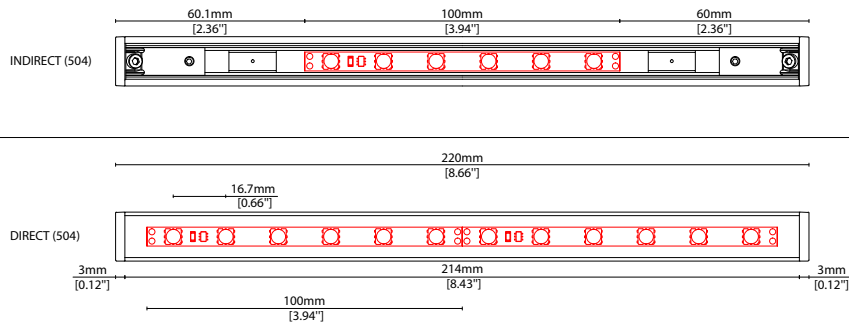
### LiNi BLADE-H 504 (DIR) + 504 (IND)

Length Code		Fixture Length <sup>1</sup>		LED Strip <sup>2</sup>		End Cap Dimension <sup>3</sup>		Wattage (W)	Output (lm)	
Metric	Imperial(US)	Metric	Imperial(US)	Metric	Imperial(US)	Metric	Imperial(US)		3000K (Test Data)	Range Data
m0220	i0009	220mm	8.66in	200mm	7.87in	5mm	0.20in	3.75	212	123-221
m0320	i0013	320mm	12.60in	300mm	11.81in	5mm	0.20in	6.25	367	222-382
m0420	i0017	420mm	16.54in	400mm	15.75in	5mm	0.20in	8.75	522	322-543
m0520	i0020	520mm	20.47in	500mm	19.69in	5mm	0.20in	11.25	677	422-704
m0620	i0024	620mm	24.41in	600mm	23.62in	5mm	0.20in	13.75	832	522-865
m0720	i0028	720mm	28.35in	700mm	27.56in	5mm	0.20in	16.25	987	621-1026
m0820	i0032	820mm	32.28in	800mm	31.50in	5mm	0.20in	18.75	1142	721-1187
m0920	i0036	920mm	36.22in	900mm	35.43in	5mm	0.20in	21.25	1297	821-1348
m1020	i0040	1020mm	40.16in	1000mm	39.37in	5mm	0.20in	23.75	1451	920-1509
m1120	i0044	1120mm	44.09in	1100mm	43.31in	5mm	0.20in	26.25	1606	1020-1671
m1220	i0048	1220mm	48.03in	1200mm	47.24in	5mm	0.20in	28.75	1761	1120-1832
m1320	i0052	1320mm	51.97in	1300mm	51.18in	5mm	0.20in	31.25	1916	1219-1993
m1420	i0056	1420mm	55.91in	1400mm	55.12in	5mm	0.20in	33.75	2071	1319-2154
m1520	i0060	1520mm	59.84in	1500mm	59.06in	5mm	0.20in	36.25	2226	1419-2315
m1620	i0064	1620mm	63.78in	1600mm	62.99in	5mm	0.20in	38.75	2381	1519-2476
m1720	i0068	1720mm	67.72in	1700mm	66.93in	5mm	0.20in	41.25	2536	1618-2637
m1820	i0072	1820mm	71.65in	1800mm	70.87in	5mm	0.20in	43.75	2690	1718-2798
m1920	i0076	1920mm	75.59in	1900mm	74.80in	5mm	0.20in	46.25	2845	1818-2959
m2020	i0080	2020mm	79.53in	2000mm	78.74in	5mm	0.20in	48.75	3000	1917-3120

<sup>1</sup> Actual total overall length of light fixture (LED strip + end caps + void/wire hole)

<sup>2</sup> Actual length of PCB strip

<sup>3</sup> Actual length of 2x end caps



Linear

# LiNi BLADE-H 504 (DIR) Options

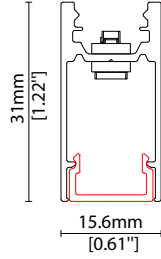
# KKDC

## LENS OPTIONS

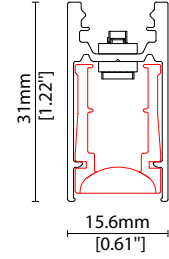
\* Options are an integral part of the fixture ordering codes. Please refer to **Code Table** pages.



C Diffused



S KKLN-01D



Linear

# LiNi BLADE-H 504 (DIR)

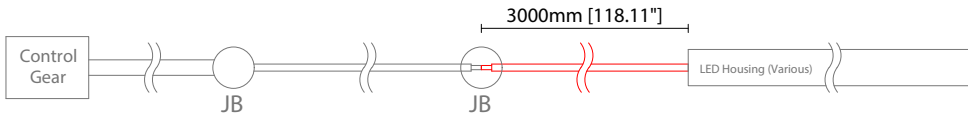
## Options

# KKDC

### POWER FEED OPTIONS

\* Options are an integral part of the fixture ordering codes. Please refer to **Code Table** pages.

3000 S00H 3000mm (118.11") Suspension single no sheath tail



#### Key

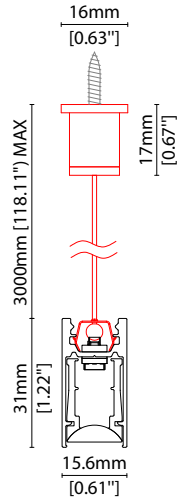
Control Gear Power supply, sub-controllers & control systems  
JB Junction box / cable connection

### MOUNTING OPTIONS

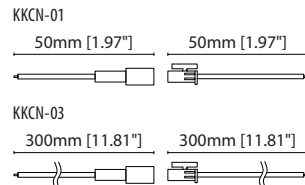
Note: Accessories are to be ordered separately with corresponding code shown below.



**KKSU-06**  
Suspension mounting kit  
(allow 2 per metre/40in)  
S/Steel finish



### POWER FEED



**KKN-01** 50mm (1.97in) pair  
**KKN-03** 300mm (11.81in) pair  
2 PIN male + female connector set



**KKN-06**  
2 PIN 300mm (11.81in) extension lead

### KKDC CONTROL



IP20  
Black plastic housing  
L164/W64/H34mm  
(L6.46/W2.52/H1.34in)

**KKDM-05** 1-10V  
visDIM dimmable sub-controller



IP20  
Black plastic housing  
L164/W64/H34mm  
(L6.46/W2.52/H1.34in)

**KKSC-03A** DMX (screw terminal)  
visDIM dimmable sub-controller



Linear

# LiNi BLADE-H 504 (DIR) Accessories

# KKDÖ

## KKDC CONTROL (CONTINUED)



IP20  
Black plastic housing  
L164/W64/H34mm  
(L6.46/W2.52/H1.34in)

**KKSC-03B** DMX (RJ45)  
visDIM dimmable sub-controller



IP20  
Plastic housing  
L170/W59/H29mm  
(L6.69/W2.32/H1.14in)

**KKDL-02** DALI  
visDIM dimmable sub-controller  
(4 x 8A max @ 12-36V)



IP20  
Plastic housing  
L166/W53.4/H23mm  
(L6.54/W2.10/H0.91in)

**KKDL-03** DALI  
visDIM dimmable sub-controller  
(4 x 5A max @ 12-36V)

### AVAILABLE PSU OPTIONS

Control Mode	PSU (Order Code)	Input Voltage AC	Output Voltage DC	Rated Output Current	Rated Power	Dim %	IP Rating
Switched	CEN-60-24	90-295V	24V	2.5A	60W	-	IP67
	HLG-60H-24	90-305V	24V	2.5A	60W	-	IP67
	HLG-100H-24	90-305V	24V	4.0A	100W	-	IP67
	HLG-150H-24	90-305V	24V	6.3A	150W	-	IP67
	HLG-240H-24	90-305V	24V	10A	240W	-	IP67
0-10V (1-10V)	PWM-40-24	90-305V	24V	1.67A	40W	100-0.15 (100-10)	IP67
	PWM-60-24	90-305V	24V	2.5A	60W	100-0.15 (100-10)	IP67
	PWM-90-24	90-305V	24V	3.67A	90W	100-0.15 (100-10)	IP67
	PWM-120-24	90-305V	24V	5.0A	120W	100-0.15 (100-10)	IP67
DALI	LIN100A1	120-277V	24V	1A per channel	100W	100-0.1	IP66/IP40
DMX RGB	LIN100A1	120-277V	24V	1.33A per channel	100W	100-0.1	IP66/IP40
DMX RGBW	LIN100A1	120-277A	24V	1A per channel	100W	100-0.1	IP66/IP40

### Flicker Free Options - Combination of PSU+ sub-controller

Control Mode	PSU (Order Code)	Sub-controller (Order Code)	Input Voltage AC	Output Voltage DC	Rated Output Current	Rated Power	Dim %	IP Rating PSU/ Sub-controller
0-10V or 1-10V	CEN-60-24	KKDM-05	90-295V	24V	2.5A	60W	100-0.9	IP67/IP20
	HLG-60H-24	KKDM-05	90-295V	24V	2.5A	60W	100-0.9	IP67/IP20
	HLG-100H-24	KKDM-05	90-295V	24V	4.0A	100W	100-0.9	IP67/IP20
	HLG-150H-24	KKDM-05	90-295V	24V	6.3A	150W	100-0.9	IP67/IP20
	HLG-240H-24	KKDM-05	90-295V	24V	10.0A	240W	100-0.9	IP67/IP20
	CEN-60-24	KKDL-02/03	90-295V	24V	2.5A	60W	100-0.1	IP67/IP20
DALI	HLG-60H-24	KKDL-02/03	90-305V	24V	2.5A	60W	100-0.1	IP67/IP20
	HLG-100H-24	KKDL-02/03	90-305V	24V	4.0A	100W	100-0.1	IP67/IP20
	HLG-150H-24	KKDL-02/03	90-305V	24V	6.3A	150W	100-0.1	IP67/IP20
	HLG-240H-24	KKDL-02/03	90-305V	24V	10.0A	240W	100-0.1	IP67/IP20
DMX RGB	CEN-60-24	KKSC-03	90-295V	24V	2.5A	60W	100-0.9	IP67/IP20
	HLG-60H-24	KKSC-03	90-305V	24V	2.5A	60W	100-0.9	IP67/IP20
	HLG-100H-24	KKSC-03	90-305V	24V	4A	100W	100-0.9	IP67/IP20
	HLG-150H-24	KKSC-03	90-305V	24V	6.3A	150W	100-0.9	IP67/IP20
	HLG-240H-24	KKSC-03	90-305V	24V	10.0A	240W	100-0.9	IP67/IP20

<sup>1</sup> The items shown above cover the most frequently used specification but does not exhaust the possible options

<sup>2</sup> PSU and/or driver can be chosen from the table, or KKDC may recommend the best option upon receipt of the controls requirement and installation environment

<sup>3</sup> Electrical shop drawing will include detailed information of PSU and relevant control drivers

<sup>4</sup> Cut sheets are available on the controls section of [www.kkdc.lighting](http://www.kkdc.lighting) or upon request