

Indoor | Surface | Output 70lm per single spot unit



Key applications

- ✓ Cabinet & furniture
- ✓ Retail display
- ✓ Display case
- ✓ Shelving display
- ✓ Interior
- ✓ Under cabinet

Key features

- ✓ Adjustable
- ✓ High lumen efficacy
- ✓ Diffusion: spoting
- ✓ IP20
- ✓ Dry area
- ✓ Lensed
- ✓ Form factor: small
- ✓ Output low: 1-500lm

TWIGGY TRACK

Specification sheet



Dimension	L60/W25/H49.5/Ø23mm (L2.36/W0.98/H1.95/Ø0.91 in)
Chip	Nichia
Beam angle	10°~40°(Adjustable)
Colours	h-line 3000K/4000K
Bin/Step	3-step MacAdam ellipse
CRI	≥90
Lifetime	50,000 hours @ 25°C (50,000 hours @ 77°F)
Operating temp	T _a = -20 to 35°C (T _c max = 60°C) T _a = -4 to 95°F (T _c max = 140 ° F)
IP rating	IP20
Finish	Black Anodized
Cover/lens	10°~40°(Adjustable)
Mounting	Rail Bracket
Power feed	Hardwire tails
Control	Non Dimming



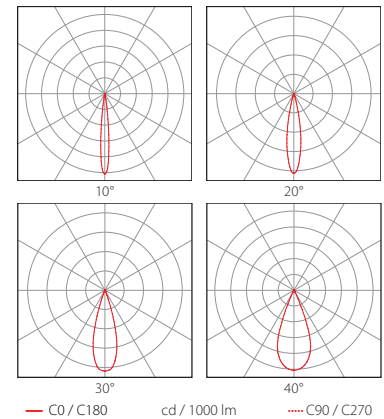
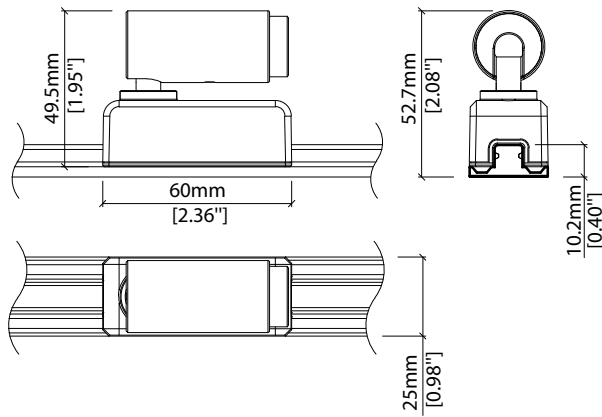
PERFORMANCE DATA @ 3000K

Power consumption	Supply voltage	Supply current
2W	24V DC	0.083A

Adjustable(@40°)

CRI R9 Rf Rg

h-line	70lm 35lm/W
---------------	----------------



Data derived from independent UKAS/IESNA LM-79-08 accredited testing of production samples.

TWIGGY TRACK

Code Table



FIXTURE

Model	Finish	Cover	Grade	Colour (CCT)	IP	Cable Length	Power Feed	Lens	Control Type	Input											
TWIGGY TRACK	OETT	Black Anodised	BA	No Cover	X	h	h	3000K	30	IP20	20	1000mm (39.4in)	1000	Single no sheath tail	S00X	Adjustable (10-40°)	A4	No Controller	5	DC 24V	g
								4000K	40												

Code Example:

OETT	-	BA	-	X	-	h	-	30	-	20	-	1000	-	S00X	-	A4	-	5	-	g
TWIGGY TRACK		Black Anodised		No Cover		h		3000K		IP20		1000mm (39.4in)		Single no sheath tail		Adjustable (10-40°)		No Controller		DC 24V

ACCESSORIES

Mounting Accessories

KKTR-01-0600	TWIGGY TRACK Rail Length 600mm
KKTR-01-0900	TWIGGY TRACK Rail Length 900mm
KKTR-01-1200	TWIGGY TRACK Rail Length 1200mm

* Refer to **Mounting options** on **Accessories** pages

DC Socket

KKJB-10	TWIGGY TRACK DC Socket
---------	------------------------

* Refer to **DC Socket** on **Accessories** pages

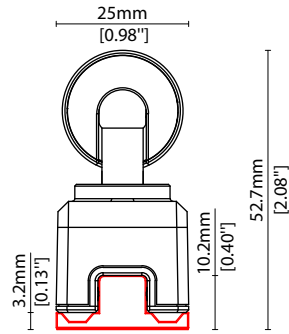
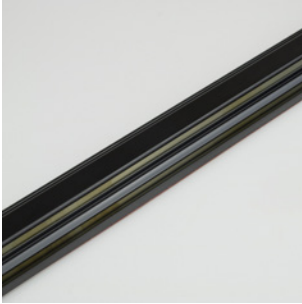
LED ENGINE VARIANTS (LED STRIP TYPE)

Luminaire	Output	Lumen/module	W	Spec Doc	Dimension
TWIGGY TRACK	Low	70	2	TWIGGY TRACK	L60/W25/H49.5/ø23mm L2.36/W0.98/H1.95/ø0.91 in

* Performance data: h-line, Adjustable @ 40°, 3000K

MOUNTING OPTIONS

Note: Accessories are to be ordered separately with corresponding code shown below.

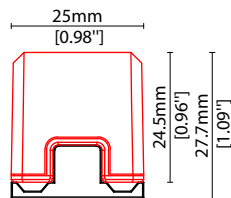


TWIGGY 24V Track Rail
Black finish

Track available in 3 length options,
600mm/900mm/1200mm.

KKTR-01-0600	600mm (23.6in)
KKTR-01-0900	900mm (35.4in)
KKTR-01-1200	1200mm (47.2in)

POWER FEED



KKJB-10 DC Power feed socket
24.5x25mm (0.96x0.98in)
Black finish