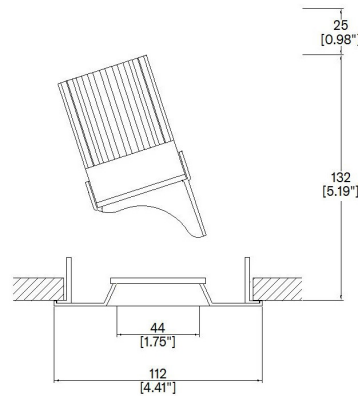


## ProSpex PlusColour Bevel Accent Trim



112mm (4.41") overall trim diameter. Gear driven tilt and adjustment. 360° rotation. Up to 45° tilt. Available with standard trim kit or plaster-in kit for flush appearance. Family of matching products also available. Required depth height + 25mm^



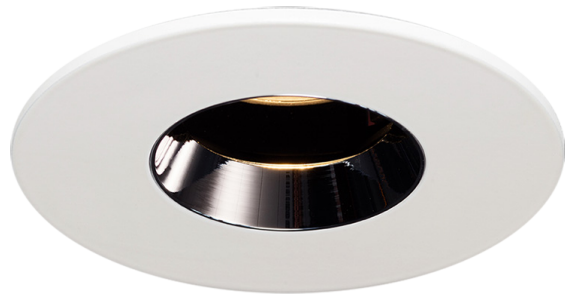
093+13-C-LED-TR  
Cut-out 102mm Ø

LED Source	LED51/2	LED51/2	LED51/2
CCT	3000K	3000K	3000K
Drive Current	350mA	350mA	350mA
Power inc Driver	13.6W	13.6W	13.6W
Beam Angle	12°	24°	38°
Delivered Lumens	675	721	823
Delivered Intensisty cd	10252	4159	2483
Efficacy lm/w	50	53	61
Forward Volt	36V	36V	36V
CRI	≥90 CRI	≥90 CRI	≥90 CRI

## Plus Colour Bevel Inserts



Copper



Polished Chrome



Bronze



Satin Gold



Satin Nickel

Project Ref: \_\_\_\_\_

Location Ref: \_\_\_\_\_

Fixture Order Code: 093+13-C-LED-TR - [ ] - [ ] - [ ] - [ ]

Fixture  
093+13-C-LED-TR PlusColour Bevel Accent Trim with LED51

Colour Insert  
CP Copper  
CH Polished Chrome  
BZ Bronze  
SG Satin Gold  
SN Satin Nickel

Finish  
WH White  
BK Black  
RAL Custom RAL Colour\*

IP Rating  
44 IP44

Emergency  
E Maintained 3hr Emergency  
ED Maintained 3hr DALI Self Test  
ES Maintained 3hr Self Test



LED Order Code: LED51/2 - [ ] - [ ] - [ ]

LED  
LED51/2 LED50 ONE GEN2

CCT  
927 90 CRI 2700K  
930 90 CRI 3000K  
940 90 CRI 4000K

Beam  
12 12°  
24 24°  
38 38°

Protocol  
S Non-Dim  
A Analogue (0-10v)  
P Phase  
D DALI  
B Bluetooth\*\*



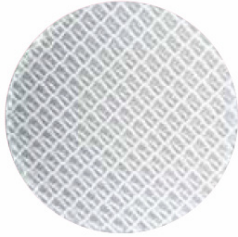
**Honeycomb Louvre**



**Diffusing Lens**



**Frosted Lens**



**Heavy Spread Lens**



**Linear Spread Lens**



**Warm Tone**

Accessories Order Code:

**Louvre/Lens**

- LL45 Honeycomb Louvre
- LLCC Warm Tone Lens
- LLUV UV Lens
- LLDF Diffusing Lens
- LLFR Frosted Lens
- LLLS Linear Spread Lens
- LLHS Heavy Spread Lens

## Technical Details

\*Custom RAL code must be specified. Custom RAL colours can increase prices and lead times

Dimming. Whilst Lucent can offer the majority of its luminaires with various dimming options, it remains the responsibility of the specifier/installer to check and ensure compatibility of any control equipment used. Additional cabling may be required depending on the dimming protocol specified.

\*\*Bluetooth (wireless) is the communication method. The exact dimming protocol must be confirmed to allow the selection of suitable drivers or bluetooth devices.

^ Depth indicated is the minimum recess depth for the luminaire with a remote mounted LED driver. Installing a driver through either the luminaire cut-out or installation kit may require additional recess depth, please refer to the relevant luminaire installation instructions for further details. Data correct at time of publishing

First Fix Requirement. Luminaire comprised of fixture body with ceiling trim and installation kit, which is to be fitted into the ceiling once finished. Ensure correct alignment of the installation kit before final assembly (see luminaire installation instructions for details)

IP Rating. Tested from underside of the ceiling

It is the policy of Lucent Lighting to continually review and improve its products and therefore reserve the right to change any details of product or withdraw specifications without prior notice.

Luminaires designed to comply with EN60598 and all other standards.

This specification sheet superseded all previous versions.

All intellectual property rights pertaining to the product described above and to this document are owned by or licensed to Lucent Lighting Ltd.

We reserve the right to take whatever action is necessary to protect those intellectual property rights.

Please notify Lucent Lighting Ltd of any inaccuracies immediately. E&OE

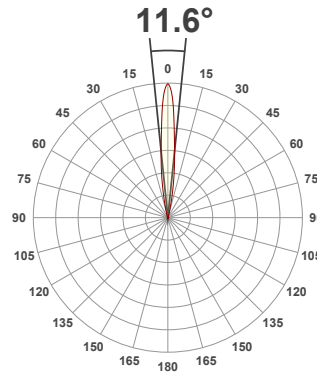
**Light efficiency:**



**Light quality:**



**Color temperature:**



**Product name:**

**PlusBevel Accent - LED51  
GEN2, 3000K, 12°, 350mA**

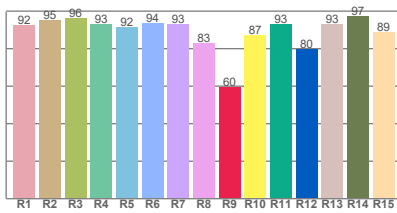
**Item number:**

**090+13-LED51/2-30-12-350mA**

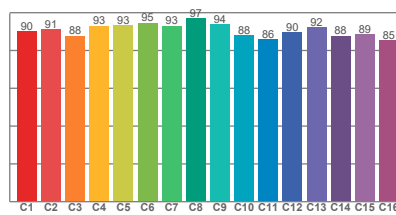
**Delivered information for above  
fixture and LED combination.**

**Output: 675 Lumen Peak intensity: 10252 cd Power consumption: 13.6**

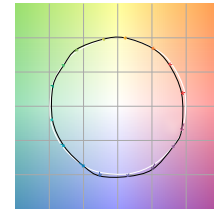
**CRI R values**



**TM30 C Values**

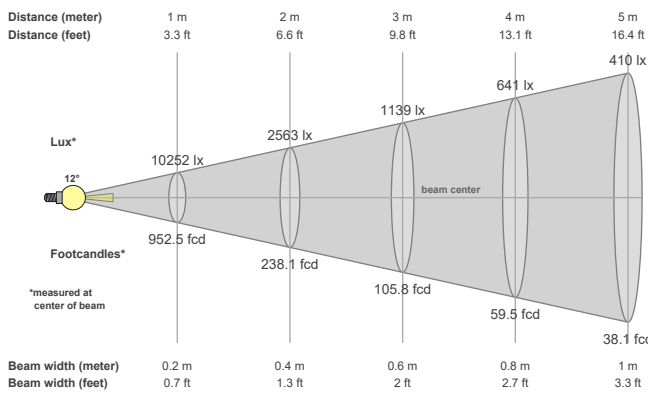


**Color vector graphics**



Color temperature	Color rendering index	Red component	Color fidelity	Color gamut	Color quality scale	Color coordinate cie 1931	Color coordinate cie 1931	Color coordinate	Color coordinate	Color deviation from black body
CCT	CRI	CRI R9	TM30 Rf	TM30 Rg	CQS	x	y	u	v	Δuv
3000 K	92.2	59.6	90.7	99.8	90.5	0.437	0.404	0.248	0.347	0.0002

**Beam details**



**Beam angels**

Beam angle 50%	Field angle 10%	Cutoff angle 2,5%
11.6°	25.3°	35.8°

**Beam intensities**

Peak intensity	Int. ratio in 120° cone	Int. ratio in 90° cone
10252 cd	99.5%	99.3%

**Beam intensities from 1-20m**

1m	2m	3m	4m	5m	6m	7m	8m	9m	10m	11m	12m	13m	14m	15m	16m	17m	18m	19m	20m
3.3ft	6.6ft	9.8ft	13.1ft	16.4ft	19.7ft	23ft	26.2ft	29.5ft	32.8ft	36.1ft	39.4ft	42.7ft	45.9ft	49.2ft	52.5ft	55.8ft	59.1ft	62.3ft	65.6ft
10252lx	2563lx	1139lx	641lx	410lx	285lx	209lx	160lx	127lx	103lx	85lx	71lx	61lx	52lx	46lx	40lx	35lx	32lx	28lx	26lx
952.5fcd	238.1fcd	105.8fcd	59.5fcd	38.1fcd	26.5fcd	19.4fcd	14.9fcd	11.8fcd	9.5fcd	7.9fcd	6.6fcd	5.6fcd	4.9fcd	4.2fcd	3.7fcd	3.3fcd	2.9fcd	2.6fcd	2.4fcd

The above information is for 3000K colour temperature, for specific module information please see LED spec located on our website

For information regarding other colour temperatures please use the following factors for lumen output and candelas:

2700K = 1  
4000K = 1.084

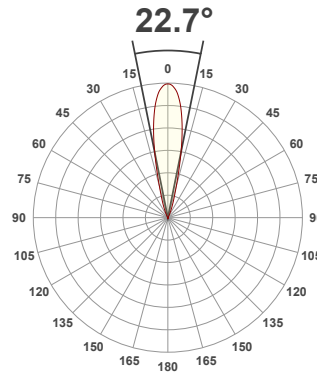
**Light efficiency:**



**Light quality:**



**Color temperature:**



**Product name:**

**PlusBevel Accent - LED51 GEN2, 3000K, 24°, 350mA**

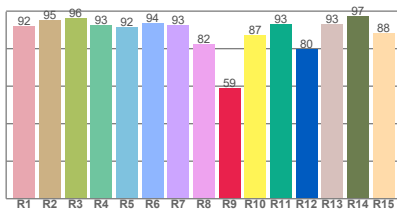
**Item number:**

**090+13-LED51/2-30-24-350mA**

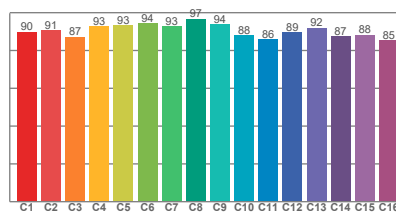
**Delivered information for above fixture and LED combination.**

**Output: 721 Lumen Peak intensity: 4159 cd Power consumption: 13.6**

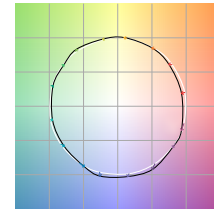
**CRI R values**



**TM30 C Values**

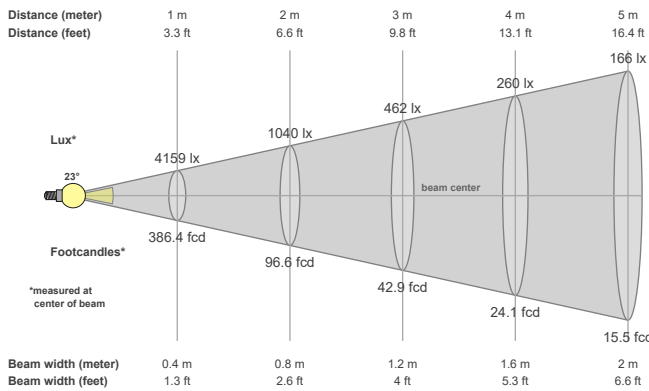


**Color vector graphics**



Color temperature	Color rendering index	Red component	Color fidelity	Color gamut	Color quality scale	Color coordinate cie 1931	Color coordinate cie 1931	Color coordinate	Color coordinate	Color deviation from black body
CCT	CRI	CRI R9	TM30 Rf	TM30 Rg	CQS	x	y	u	v	Δuv
3000 K	92.1	58.8	90.5	99.9	90.3	0.437	0.404	0.249	0.347	-0.0002

**Beam details**



**Beam angles**

Beam angle 50%	Field angle 10%	Cutoff angle 2,5%
22.7°	39.9°	53.5°

**Beam intensities**

Peak intensity	Int. ratio in 120° cone	Int. ratio in 90° cone
4159 cd	99.7%	99.6%

**Beam intensities from 1-20m**

1m	2m	3m	4m	5m	6m	7m	8m	9m	10m	11m	12m	13m	14m	15m	16m	17m	18m	19m	20m
3.3ft	6.6ft	9.8ft	13.1ft	16.4ft	19.7ft	23ft	26.2ft	29.5ft	32.8ft	36.1ft	39.4ft	42.7ft	45.9ft	49.2ft	52.5ft	55.8ft	59.1ft	62.3ft	65.6ft
4159lx	1040lx	462lx	260lx	166lx	116lx	85lx	65lx	51lx	42lx	34lx	29lx	25lx	21lx	18lx	16lx	14lx	13lx	12lx	10lx
386.4fcd	96.6fcd	42.9fcd	24.1fcd	15.5fcd	10.7fcd	7.9fcd	6fcd	4.8fcd	3.9fcd	3.2fcd	2.7fcd	2.3fcd	2fcd	1.7fcd	1.5fcd	1.3fcd	1.2fcd	1.1fcd	1fcd

The above information is for 3000K colour temperature, for specific module information please see LED spec located on our website

For information regarding other colour temperatures please use the following factors for lumen output and candelas:

2700K = 1  
4000K = 1.084

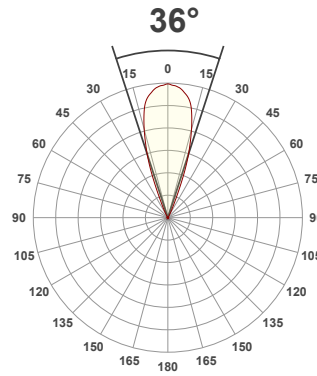
**Light efficiency:**



**Light quality:**



**Color temperature:**



**Product name:**

**PlusBevel Accent - LED51  
GEN2, 3000K, 38°, 350mA**

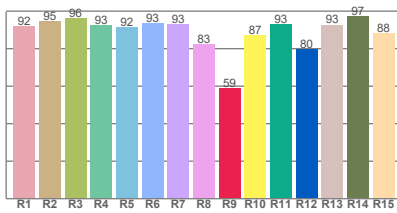
**Item number:**

**090+13-LED51/2-30-38-350mA**

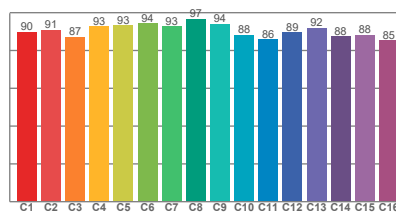
**Delivered information for above  
fixture and LED combination.**

**Output: 823 Lumen Peak intensity: 2483 cd Power consumption: 13.6**

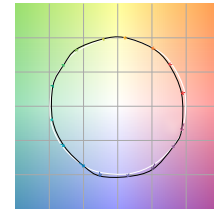
**CRI R values**



**TM30 C Values**

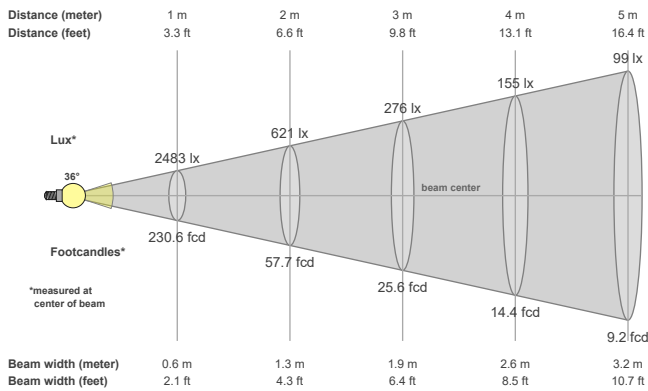


**Color vector graphics**



Color temperature	Color rendering index	Red component	Color fidelity	Color gamut	Color quality scale	Color coordinate cie 1931	Color coordinate cie 1931	Color coordinate	Color coordinate	Color deviation from black body
CCT	CRI	CRI R9	TM30 Rf	TM30 Rg	CQS	x	y	u	v	Δuv
3000 K	92.0	58.9	90.5	100.0	90.3	0.437	0.404	0.249	0.347	0.0002

**Beam details**



**Beam angles**

Beam angle 50%	Field angle 10%	Cutoff angle 2,5%
36°	49°	59.9°

**Beam intensities**

Peak intensity	Int. ratio in 120° cone	Int. ratio in 90° cone
2483 cd	99.7%	99.6%

**Beam intensities from 1-20m**

1m	2m	3m	4m	5m	6m	7m	8m	9m	10m	11m	12m	13m	14m	15m	16m	17m	18m	19m	20m
3.3ft	6.6ft	9.8ft	13.1ft	16.4ft	19.7ft	23ft	26.2ft	29.5ft	32.8ft	36.1ft	39.4ft	42.7ft	45.9ft	49.2ft	52.5ft	55.8ft	59.1ft	62.3ft	65.6ft
2483lx	621lx	276lx	155lx	99lx	69lx	51lx	39lx	31lx	25lx	21lx	17lx	15lx	13lx	11lx	10lx	9lx	8lx	7lx	6lx
230.6fcd	57.7fcd	25.6fcd	14.4fcd	9.2fcd	6.4fcd	4.7fcd	3.6fcd	2.8fcd	2.3fcd	1.9fcd	1.6fcd	1.4fcd	1.2fcd	1fcd	0.9fcd	0.8fcd	0.7fcd	0.6fcd	0.6fcd

The above information is for 3000K colour temperature, for specific module information please see LED spec located on our website

For information regarding other colour temperatures please use the following factors for lumen output and candelas:

2700K = 1  
4000K = 1.084