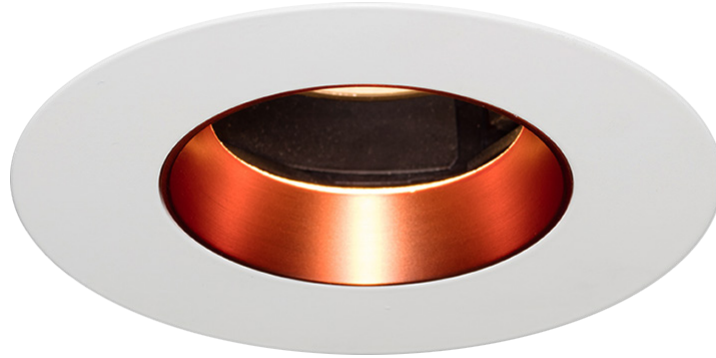
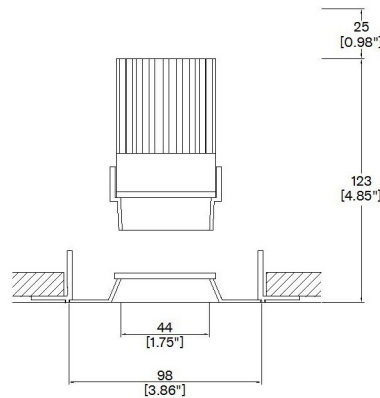


ProSpex PlusColour Bevel Fixed



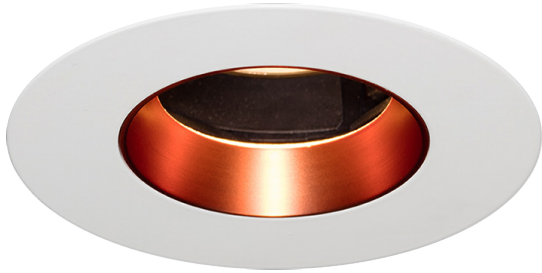
98mm (3.86") overall trimless diameter. Available with standard trim kit or plaster-in kit for flush appearance. Family of matching products also available. Required depth height + 25mm^



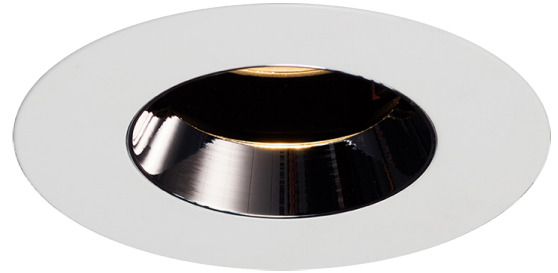
090+13-C-LED-TL
Cut-out 102mm Ø

LED Source	LED51/2	LED51/2	LED51/2
CCT	3000K	3000K	3000K
Drive Current	350mA	350mA	350mA
Power inc Driver	13.6W	13.6W	13.6W
Beam Angle	12°	24°	38°
Delivered Lumens	745	794	897
Delivered Intensisty cd	10562	4368	2651
Efficacy lm/w	55	58	67
Forward Volt	33V	33V	33V
CRI	≥90 CRI	≥90 CRI	≥90 CRI

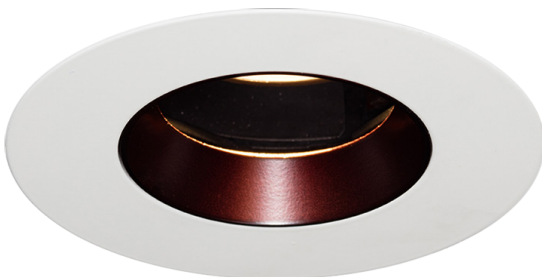
Plus Colour Bevel Inserts



Copper



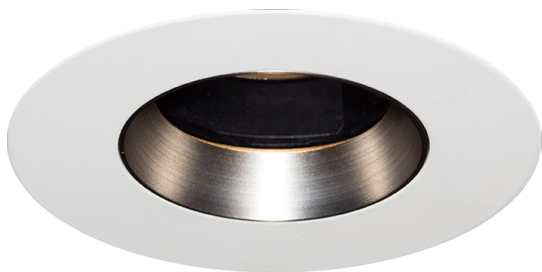
Polished Chrome



Bronze



Satin Gold



Satin Nickel

Project Ref: _____

Location Ref: _____

Fixture Order Code: 090+13-C-LED-TL - [] - [] - [] - []

Fixture
090+13-C-LED-TL PlusColour Bevel Fixed Trimless with LED51

Colour Insert
CP Copper
CH Polished Chrome
BZ Bronze
SG Satin Gold
SN Satin Nickel

Finish
WH White
BK Black
RAL Custom RAL Colour*

IP Rating
44 IP44

Emergency
E Maintained 3hr Emergency
ED Maintained 3hr DALI Self Test
ES Maintained 3hr Self Test



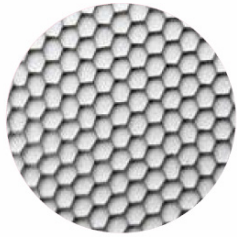
LED Order Code: LED51/2 - [] - [] - []

LED
LED51/2 LED50 ONE GEN2

CCT
927 90 CRI 2700K
930 90 CRI 3000K
940 90 CRI 4000K

Beam
12 12°
24 24°
38 38°

Protocol
S Non-Dim
A Analogue (0-10v)
P Phase
D DALI
B Bluetooth**



Honeycomb Louvre



Diffusing Lens



Frosted Lens



Heavy Spread Lens



Linear Spread Lens



Warm Tone

Accessories Order Code:

Louvre/Lens

- LL45 Honeycomb Louvre
- LLCC Warm Tone Lens
- LLUV UV Lens
- LLDF Diffusing Lens
- LLFR Frosted Lens
- LLLS Linear Spread Lens
- LLHS Heavy Spread Lens

Technical Details

*Custom RAL code must be specified. Custom RAL colours can increase prices and lead times

Dimming. Whilst Lucent can offer the majority of its luminaires with various dimming options, it remains the responsibility of the specifier/installer to check and ensure compatibility of any control equipment used. Additional cabling may be required depending on the dimming protocol specified.

**Bluetooth (wireless) is the communication method. The exact dimming protocol must be confirmed to allow the selection of suitable drivers or bluetooth devices.

^ Depth indicated is the minimum recess depth for the luminaire with a remote mounted LED driver. Installing a driver through either the luminaire cut-out or installation kit may require additional recess depth, please refer to the relevant luminaire installation instructions for further details.Data correct at time of publishing

First Fix Requirement. Luminaire comprised of fixture body with ceiling trim and installation kit, which is to be fitted into the ceiling once finished. Ensure correct alignment of the installation kit before final assembly (see luminaire installation instructions for details)

IP Rating. Tested from underside of the ceiling

It is the policy of Lucent Lighting to continually review and improve its products and therefore reserve the right to change any details of product or withdraw specifications without prior notice.

Luminaires designed to comply with EN60598 and all other standards.

This specification sheet superseded all previous versions.

All intellectual property rights pertaining to the product described above and to this document are owned by or licensed to Lucent Lighting Ltd.

We reserve the right to take whatever action is necessary to protect those intellectual property rights.

Please notify Lucent Lighting Ltd of any inaccuracies immediately. E&OE

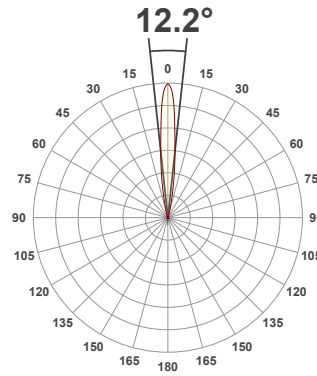
Light efficiency:



Light quality:



Color temperature:



Product name:

**PlusBevel Fixed - LED51
GEN2, 3000K, 12°, 350mA**

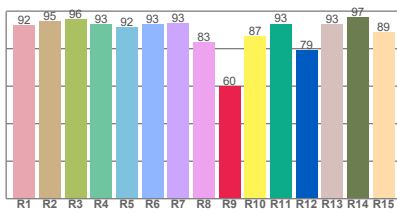
Item number:

090+13-LED51/2-30-12-350mA

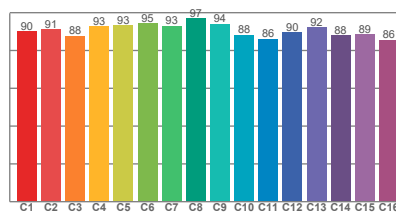
**Delivered information for above
fixture and LED combination.**

Output: 745 Lumen Peak intensity: 10562 cd Power consumption: 13.6

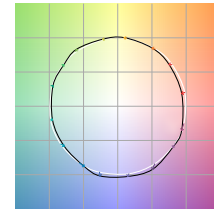
CRI R values



TM30 C Values

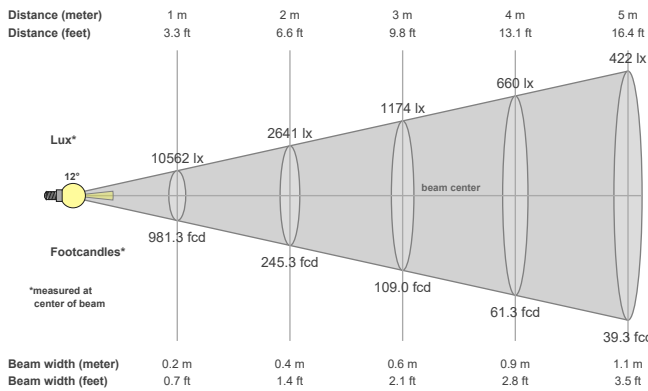


Color vector graphics



Color temperature	Color rendering index	Red component	Color fidelity	Color gamut	Color quality scale	Color coordinate cie 1931	Color coordinate cie 1931	Color coordinate	Color coordinate	Color deviation from black body
CCT	CRI	CRI R9	TM30 Rf	TM30 Rg	CQS	x	y	u	v	Δuv
3000 K	92.2	60.2	90.8	100.0	90.7	0.437	0.404	0.248	0.347	0.0005

Beam details



Beam angles

Beam angle 50%	Field angle 10%	Cutoff angle 2,5%
12.2°	25.6°	37.1°

Beam intensities

Peak intensity	Int. ratio in 120° cone	Int. ratio in 90° cone
10562 cd	99.5%	99.2%

Beam intensities from 1-20m

1m	2m	3m	4m	5m	6m	7m	8m	9m	10m	11m	12m	13m	14m	15m	16m	17m	18m	19m	20m
3.3ft	6.6ft	9.8ft	13.1ft	16.4ft	19.7ft	23ft	26.2ft	29.5ft	32.8ft	36.1ft	39.4ft	42.7ft	45.9ft	49.2ft	52.5ft	55.8ft	59.1ft	62.3ft	65.6ft
10562lx	2641lx	1174lx	660lx	422lx	293lx	216lx	165lx	130lx	106lx	87lx	73lx	62lx	54lx	47lx	41lx	37lx	33lx	29lx	26lx
981.3fcd	245.3fcd	109fcd	61.3fcd	39.3fcd	27.3fcd	20fcd	15.3fcd	12.1fcd	9.8fcd	8.1fcd	6.8fcd	5.8fcd	5fcd	4.4fcd	3.8fcd	3.4fcd	3fcd	2.7fcd	2.5fcd

The above information is for 3000K colour temperature, for specific module information please see LED spec located on our website

For information regarding other colour temperatures please use the following factors for lumen output and candelas:

2700K = 1
4000K = 1.084

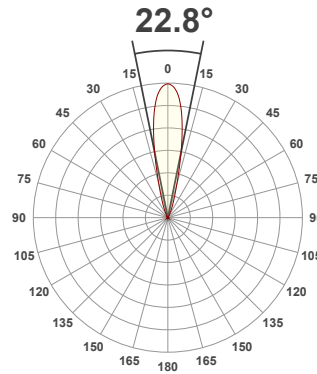
Light efficiency:



Light quality:



Color temperature:



Product name:

**PlusBevel Fixed - LED51
GEN2, 3000K, 24°, 350mA**

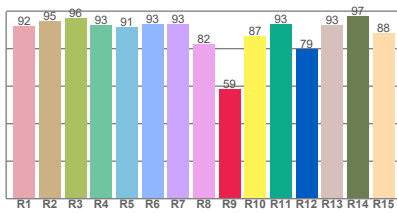
Item number:

090+13-LED51/2-30-24-350mA

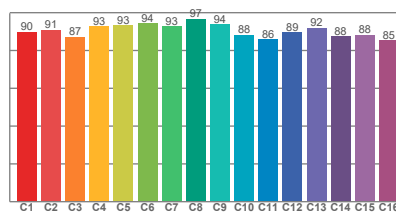
**Delivered information for above
fixture and LED combination.**

Output: 794 Lumen Peak intensity: 4368 cd Power consumption: 13.6

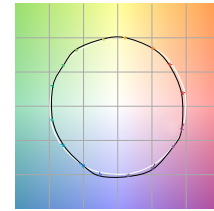
CRI R values



TM30 C Values

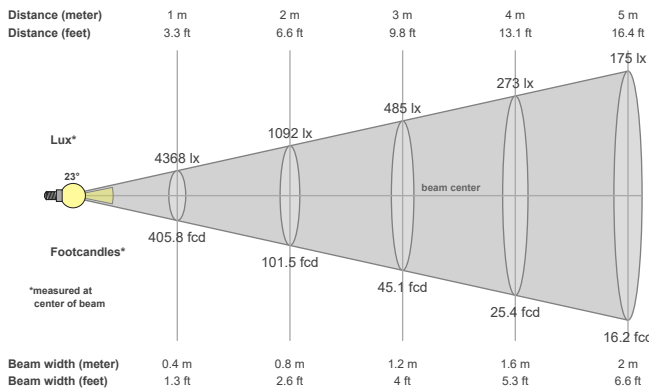


Color vector graphics



Color temperature	Color rendering index	Red component	Color fidelity	Color gamut	Color quality scale	Color coordinate cie 1931	Color coordinate cie 1931	Color coordinate	Color coordinate	Color deviation from black body
CCT	CRI	CRI R9	TM30 Rf	TM30 Rg	CQS	x	y	u	v	Δuv
3000 K	91.9	58.6	90.5	100.0	90.3	0.437	0.404	0.249	0.347	0.0003

Beam details



Beam angles

Beam angle 50%	Field angle 10%	Cutoff angle 2,5%
22.8°	41.1°	55.7°

Beam intensities

Peak intensity	Int. ratio in 120° cone	Int. ratio in 90° cone
4368 cd	99.8%	99.6%

Beam intensities from 1-20m

1m	2m	3m	4m	5m	6m	7m	8m	9m	10m	11m	12m	13m	14m	15m	16m	17m	18m	19m	20m
3.3ft	6.6ft	9.8ft	13.1ft	16.4ft	19.7ft	23ft	26.2ft	29.5ft	32.8ft	36.1ft	39.4ft	42.7ft	45.9ft	49.2ft	52.5ft	55.8ft	59.1ft	62.3ft	65.6ft
4368lx	1092lx	485lx	273lx	175lx	121lx	89lx	68lx	54lx	44lx	36lx	30lx	26lx	22lx	19lx	17lx	15lx	13lx	12lx	11lx
405.8fcd	101.5fcd	45.1fcd	25.4fcd	16.2fcd	11.3fcd	8.3fcd	6.3fcd	5fcd	4.1fcd	3.4fcd	2.8fcd	2.4fcd	2.1fcd	1.8fcd	1.6fcd	1.4fcd	1.3fcd	1.1fcd	1fcd

The above information is for 3000K colour temperature, for specific module information please see LED spec located on our website

For information regarding other colour temperatures please use the following factors for lumen output and candelas:

2700K = 1
4000K = 1.084

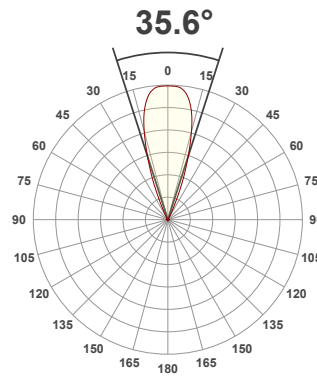
Light efficiency:



Light quality:



Color temperature:



Product name:

**PlusBevel Fixed - LED51
GEN2, 3000K, 38°, 350mA**

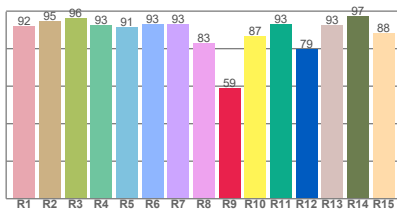
Item number:

090+13-LED51/2-30-38-350mA

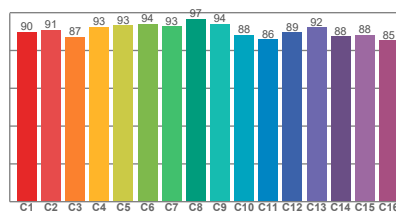
**Delivered information for above
fixture and LED combination.**

Output: 897 Lumen Peak intensity: 2651 cd Power consumption: 13.6

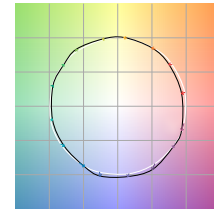
CRI R values



TM30 C Values

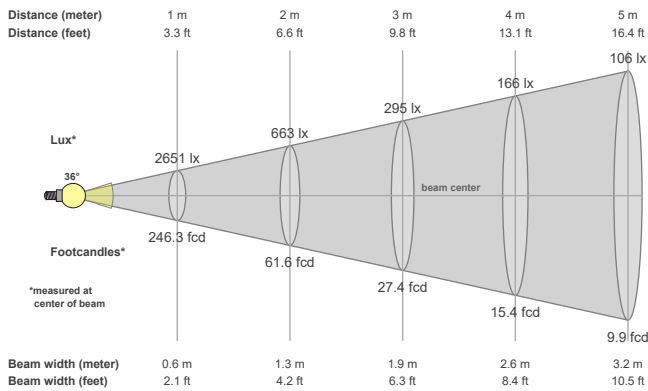


Color vector graphics



Color temperature	Color rendering index	Red component	Color fidelity	Color gamut	Color quality scale	Color coordinate cie 1931	Color coordinate cie 1931	Color coordinate	Color coordinate	Color deviation from black body
CCT	CRI	CRI R9	TM30 Rf	TM30 Rg	CQS	x	y	u	v	Δuv
3000 K	92.0	59.0	90.5	100.0	90.4	0.437	0.404	0.248	0.347	0.0003

Beam details



Beam angles

Beam angle 50%	Field angle 10%	Cutoff angle 2,5%
35.6°	49.9°	60.8°

Beam intensities

Peak intensity	Int. ratio in 120° cone	Int. ratio in 90° cone
2651 cd	99.9%	99.8%

Beam intensities from 1-20m

1m	2m	3m	4m	5m	6m	7m	8m	9m	10m	11m	12m	13m	14m	15m	16m	17m	18m	19m	20m
3.3ft	6.6ft	9.8ft	13.1ft	16.4ft	19.7ft	23ft	26.2ft	29.5ft	32.8ft	36.1ft	39.4ft	42.7ft	45.9ft	49.2ft	52.5ft	55.8ft	59.1ft	62.3ft	65.6ft
2651lx	663lx	295lx	166lx	106lx	74lx	54lx	41lx	33lx	27lx	22lx	18lx	16lx	14lx	12lx	10lx	9lx	8lx	7lx	7lx
246.3fcd	61.6fcd	27.4fcd	15.4fcd	9.9fcd	6.8fcd	5fcd	3.8fcd	3fcd	2.5fcd	2fcd	1.7fcd	1.5fcd	1.3fcd	1.1fcd	1fcd	0.9fcd	0.8fcd	0.7fcd	0.6fcd

The above information is for 3000K colour temperature, for specific module information please see LED spec located on our website

For information regarding other colour temperatures please use the following factors for lumen output and candelas:

2700K = 1
4000K = 1.084