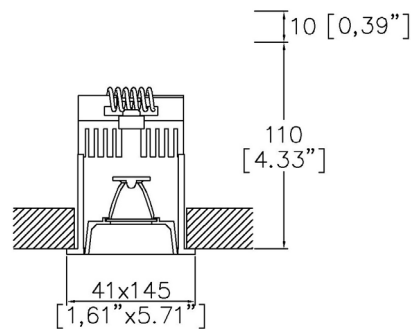


ProSpex Line 5LED Cube



41 x 145mm (1.61" x 5.71") overall dimension. Fully recessed downlight for interior installation. Family of matching products also available. Required depth height + 10mm



2605-CB-TR

LED Source	LED	LED	LED
CCT	3000K	3000K	3000K
Drive Current	700mA	700mA	700mA
Power inc Driver	13W	13W	13W
Beam Angle	12°	34°	48°
Delivered Lumens	772	831	850
Delivered Intensity cd	7186	2322	1618
Efficacy lm/w	59	64	65
Forward Volt	15V	15V	15V
CRI	≥90 CRI	≥90 CRI	≥90 CRI

Project Ref: _____

Location Ref: _____

Fixture Order Code: - - - -

Fixture
2605-CB-TR Line 5LED Cubed Baffle Trim

CCT
27 90 CRI 2700K
30 90 CRI 3000K
40 90 CRI 4000K

Finish
BK Black*

Beam
12 12°
34 34°
48 48°

Protocol
S Non-Dim
A Analogue (0-10v)
P Phase
D DALI
B Bluetooth**

Please refer to installation instruction for wiring diagram

Technical Details

*Other RAL trim finishes upon application

Dimming. Whilst Lucent can offer the majority of its luminaires with various dimming options, it remains the responsibility of the specifier/installer to check and ensure compatibility of any control equipment used. Additional cabling may be required depending on the dimming protocol specified.

**Bluetooth (wireless) is the communication method. The exact dimming protocol must be confirmed to allow the selection of suitable drivers or bluetooth devices.

^ Depth indicated is the minimum recess depth for the luminaire with a remote mounted LED driver. Installing a driver through either the luminaire cut-out or installation kit may require additional recess depth, please refer to the relevant luminaire installation instructions for further details. Data correct at time of publishing

First Fix Requirement. Luminaire comprised of fixture body with ceiling trim and installation kit, which is to be fitted into the ceiling once finished. Ensure correct alignment of the installation kit before final assembly (see luminaire installation instructions for details)

IP Rating. Tested from underside of the ceiling

It is the policy of Lucent Lighting to continually review and improve its products and therefore reserve the right to change any details of product or withdraw specifications without prior notice.

Luminaires designed to comply with EN60598 and all other standards.

This specification sheet supersedes all previous versions.

All intellectual property rights pertaining to the product described above and to this document are owned by or licensed to Lucent Lighting Ltd.

We reserve the right to take whatever action is necessary to protect those intellectual property rights.

Please notify Lucent Lighting Ltd of any inaccuracies immediately. E&OE

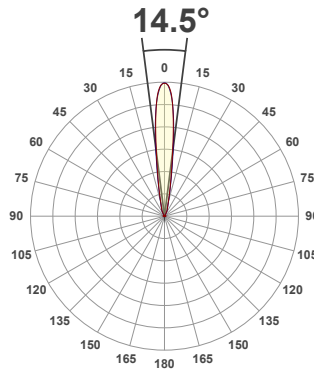
Light efficiency:



Light quality:



Color temperature:



Product name:

Line 5LED Cube, 3000K, 12°, 700mA

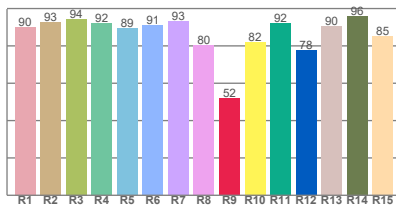
Item number:

2605-CB-30-12-700mA

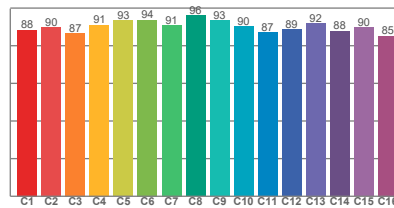
Delivered information for above fixture and LED combination.

Output: 772 Lumen Peak intensity: 7186 cd Power consumption: 13.0

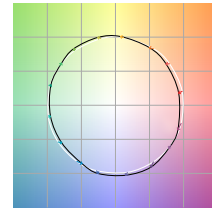
CRI R values



TM30 C Values

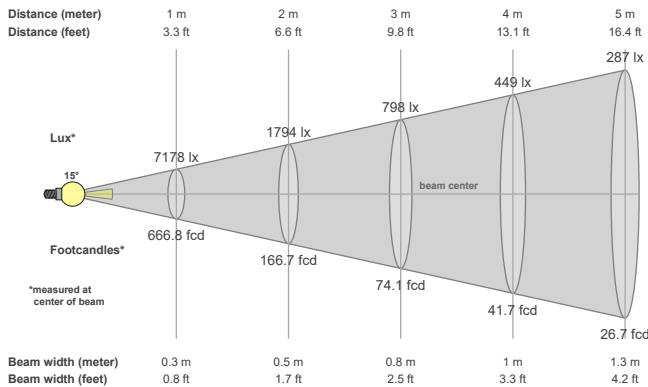


Color vector graphics



Color temperature	Color rendering index	Red component	Color fidelity	Color gamut	Color quality scale	Color coordinate cie 1931	Color coordinate cie 1931	Color coordinate	Color coordinate	Color deviation from black body
CCT	CRI	CRI R9	TM30 Rf	TM30 Rg	CQS	x	y	u	v	Δuv
3000 K	90.3	51.8	90.1	99.2	89.6	0.437	0.404	0.251	0.351	0.0028

Beam details



Beam angles

Beam angle 50%	Field angle 10%	Cutoff angle 2,5%
14.5°	32°	54.3°

Beam intensities

Peak intensity	Int. ratio in 120° cone	Int. ratio in 90° cone
7186 cd	99.7%	99.6%

Beam intensities from 1-20m

1m	2m	3m	4m	5m	6m	7m	8m	9m	10m	11m	12m	13m	14m	15m	16m	17m	18m	19m	20m
3.3ft	6.6ft	9.8ft	13.1ft	16.4ft	19.7ft	23ft	26.2ft	29.5ft	32.8ft	36.1ft	39.4ft	42.7ft	45.9ft	49.2ft	52.5ft	55.8ft	59.1ft	62.3ft	65.6ft
7178lx	1794lx	798lx	449lx	287lx	199lx	146lx	112lx	89lx	72lx	59lx	50lx	42lx	37lx	32lx	28lx	25lx	22lx	20lx	18lx
666.8fcd	166.7fcd	74.1fcd	41.7fcd	26.7fcd	18.5fcd	13.6fcd	10.4fcd	8.2fcd	6.7fcd	5.5fcd	4.6fcd	3.9fcd	3.4fcd	3fcd	2.6fcd	2.3fcd	2.1fcd	1.8fcd	1.7fcd

The above information is for 3000K colour temperature, for specific module information please see LED spec located on our website

For information regarding other colour temperatures please use the following factors for lumen output and candelas:

2700K = 0.82

4000K = 1.11

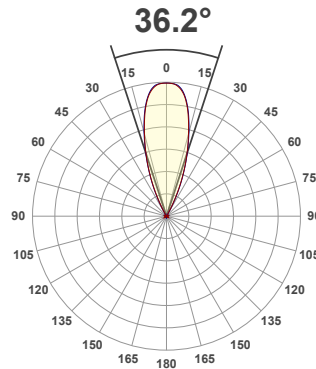
Light efficiency:



Light quality:



Color temperature:



Product name:

Line 5LED Cube, 3000K, 34°, 700mA

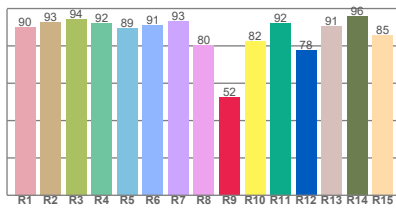
Item number:

2605-CB-30-34-700mA

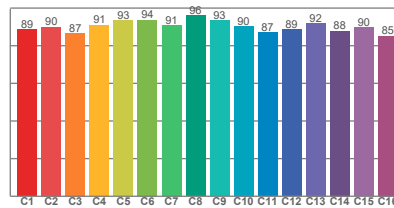
Delivered information for above fixture and LED combination.

Output: 831 Lumen Peak intensity: 2322 cd Power consumption: 13.0

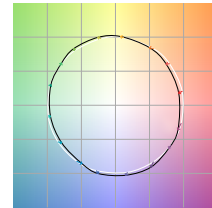
CRI R values



TM30 C Values

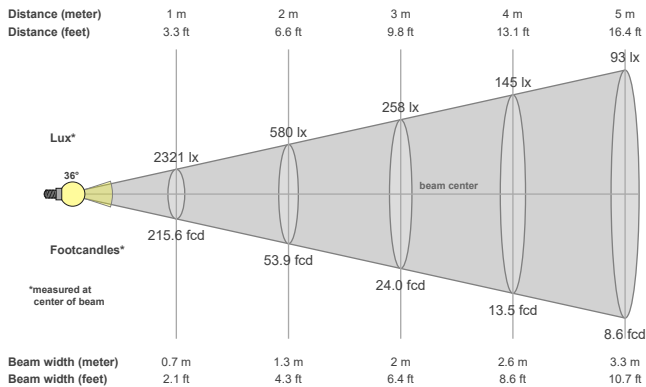


Color vector graphics



Color temperature	Color rendering index	Red component	Color fidelity	Color gamut	Color quality scale	Color coordinate cie 1931	Color coordinate cie 1931	Color coordinate	Color coordinate	Color deviation from black body
CCT	CRI	CRI R9	TM30 Rf	TM30 Rg	CQS	x	y	u	v	Δuv
3000 K	90.4	52.3	90.2	99.3	89.7	0.437	0.404	0.251	0.351	0.0027

Beam details



Beam angles

Beam angle 50%	Field angle 10%	Cutoff angle 2,5%
36.2°	54.9°	60.6°

Beam intensities

Peak intensity	Int. ratio in 120° cone	Int. ratio in 90° cone
2322 cd	99.8%	99.7%

Beam intensities from 1-20m

1m	2m	3m	4m	5m	6m	7m	8m	9m	10m	11m	12m	13m	14m	15m	16m	17m	18m	19m	20m
3.3ft	6.6ft	9.8ft	13.1ft	16.4ft	19.7ft	23ft	26.2ft	29.5ft	32.8ft	36.1ft	39.4ft	42.7ft	45.9ft	49.2ft	52.5ft	55.8ft	59.1ft	62.3ft	65.6ft
2321lx	580lx	258lx	145lx	93lx	64lx	47lx	36lx	29lx	23lx	19lx	16lx	14lx	12lx	10lx	9lx	8lx	7lx	6lx	6lx
215.6fcd	53.9fcd	24fcd	13.5fcd	8.6fcd	6fcd	4.4fcd	3.4fcd	2.7fcd	2.2fcd	1.8fcd	1.5fcd	1.3fcd	1.1fcd	1fcd	0.8fcd	0.7fcd	0.7fcd	0.6fcd	0.5fcd

The above information is for 3000K colour temperature, for specific module information please see LED spec located on our website

For information regarding other colour temperatures please use the following factors for lumen output and candelas:

2700K = 0.82

4000K = 1.11

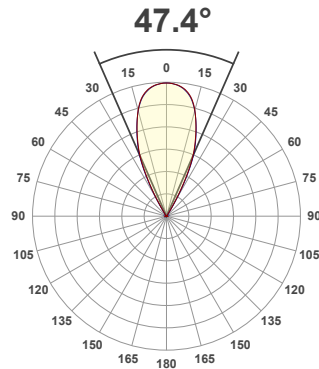
Light efficiency:



Light quality:



Color temperature:



Product name:

Line 5LED Cube, 3000K, 48°, 700mA

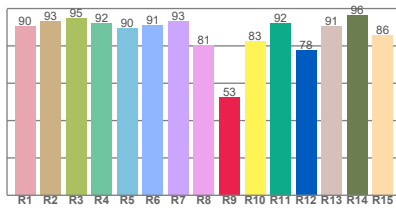
Item number:

2605-CB-30-48-700mA

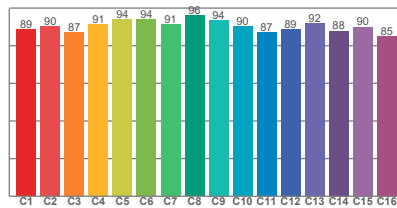
Delivered information for above fixture and LED combination.

Output: 850 Lumen Peak intensity: 1618 cd Power consumption: 13.0

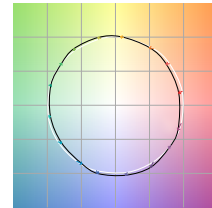
CRI R values



TM30 C Values

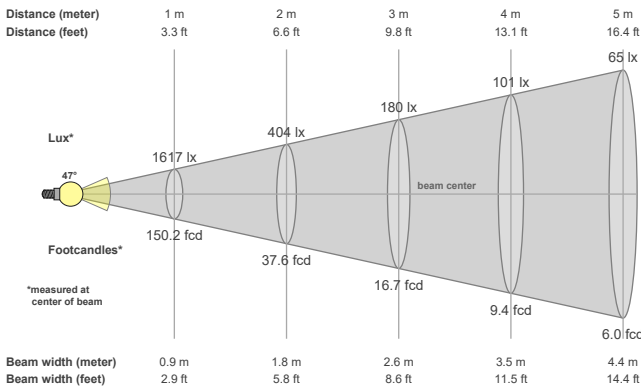


Color vector graphics



Color temperature	Color rendering index	Red component	Color fidelity	Color gamut	Color quality scale	Color coordinate cie 1931	Color coordinate cie 1931	Color coordinate	Color coordinate	Color deviation from black body
CCT	CRI	CRI R9	TM30 Rf	TM30 Rg	CQS	x	y	u	v	Δuv
3000 K	90.5	52.8	90.3	99.2	89.8	0.437	0.404	0.250	0.350	0.0025

Beam details



Beam angles

Beam angle 50%	Field angle 10%	Cutoff angle 2,5%
47.4°	61.8°	68.5°

Beam intensities

Peak intensity	Int. ratio in 120° cone	Int. ratio in 90° cone
1618 cd	99.9%	99.7%

Beam intensities from 1-20m

1m	2m	3m	4m	5m	6m	7m	8m	9m	10m	11m	12m	13m	14m	15m	16m	17m	18m	19m	20m
3.3ft	6.6ft	9.8ft	13.1ft	16.4ft	19.7ft	23ft	26.2ft	29.5ft	32.8ft	36.1ft	39.4ft	42.7ft	45.9ft	49.2ft	52.5ft	55.8ft	59.1ft	62.3ft	65.6ft
1617lx	404lx	180lx	101lx	65lx	45lx	33lx	25lx	20lx	16lx	13lx	11lx	10lx	8lx	7lx	6lx	6lx	5lx	4lx	4lx
150.2fcd	37.6fcd	16.7fcd	9.4fcd	6fcd	4.2fcd	3.1fcd	2.3fcd	1.9fcd	1.5fcd	1.2fcd	1fcd	0.9fcd	0.8fcd	0.7fcd	0.6fcd	0.5fcd	0.5fcd	0.4fcd	0.4fcd

The above information is for 3000K colour temperature, for specific module information please see LED spec located on our website

For information regarding other colour temperatures please use the following factors for lumen output and candelas:

2700K = 0.82

4000K = 1.11