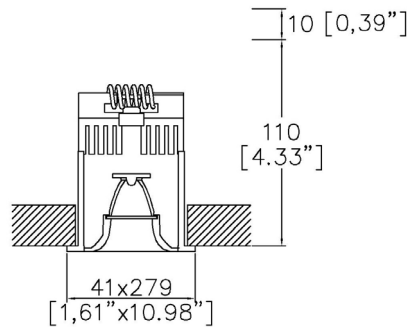


ProSpex Line 10LED Flare



41 x 279mm (1.61" x 10.98") overall dimension. Fully recessed downlight for interior installation. Family of matching products also available. Required depth height + 10mm



2610-FL-TR

| | | | |
|------------------------|---------|---------|---------|
| LED Source | LED | LED | LED |
| CCT | 3000K | 3000K | 3000K |
| Drive Current | 700mA | 700mA | 700mA |
| Power inc Driver | 26W | 26W | 26W |
| Beam Angle | 12° | 34° | 48° |
| Delivered Lumens | 1348 | 1463 | 1368 |
| Delivered Intensity cd | 13085 | 4587 | 2755 |
| Efficacy lm/w | 52 | 56 | 53 |
| Forward Volt | 30V | 30V | 30V |
| CRI | ≥90 CRI | ≥90 CRI | ≥90 CRI |

Project Ref: _____

Location Ref: _____

Fixture Order Code: - - - -

Fixture
2610-FL-TR

Line 10LED Flared Baffle Trim

CCT
27
30
40

90 CRI 2700K
90 CRI 3000K
90 CRI 4000K

Finish
BK

Black*

Beam
12
34
48

12°
34°
48°

Protocol
S
A
P
D
B

Non-Dim
Analogue (0-10v)
Phase
DALI
Bluetooth**

Please refer to installation instruction for wiring diagram

Technical Details

*Other RAL trim finishes upon application

Dimming. Whilst Lucent can offer the majority of its luminaires with various dimming options, it remains the responsibility of the specifier/installer to check and ensure compatibility of any control equipment used. Additional cabling may be required depending on the dimming protocol specified.

**Bluetooth (wireless) is the communication method. The exact dimming protocol must be confirmed to allow the selection of suitable drivers or bluetooth devices.

^ Depth indicated is the minimum recess depth for the luminaire with a remote mounted LED driver. Installing a driver through either the luminaire cut-out or installation kit may require additional recess depth, please refer to the relevant luminaire installation instructions for further details. Data correct at time of publishing

First Fix Requirement. Luminaire comprised of fixture body with ceiling trim and installation kit, which is to be fitted into the ceiling once finished. Ensure correct alignment of the installation kit before final assembly (see luminaire installation instructions for details)

IP Rating. Tested from underside of the ceiling

It is the policy of Lucent Lighting to continually review and improve its products and therefore reserve the right to change any details of product or withdraw specifications without prior notice.

Luminaires designed to comply with EN60598 and all other standards.

This specification sheet supersedes all previous versions.

All intellectual property rights pertaining to the product described above and to this document are owned by or licensed to Lucent Lighting Ltd.

We reserve the right to take whatever action is necessary to protect those intellectual property rights.

Please notify Lucent Lighting Ltd of any inaccuracies immediately. E&OE

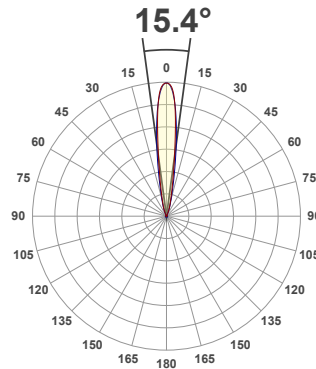
Light efficiency:



Light quality:



Color temperature:



Product name:

Line 10LED Flare, 3000K, 12°, 700mA

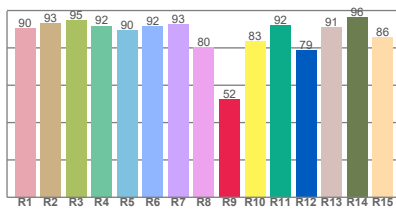
Item number:

2610-FL-30-12-700mA

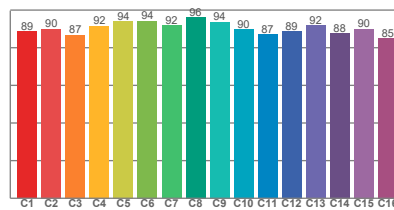
Delivered information for above fixture and LED combination.

Output: 1348 Lumen Peak intensity: 13085 cd Power consumption: 26.0

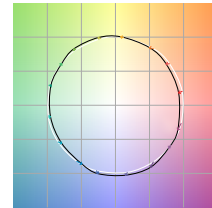
CRI R values



TM30 C Values

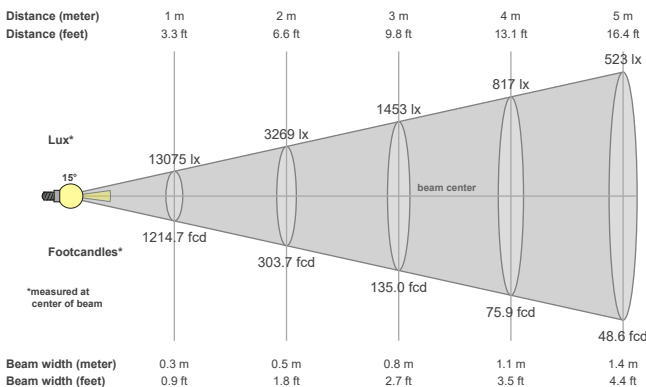


Color vector graphics



| Color temperature | Color rendering index | Red component | Color fidelity | Color gamut | Color quality scale | Color coordinate cie 1931 | Color coordinate cie 1931 | Color coordinate | Color coordinate | Color deviation from black body |
|-------------------|-----------------------|---------------|----------------|-------------|---------------------|---------------------------|---------------------------|------------------|------------------|---------------------------------|
| CCT | CRI | CRI R9 | TM30 Rf | TM30 Rg | CQS | x | y | u | v | Δuv |
| 3000 K | 90.6 | 52.4 | 90.3 | 99.1 | 89.8 | 0.437 | 0.404 | 0.251 | 0.350 | 0.0022 |

Beam details



Beam angles

| Beam angle 50% | Field angle 10% | Cutoff angle 2,5% |
|----------------|-----------------|-------------------|
| 15.4° | 33° | 46.5° |

Beam intensities

| Peak intensity | Int. ratio in 120° cone | Int. ratio in 90° cone |
|----------------|-------------------------|------------------------|
| 13085 cd | 99.8% | 99.6% |

Beam intensities from 1-20m

| 1m | 2m | 3m | 4m | 5m | 6m | 7m | 8m | 9m | 10m | 11m | 12m | 13m | 14m | 15m | 16m | 17m | 18m | 19m | 20m |
|-----------|----------|--------|---------|---------|---------|---------|--------|--------|---------|--------|--------|--------|--------|--------|--------|--------|--------|--------|--------|
| 3.3ft | 6.6ft | 9.8ft | 13.1ft | 16.4ft | 19.7ft | 23ft | 26.2ft | 29.5ft | 32.8ft | 36.1ft | 39.4ft | 42.7ft | 45.9ft | 49.2ft | 52.5ft | 55.8ft | 59.1ft | 62.3ft | 65.6ft |
| 13075lx | 3269lx | 1453lx | 817lx | 523lx | 363lx | 267lx | 204lx | 161lx | 131lx | 108lx | 91lx | 77lx | 67lx | 58lx | 51lx | 45lx | 40lx | 36lx | 33lx |
| 1214.7fcd | 303.7fcd | 135fcd | 75.9fcd | 48.6fcd | 33.7fcd | 24.8fcd | 19fcd | 15fcd | 12.1fcd | 10fcd | 8.4fcd | 7.2fcd | 6.2fcd | 5.4fcd | 4.7fcd | 4.2fcd | 3.7fcd | 3.4fcd | 3fcd |

The above information is for 3000K colour temperature, for specific module information please see LED spec located on our website

For information regarding other colour temperatures please use the following factors for lumen output and candelas:

2700K = 0.82
4000K = 1.11

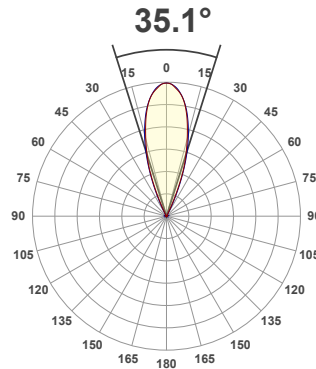
Light efficiency:



Light quality:



Color temperature:



Product name:

Line 10LED Flare, 3000K, 34°, 700mA

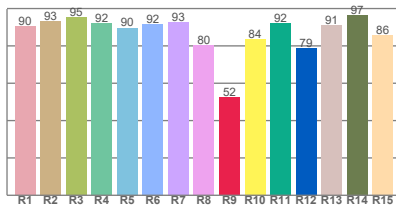
Item number:

2610-FL-30-34-700mA

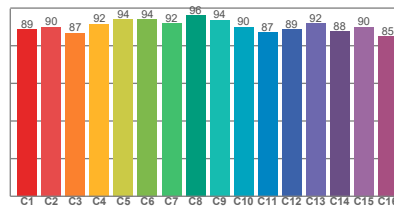
Delivered information for above fixture and LED combination.

Output: 1463 Lumen Peak intensity: 4587 cd Power consumption: 26.0

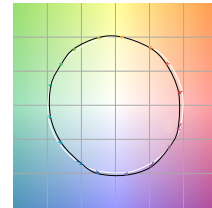
CRI R values



TM30 C Values

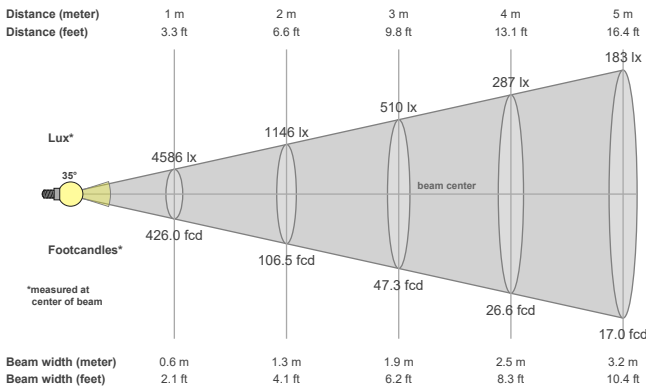


Color vector graphics



| Color temperature | Color rendering index | Red component | Color fidelity | Color gamut | Color quality scale | Color coordinate cie 1931 | Color coordinate cie 1931 | Color coordinate | Color coordinate | Color deviation from black body |
|-------------------|-----------------------|---------------|----------------|-------------|---------------------|---------------------------|---------------------------|------------------|------------------|---------------------------------|
| CCT | CRI | CRI R9 | TM30 Rf | TM30 Rg | CQS | x | y | u | v | Δuv |
| 3000 K | 90.7 | 52.5 | 90.4 | 99.1 | 89.8 | 0.437 | 0.404 | 0.251 | 0.350 | 0.0021 |

Beam details



Beam angles

| Beam angle 50% | Field angle 10% | Cutoff angle 2,5% |
|----------------|-----------------|-------------------|
| 35.1° | 50.8° | 56.8° |

Beam intensities

| Peak intensity | Int. ratio in 120° cone | Int. ratio in 90° cone |
|----------------|-------------------------|------------------------|
| 4587 cd | 99.8% | 99.7% |

Beam intensities from 1-20m

| 1m | 2m | 3m | 4m | 5m | 6m | 7m | 8m | 9m | 10m | 11m | 12m | 13m | 14m | 15m | 16m | 17m | 18m | 19m | 20m |
|--------|----------|---------|---------|--------|---------|--------|--------|--------|--------|--------|--------|--------|--------|--------|--------|--------|--------|--------|--------|
| 3.3ft | 6.6ft | 9.8ft | 13.1ft | 16.4ft | 19.7ft | 23ft | 26.2ft | 29.5ft | 32.8ft | 36.1ft | 39.4ft | 42.7ft | 45.9ft | 49.2ft | 52.5ft | 55.8ft | 59.1ft | 62.3ft | 65.6ft |
| 4586lx | 1146lx | 510lx | 287lx | 183lx | 127lx | 94lx | 72lx | 57lx | 46lx | 38lx | 32lx | 27lx | 23lx | 20lx | 18lx | 16lx | 14lx | 13lx | 11lx |
| 426fcd | 106.5fcd | 47.3fcd | 26.6fcd | 17fcd | 11.8fcd | 8.7fcd | 6.7fcd | 5.3fcd | 4.3fcd | 3.5fcd | 3fcd | 2.5fcd | 2.2fcd | 1.9fcd | 1.7fcd | 1.5fcd | 1.3fcd | 1.2fcd | 1.1fcd |

The above information is for 3000K colour temperature, for specific module information please see LED spec located on our website

For information regarding other colour temperatures please use the following factors for lumen output and candelas:

2700K = 0.82

4000K = 1.11

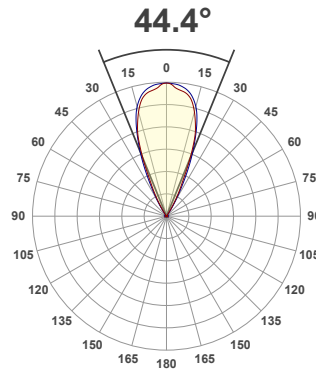
Light efficiency:



Light quality:



Color temperature:



Product name:

Line 10LED Flare, 3000K, 48°, 700mA

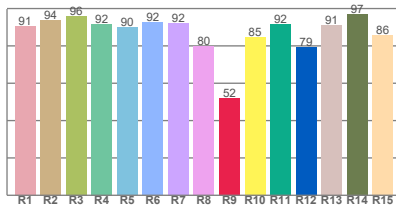
Item number:

2610-FL-30-48-700mA

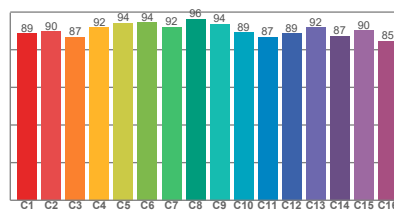
Delivered information for above fixture and LED combination.

Output: 1368 Lumen Peak intensity: 2755 cd Power consumption: 26.0

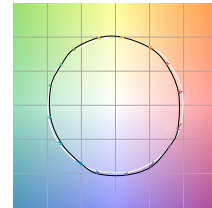
CRI R values



TM30 C Values

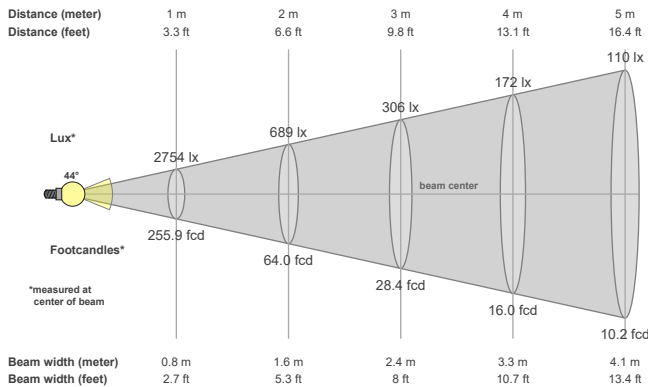


Color vector graphics



| Color temperature | Color rendering index | Red component | Color fidelity | Color gamut | Color quality scale | Color coordinate cie 1931 | Color coordinate cie 1931 | Color coordinate | Color coordinate | Color deviation from black body |
|-------------------|-----------------------|---------------|----------------|-------------|---------------------|---------------------------|---------------------------|------------------|------------------|---------------------------------|
| CCT | CRI | CRI R9 | TM30 Rf | TM30 Rg | CQS | x | y | u | v | Δuv |
| 3000 K | 90.8 | 52.1 | 90.3 | 99.0 | 89.7 | 0.437 | 0.404 | 0.251 | 0.349 | 0.0014 |

Beam details



Beam angles

| Beam angle 50% | Field angle 10% | Cutoff angle 2,5% |
|----------------|-----------------|-------------------|
| 44.4° | 61.7° | 69.6° |

Beam intensities

| Peak intensity | Int. ratio in 120° cone | Int. ratio in 90° cone |
|----------------|-------------------------|------------------------|
| 2755 cd | 99.9% | 99.7% |

Beam intensities from 1-20m

| 1m | 2m | 3m | 4m | 5m | 6m | 7m | 8m | 9m | 10m | 11m | 12m | 13m | 14m | 15m | 16m | 17m | 18m | 19m | 20m |
|----------|-------|---------|--------|---------|--------|--------|--------|--------|--------|--------|--------|--------|--------|--------|--------|--------|--------|--------|--------|
| 3.3ft | 6.6ft | 9.8ft | 13.1ft | 16.4ft | 19.7ft | 23ft | 26.2ft | 29.5ft | 32.8ft | 36.1ft | 39.4ft | 42.7ft | 45.9ft | 49.2ft | 52.5ft | 55.8ft | 59.1ft | 62.3ft | 65.6ft |
| 2754lx | 689lx | 306lx | 172lx | 110lx | 77lx | 56lx | 43lx | 34lx | 28lx | 23lx | 19lx | 16lx | 14lx | 12lx | 11lx | 10lx | 9lx | 8lx | 7lx |
| 255.9fcd | 64fcd | 28.4fcd | 16fcd | 10.2fcd | 7.1fcd | 5.2fcd | 4fcd | 3.2fcd | 2.6fcd | 2.1fcd | 1.8fcd | 1.5fcd | 1.3fcd | 1.1fcd | 1fcd | 0.9fcd | 0.8fcd | 0.7fcd | 0.6fcd |

The above information is for 3000K colour temperature, for specific module information please see LED spec located on our website

For information regarding other colour temperatures please use the following factors for lumen output and candelas:

2700K = 0.82

4000K = 1.11