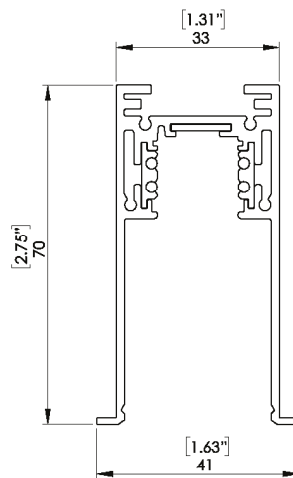


FineLINE Trim Profile



FineLine Trim is a compact and multi-functional aluminium low voltage profile system with a 41mm (1.63") overall trim width.

This system incorporates a 48v low voltage track with a magnetic snap in connection for the lighting fixtures and an integrated databus for lighting control.



FL002-TR
Cut-out 34mm

Project Ref: _____

Location Ref: _____

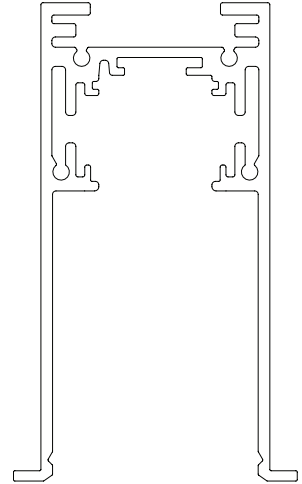
FineLINE Trim Profile

Fixture Order Code: - - -

Profile
FL002 FineLINE Recessed Trim

Length
1 1 meter
2 2 meters
3 3 meters
X Custom Length

Body Finish
WH White
BK Black
RAL Custom RAL Colour*



Note - Profile comes supplied with mounting brackets, 3 per meter.

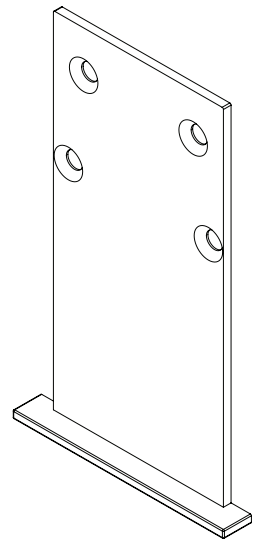
Trim End Cap

Fixture Order Code: - -

Profile
FL002 FineLINE Recessed Trim

End Cap

Finish
WH White
BK Black
RAL Custom RAL Colour*



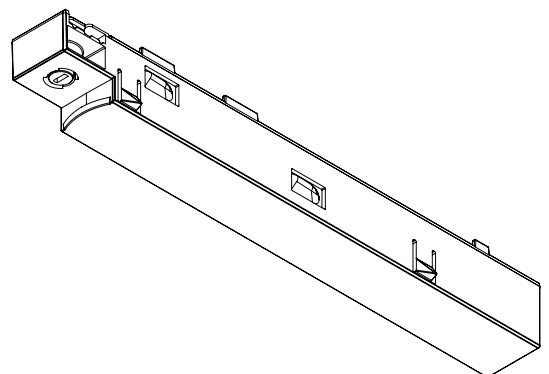
Note: Individual items, be sure to order correct quantity.

End Feed

Fixture Order Code: - -

Direction
KR Right
KL Left

Finish
WH White
BK Black



Project Ref: _____

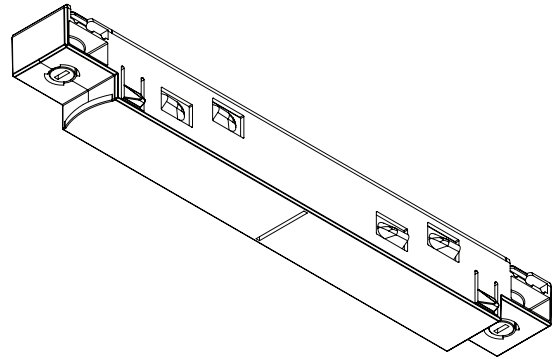
Location Ref: _____

Joining Connector

Fixture Order Code: - -

Finish
WH
BK

White
Black

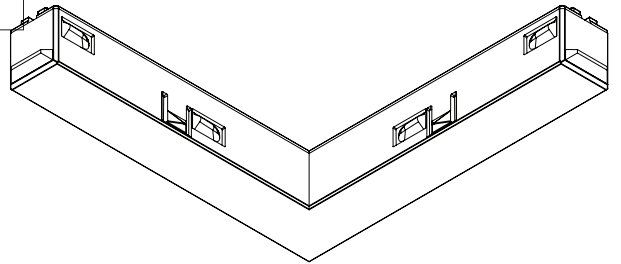


Corner Connector

Fixture Order Code: - -

Finish
WH
BK

White
Black



FineLine Trim Corner Section

Fixture Order Code: - -

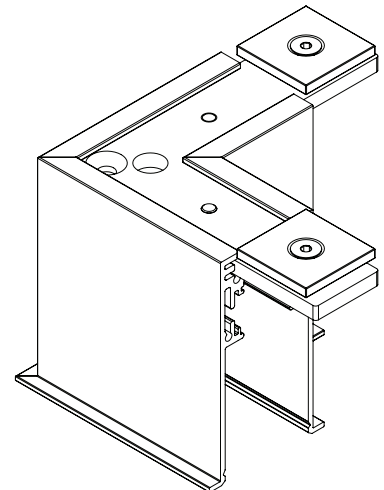
FineLINE Profile

Corner Section

Body Finish

WH
BK
RAL

White
Black
Custom RAL Colour*



Optional Blanking Cover Accessory

Fixture Order Code: FL - BC - -

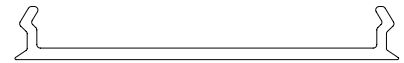
Blanking Cover

Length

- 1 1 meter
- 2 2 meters
- 3 3 meters
- X Custom Length

Finish

- WH White
- BK Black



Technical Details

*Custom RAL code must be specified. Custom RAL colours can increase prices and lead times

Dimming. Whilst Lucent can offer the majority of its luminaires with various dimming options, it remains the responsibility of the specifier/installer to check and ensure compatibility of any control equipment used. Additional cabling may be required depending on the dimming protocol specified.

The exact dimming protocol must be confirmed to allow the selection of suitable drivers or bluetooth devices.

^ Depth indicated is the minimum recess depth for the luminaire with a remote mounted LED driver. Installing a driver through either the luminaire cut-out or installation kit may require additional recess depth, please refer to the relevant luminaire installation instructions for further details. Data correct at time of publishing

First Fix Requirement. Luminaire comprised of fixture body with ceiling trim and installation kit, which is to be fitted into the ceiling once finished. Ensure correct alignment of the installation kit before final assembly (see luminaire installation instructions for details)

IP Rating. Tested from underside of the ceiling

It is the policy of Lucent Lighting to continually review and improve its products and therefore reserve the right to change any details of product or withdraw specifications without prior notice.

Luminaires designed to comply with EN60598 and all other relevant standards.

This specification sheet superseded all previous versions.

All intellectual property rights pertaining to the product described above and to this document are owned by or licensed to Lucent Lighting Ltd.

We reserve the right to take whatever action is necessary to protect those intellectual property rights.

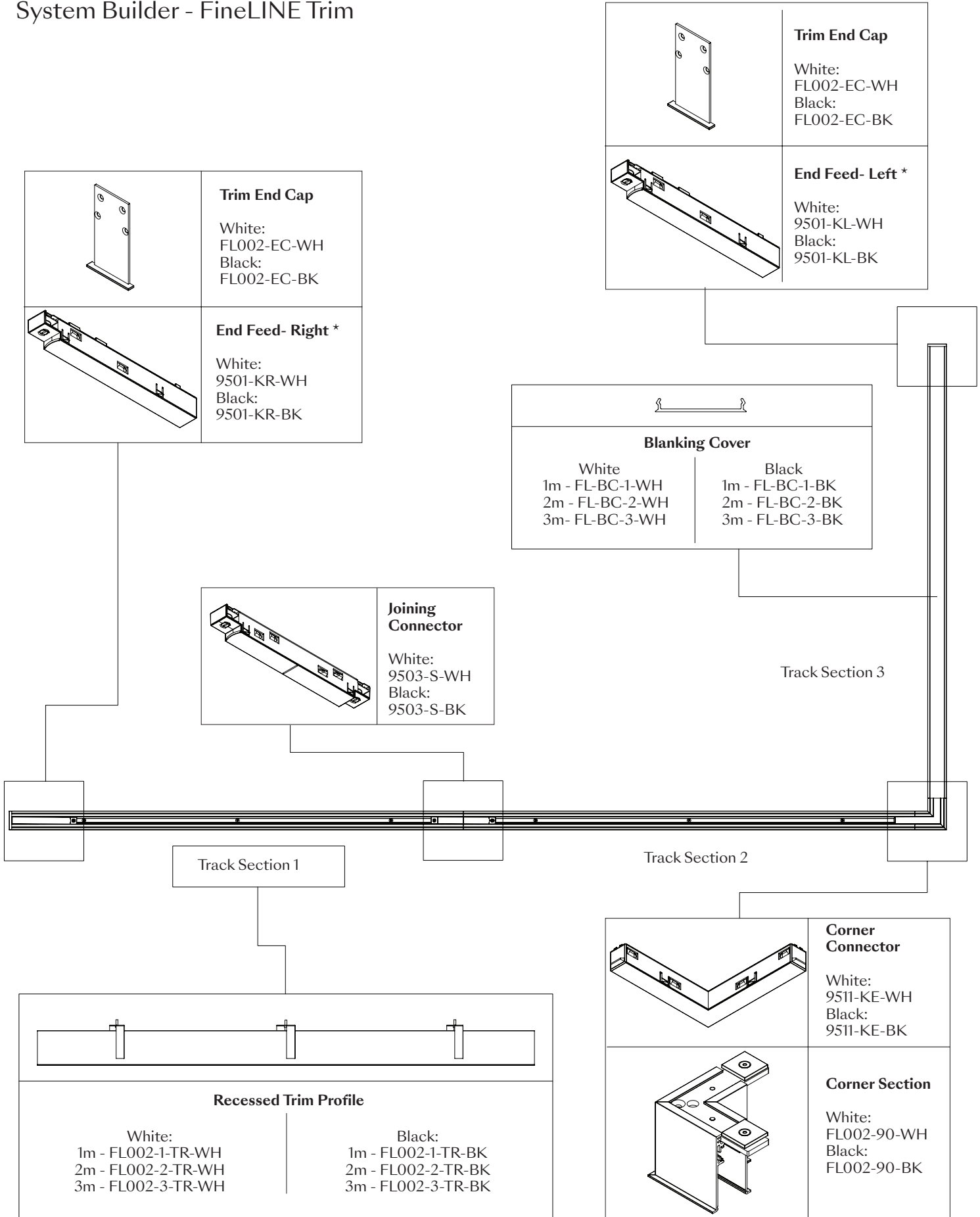
Please notify Lucent Lighting Ltd of any inaccuracies immediately. E&OE

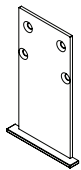
Compatible Products

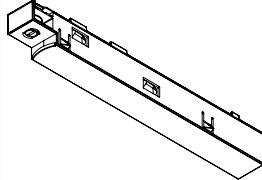
The Lucent FineLINE system is compatible with the following product ranges:

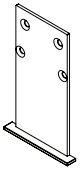
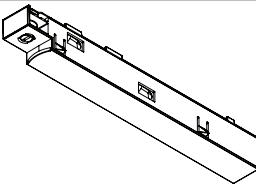
- TubeLED Mini LED spotlights
- TubeLED Micro LED spotlights
- TubeLED Nano LED spotlights
- Prospex Line 2, 5 and 10 lamp
- TubeLED Mico Pendant
- TubeLED Mini Pendant
- Prospex Linear


System Builder - FineLINE Trim

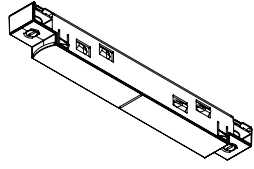


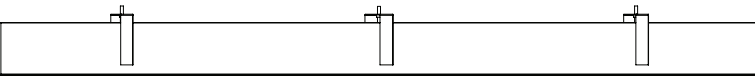
| | |
|---|---|
|  | <p>Trim End Cap</p> <p>White: FL002-EC-WH Black: FL002-EC-BK</p> |
|---|---|

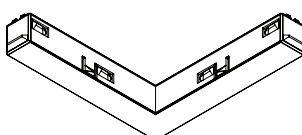
| | |
|--|---|
|  | <p>End Feed- Left *</p> <p>White: 9501-KL-WH Black: 9501-KL-BK</p> |
|--|---|

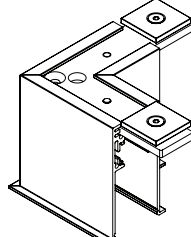
| | |
|---|--|
|  | <p>Trim End Cap</p> <p>White: FL002-EC-WH Black: FL002-EC-BK</p> |
|  | <p>End Feed- Right *</p> <p>White: 9501-KR-WH Black: 9501-KR-BK</p> |

| | |
|---|---|
|  | |
| Blanking Cover | |
| <p>White</p> <p>1m - FL-BC-1-WH 2m - FL-BC-2-WH 3m - FL-BC-3-WH</p> | <p>Black</p> <p>1m - FL-BC-1-BK 2m - FL-BC-2-BK 3m - FL-BC-3-BK</p> |

| | |
|---|--|
|  | <p>Joining Connector</p> <p>White: 9503-S-WH Black: 9503-S-BK</p> |
|---|--|

| | |
|---|---|
|  | |
| Recessed Trim Profile | |
| <p>White:</p> <p>1m - FL002-1-TR-WH 2m - FL002-2-TR-WH 3m - FL002-3-TR-WH</p> | <p>Black:</p> <p>1m - FL002-1-TR-BK 2m - FL002-2-TR-BK 3m - FL002-3-TR-BK</p> |

| | |
|--|---|
|  | <p>Corner Connector</p> <p>White: 9511-KE-WH Black: 9511-KE-BK</p> |
|--|---|

| | |
|---|---|
|  | <p>Corner Section</p> <p>White: FL002-90-WH Black: FL002-90-BK</p> |
|---|---|

* End feed only required on one end of profile run. Choose left or right feed depending on where cable entry point is most convenient.