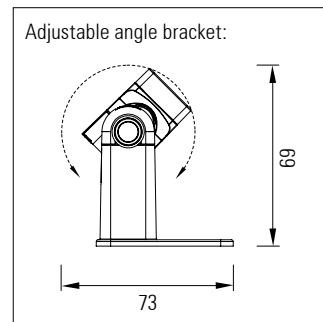
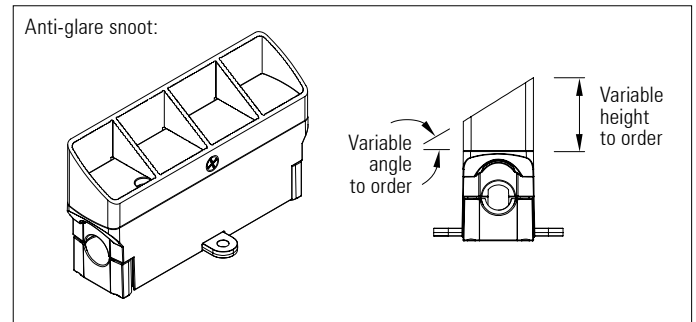
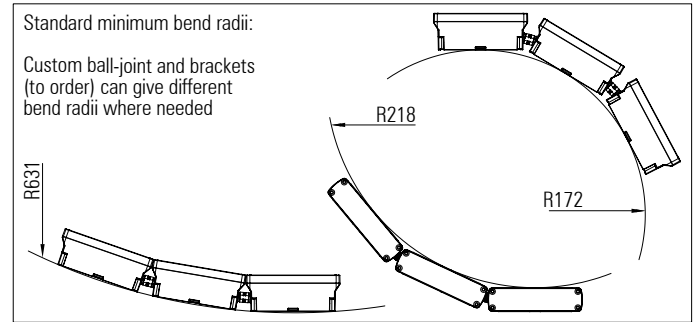
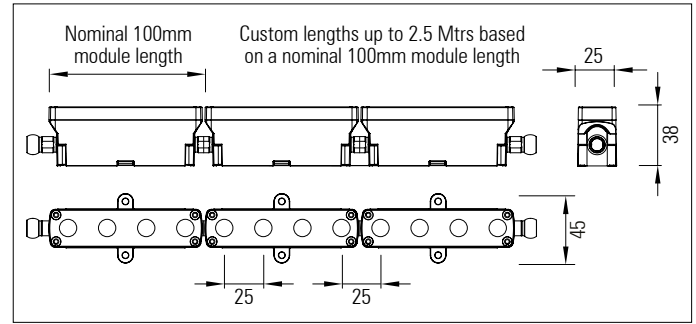


3D LED Flex 25 IP20

2 or 4 x high power LEDs with lenses per module

Modular, 3D flexible LED linear lighting system



Up to 2,500 Lumens per Mtr

2 or 4 x high power LEDs with lenses per module

Modular, 3D flexible LED linear lighting system

Product description:

For use in interior indirect cove lighting applications or direct wall washing applications where the building surfaces are non linear with curved profiles

Each module - 2 or 4 x Cree XP-E, XP-G or XQ-E LEDs or Osram Oslon LEDs with Ledil Larisa or Lisa lenses

Up to 3.5 Watts per 100mm module

30 Volt - 48 Volt DC supply depending on application

Flexible in 3 dimensions - Articulated ball-joint system between modules

LED pitch is maintained between the modules

Side, back and end power feed and connector options allow for continuous lighting with no dark areas between fixtures. 16 Amp IP20 connectors join fixtures together on-site

Integral LV constant current driver

Dimming options available: 1 - 10V, DMX and DALI

Various LED colour temperature and CRI options available

Satin black, satin white or any RAL paint colour finish

Custom lengths based on a 100 mm module up to 2.5 mtrs

Various mounting options and bracket types are available

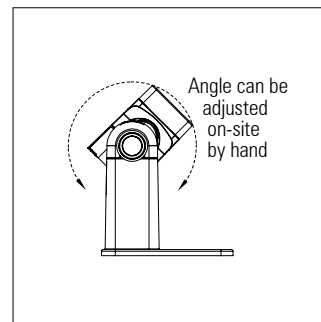
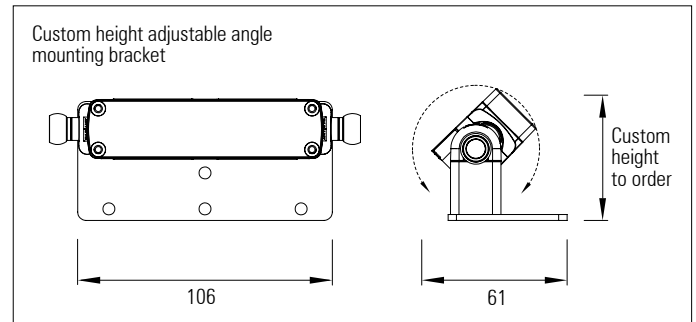
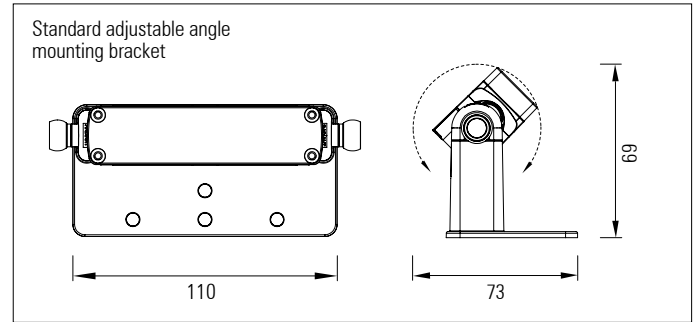
* RGB, RGBW, RGBA and Dynamic-white options do not use a colour mixing lens. For colour mixing lens versions see the data sheets for the 3D LED Flex 40 or 100 IP20 with 1 x RGBW LED array with colour-blending lens per module

Product Code	No. of LEDs per mtr.	IP	Length (mm)	LED Type	Optics (°)	Colour Temp. (K)	CRI	Cover	Bracket Type	Feed	Finish
RAD 3D LED FLEX 25 IP20 HP - 4 L	40 LEDs per Mtr: 25mm pitch	20	100mm -increments of 100mm up to- 2,500mm	Cree: XP-E XP-G XQ-E Osram: Oslon	N, M, W, E, (See attached Ledil data sheets for details) Contact Radiant for more options	27=2,700k 30=3,000k 35=3,500k 40=4,000k 45=4,500k 50=5,000k * RGB * RGBW * RGBA * Dynamic white	Cree: 80 90 Osram: 95	Clear	Fixed Adjustable Custom	End Back Side	Black White Any RAL- colour
RAD 3D LED FLEX 25 IP20 HP - 2 L	20 LEDs per Mtr: 50mm pitch										

3D LED Flex 25 IP20

2 or 4 x high power LEDs with lenses per module

Adjustable-angle mounting bracketry



Adjustable angle mounting bracketry for 3D LED Flex 25 IP20 with 2 or 4 x high power LEDs with lenses per module

The 3D LED Flex 25 system is flexible in 3 dimensions, which allows it to follow curved building contours. Once they have been fixed to the building surface, adjustable angle brackets allow the modules to be rotated around the major axis, so that the light output can be aimed precisely.

The angle of the modules can be adjusted by hand easily on-site. The friction ball-joint system keeps the modules correctly positioned.

A standard height version and a custom height version are available.

Custom options are also available.

The standard height bracket is made from polycarbonate and is available in black or white.

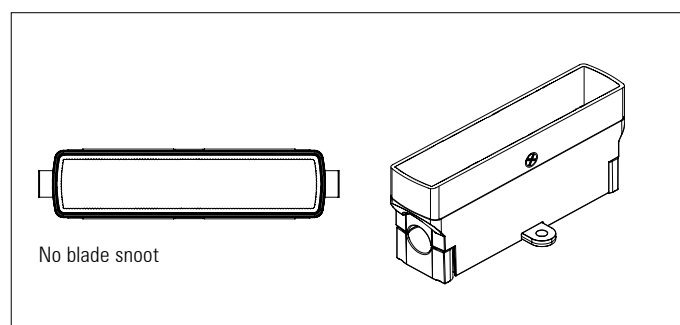
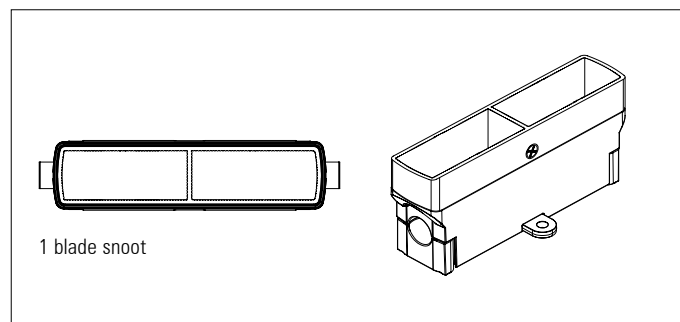
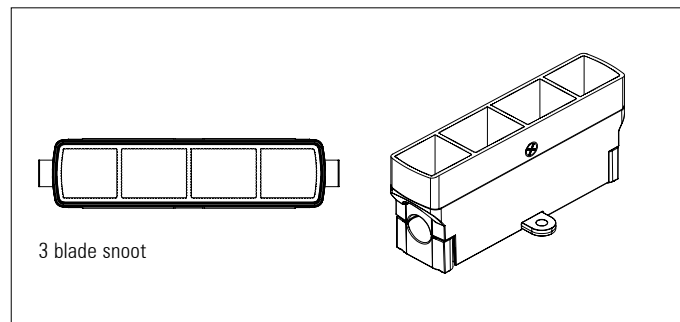
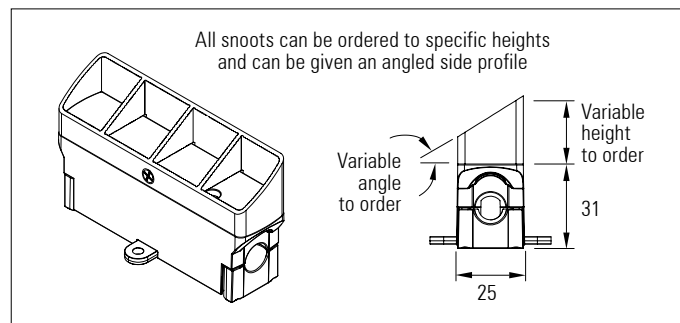
The custom-height bracket is made from aluminium with a powder coat finish which is available in satin black, satin white or any RAL paint colour finish.

Product code	IP	Finish	Height of legs (mm)
RAD 3D LED FLEX 25 IP20 ADJUSTABLE ANGLE BRACKET STANDARD PC	20	Polycarbonate: Black White	Custom height version only: 20mm
RAD 3D LED FLEX 25 IP20 ADJUSTABLE ANGLE BRACKET CUSTOM HEIGHT AL		Aluminium: Black White Any RAL colour	-increments of 5mm up to- 300mm

3D LED Flex 25 IP20

2 or 4 x high power LEDs with lenses per module

Anti-glare accessories



3D LED FLEX 25 anti-glare accessories

For use with the 3D LED Flex 25 system IP20 to control light glare from the LEDs when the fixtures are not fully recessed

3 blade, 1 blade and no blade snoots are available

Satin black, satin white or any RAL paint colour finish

Custom height to order. Straight or any custom cut angle side-profile to order

Product Code	No. of blades	IP	Height (mm)	Angle	Finish
RAD 3D LED FLEX 25 SNOOT	0	20	20mm	0°	Black
	1		-increments of 5 mm up to-	-increments of 5° up to-	White
	3		80mm	75°	Any RAL-colour

3D LED Flex 25 System

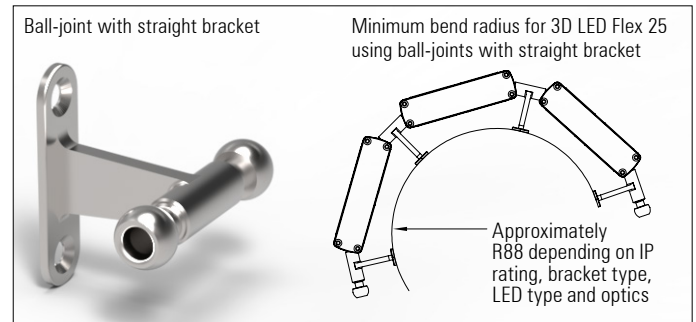
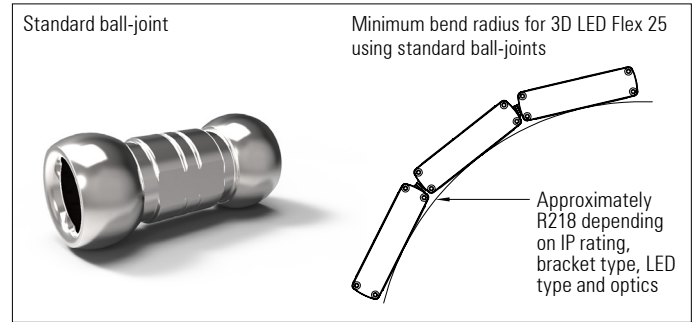
Ball-joint types

Product description:

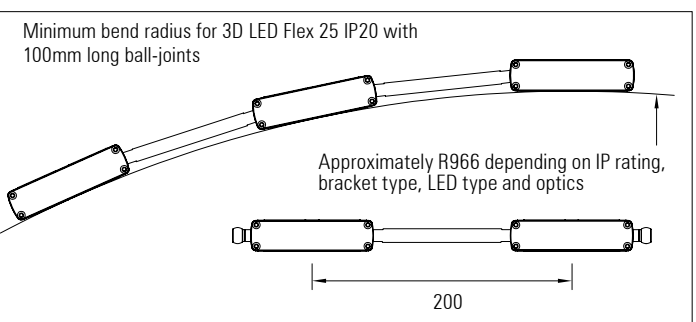
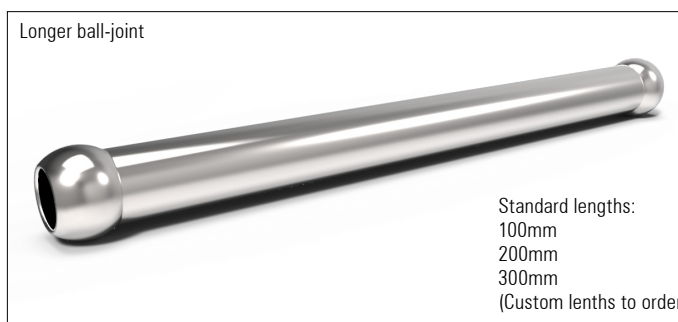
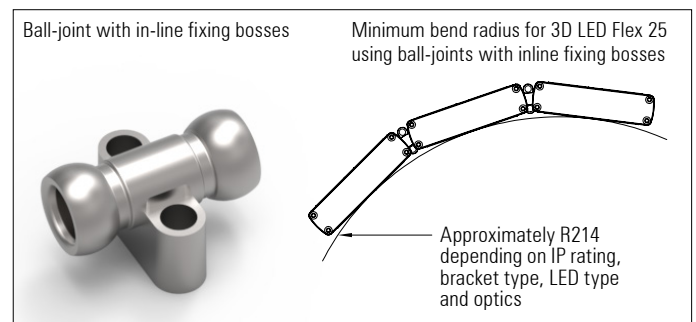
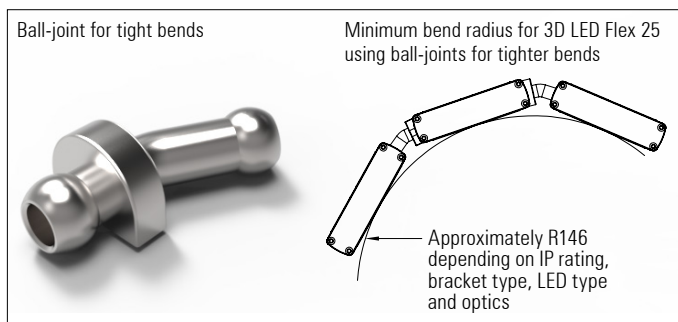
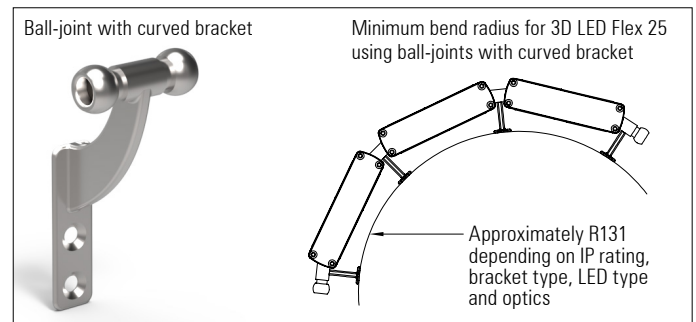
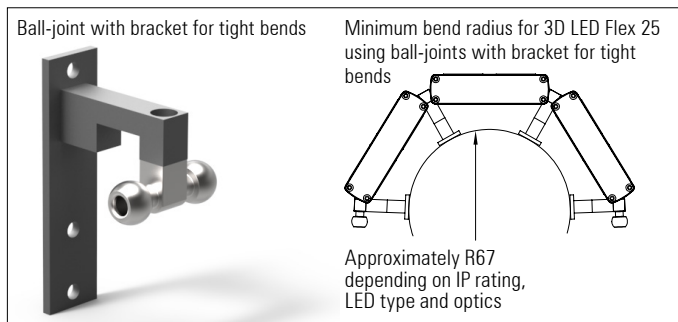
Radiant's 3D LED Flex 25 system comprises a patented articulated ball-joint system which links the heatsink modules.

The ball-joints system allows the strips to bend and twist in 3 dimensions, so that they can follow any building contours, whilst maintaining a constant LED pitch.

There are various types of ball-joint to suit different applications, some of which can be seen on this data sheet. Please contact Radiant to discuss custom solutions.



Product Code	Material	Length (mm)
STANDARD BALL-JOINT	Nickel-plated brass	(For longer ball-joint only)
BALL-JOINT STRAIGHT BRACKET		
BALL-JOINT BRACKET TIGHT BENDS		
BALL-JOINT CURVED BRACKET		
BALL-JOINT TIGHT BENDS		
BALL-JOINT LONG	Stainless steel	100mm
BALL-JOINT IN LINE FIXING		200mm
		300mm
		Custom lengths



LARISA-RS-CLIP16

~19° real spot beam. Clip fastening for 1.6 mm thick PCB

TECHNICAL SPECIFICATIONS:

Dimensions	9.9 mm
Height	7.5 mm
Fastening	clips
Colour	black
Box size	
Box weight	5.8 kg
Quantity in Box	10000 pcs
ROHS compliant	yes ⓘ



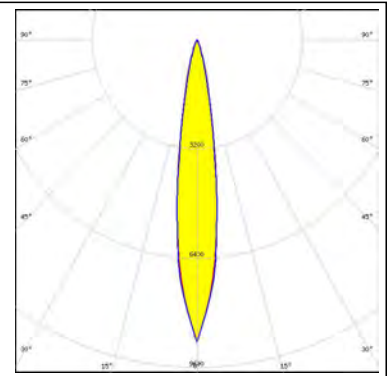
MATERIAL SPECIFICATIONS:

Component	Type	Material	Colour
LARISA-RS	Single lens	PMMA	clear
LARISA-HOLDER-CLIP16	Holder	PC	black

PHOTOMETRIC DATA (SIMULATED):

CREE 

LED XP-E
FWHM 15.0°
Efficiency 92 %
Peak intensity cd/lm
LEDs/each optic 1
Light colour White
Required components:



LARISA-M-CLIP16

~30° medium beam. Clip fastening for 1.6 mm thick PCB.

TECHNICAL SPECIFICATIONS:

Dimensions	9.9 mm
Height	7.5 mm
Fastening	clips
Colour	black
Box size	
Box weight	6.6 kg
Quantity in Box	10000 pcs
ROHS compliant	yes ⓘ



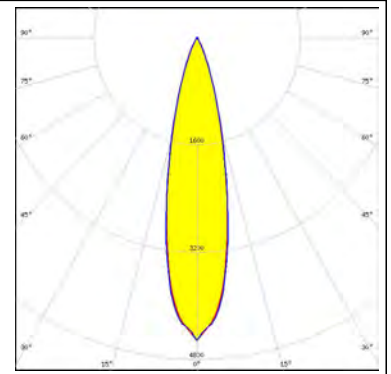
MATERIAL SPECIFICATIONS:

Component	Type	Material	Colour
LARISA-M	Single lens	PMMA	clear
LARISA-HOLDER-CLIP16	Holder	PC	black

PHOTOMETRIC DATA (SIMULATED):

CREE 

LED XP-E
FWHM 23.0°
Efficiency 94 %
Peak intensity cd/lm
LEDs/each optic 1
Light colour White
Required components:



LARISA-O-CLIP16

~40° x 20° oval beam. Clip fastening for 1.6 mm thick PCB.

TECHNICAL SPECIFICATIONS:

Dimensions	9.9 mm
Height	7.5 mm
Fastening	clips
Colour	black
Box size	300 x 260 x 260 mm
Box weight	6.6 kg
Quantity in Box	10000 pcs
ROHS compliant	yes ⓘ



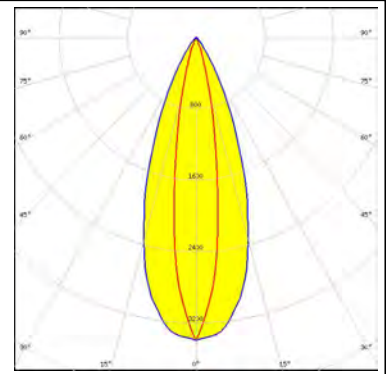
MATERIAL SPECIFICATIONS:

Component	Type	Material	Colour
LARISA-O	Single lens	PMMA	clear
LARISA-HOLDER-CLIP16	Holder	PC	black

PHOTOMETRIC DATA (SIMULATED):

CREE 

LED XP-E
FWHM 39.0 + 17.0°
Efficiency 89 %
Peak intensity cd/m
LEDs/each optic 1
Light colour White
Required components:



LARISA-W-CLIP16

~50° wide beam. Clip fastening for 1.6 mm thick PCB

TECHNICAL SPECIFICATIONS:

Dimensions	9.9 mm
Height	7.5 mm
Fastening	glue, clips
Colour	black
Box size	
Box weight	6.6 kg
Quantity in Box	10000 pcs
ROHS compliant	yes ⓘ



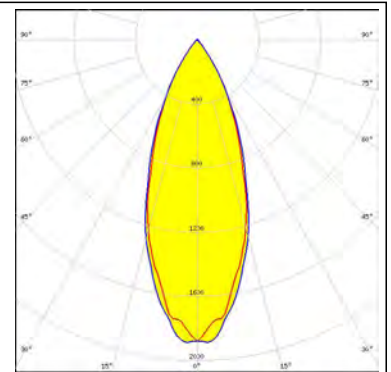
MATERIAL SPECIFICATIONS:

Component	Type	Material	Colour
LARISA-W	Single lens	PMMA	clear
LARISA-HOLDER-CLIP16	Holder	PC	black

PHOTOMETRIC DATA (SIMULATED):

CREE ⇄

LED XP-E
FWHM 39.0°
Efficiency 95 %
Peak intensity cd/lm
LEDs/each optic 1
Light colour White
Required components:



OSRAM
Opto Semiconductors

LED Oslon SSL 80
FWHM 49.0°
Efficiency 83 %
Peak intensity 1.160 cd/lm
LEDs/each optic 1
Light colour White
Required components:

