

Linear H profile with cable management space under the luminaire

LIGHT OUTPUT

CCT/LED Colour (K)	2700
CRI	80
Luminaire Lumens	147
Optical Data/Beam Angle (°)	Diffused
LED Binning	3 SDCM

ELECTRICAL

Watts per metre (W/m)	24
Input Voltage	24 VDC (23V min, 25V max)
Connection Type	JST JWPS IP67
Maximum Chain Length (mm)	5000
Approx. Power Consumption (W)	4
Dimmable	Yes
Max Luminaire Length (mm)	1005

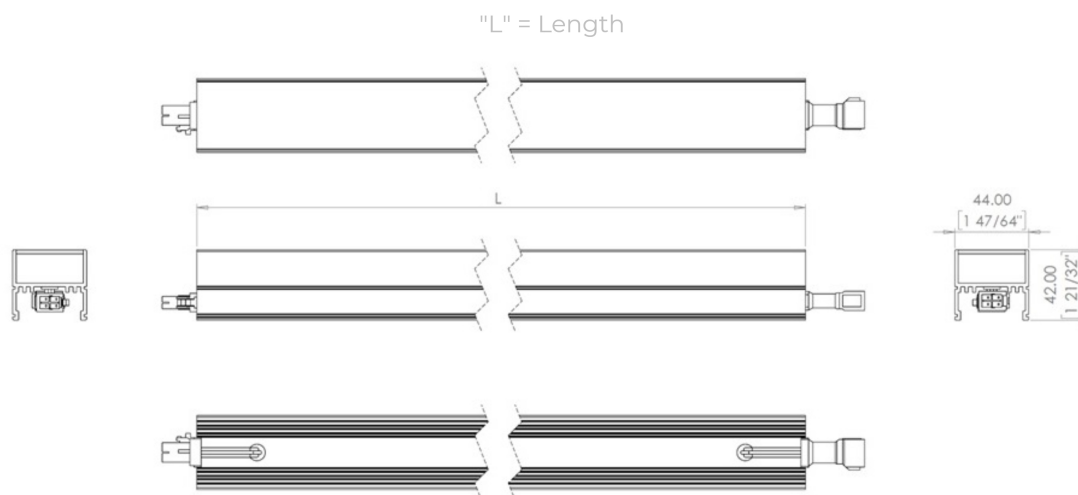
PHYSICAL & ENVIRONMENTAL

Finish	Silver Anodised Housing
Length (mm)	105
Ambient Storage Temperature (°C)	-30 to +85
Ambient Operating Temperature (°C)	-10 to +50
IP Rating	IP67
IK Rating	N/A
LED Pitch (mm)	8.33
Cable Exit/Entry	Bottom-Exit
Weight (g)	N/A

PRODUCT FEATURES

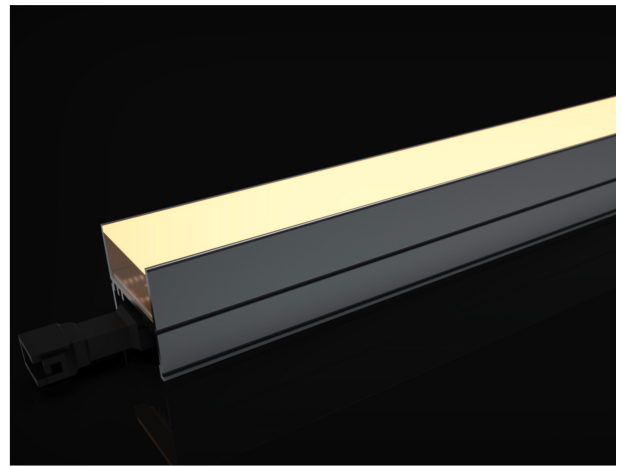
- End to end LED lit capabilities
- 44 x 42 mm / 1.73" x 1.65" cross-section.
- IP67 rated with cable management under the LED luminaire.
- Dimmable via remote LED driver
- Proprietary potting technology provides a smooth even lit surface

DIMENSIONS



PART NUMBER: VEX-LUMAERA-44-H - 2700K - 105 - 24W - IP67 - DIF

Provided data are typical values. Due to tolerances of the production process, figures for light output, electrical data etc can vary up to 10%. The Tc-point must be measured in thermal equilibrium in accordance with IEC EN 60598-1.



SPECIFICATION TEXT

A robust aluminium based LED luminaire. Manufactured in the UK using advanced and resistant polyurethane resin components for durability and wet location use. This unique product is designed to connect end to end on a building facade, features or direct view applications. This product offers superb light output from a homogeneous light emitting surface.

Linear H profile with cable management space under the luminaire

LIGHT OUTPUT

CCT/LED Colour (K)	2700K - 5000K
CRI	80
Luminaire Lumens	180
Optical Data/Beam Angle (°)	Diffused
LED Binning	3 SDCM

ELECTRICAL

Watts per metre (W/m)	24
Input Voltage	24 VDC (23V min, 25V max)
Connection Type	JST JWPS IP67
Maximum Chain Length (mm)	5000
Approx. Power Consumption (W)	4
Dimmable	Yes
Max Luminaire Length (mm)	1005

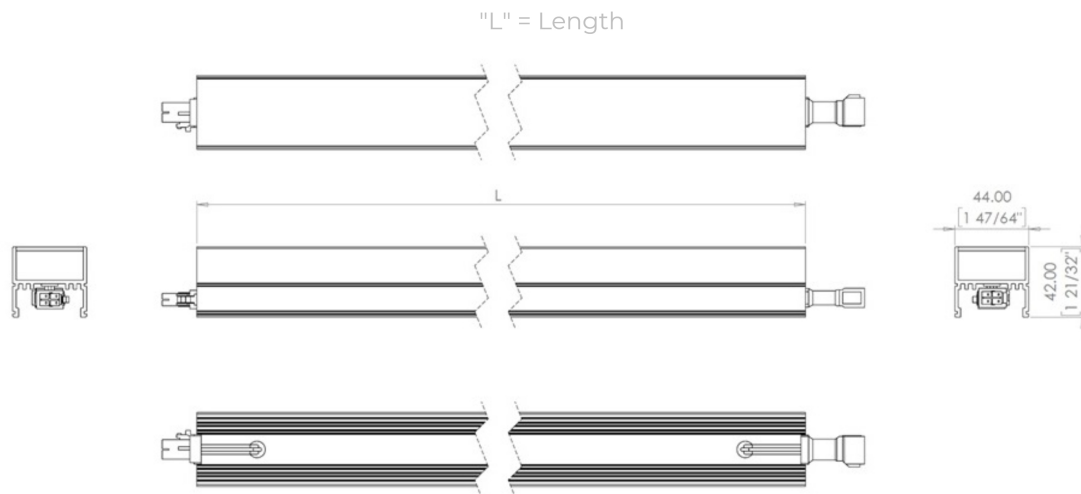
PHYSICAL & ENVIRONMENTAL

Finish	Silver Anodised Housing
Length (mm)	105
Ambient Storage Temperature (°C)	-30 to +85
Ambient Operating Temperature (°C)	-10 to +50
IP Rating	IP67
IK Rating	N/A
LED Pitch (mm)	8.33
Cable Exit/Entry	Bottom-Exit
Weight (g)	N/A

PRODUCT FEATURES

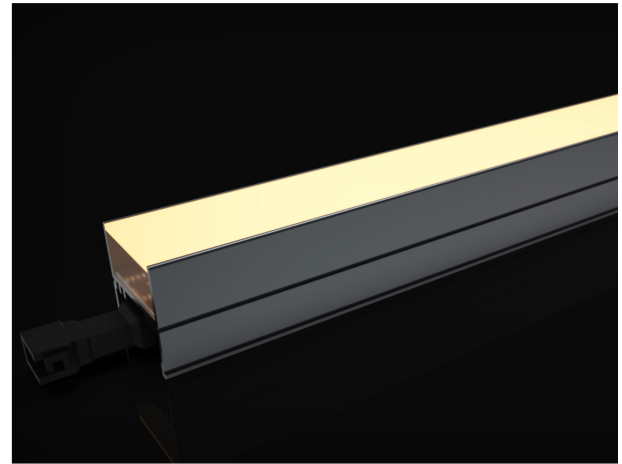
- End to end LED lit capabilities
- 44 x 42 mm / 1.73" x 1.65" cross-section.
- IP67 rated with cable management under the LED luminaire.
- Dimmable via remote LED driver
- Proprietary potting technology provides a smooth even lit surface

DIMENSIONS



PART NUMBER: VEX-LUMAERA-44-H-TW - 2700K - 5000K - 105 - 24W - IP67 - DIF

Provided data are typical values. Due to tolerances of the production process, figures for light output, electrical data etc can vary up to 10%. The Tc-point must be measured in thermal equilibrium in accordance with IEC EN 60598-1.



SPECIFICATION TEXT

A robust aluminium based LED luminaire. Manufactured in the UK using advanced and resistant polyurethane resin components for durability and wet location use. This unique product is designed to connect end to end on a building facade, features or direct view applications. This product offers superb light output from a homogeneous light emitting surface.

Linear H profile with cable management space under the luminaire

LIGHT OUTPUT

CCT/LED Colour (K)	RGB
CRI	N/A
Luminaire Lumens	N/A
Optical Data/Beam Angle (°)	Diffused
LED Binning	RGB

ELECTRICAL

Watts per metre (W/m)	24
Input Voltage	24 VDC (23V min, 25V max)
Connection Type	JST JWPF IP67
Maximum Chain Length (mm)	5000
Approx. Power Consumption (W)	4
Dimmable	Yes
Max Luminaire Length (mm)	1005

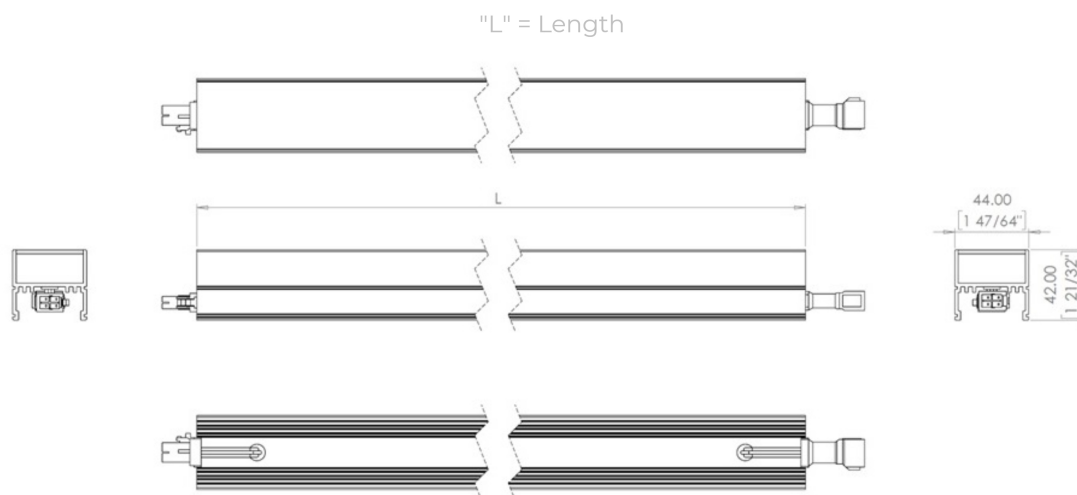
PHYSICAL & ENVIRONMENTAL

Finish	Silver Anodised Housing
Length (mm)	105
Ambient Storage Temperature (°C)	-30 to +85
Ambient Operating Temperature (°C)	-10 to +50
IP Rating	IP67
IK Rating	N/A
LED Pitch (mm)	8.33
Cable Exit/Entry	Bottom-Exit
Weight (g)	N/A

PRODUCT FEATURES

- End to end LED lit capabilities
- 44 x 42 mm / 1.73" x 1.65" cross-section.
- IP67 rated with cable management under the LED luminaire.
- Controlled by remote dynamic driver.
- Proprietary potting technology provides a smooth even lit surface.

DIMENSIONS

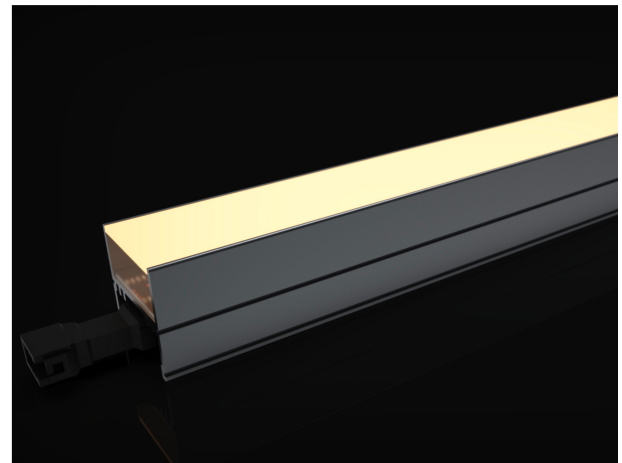


PART NUMBER: VEX-LUMAERA-44-H - RGB-DYN - 105 - 24W - IP67 - DIF

Provided data are typical values. Due to tolerances of the production process, figures for light output, electrical data etc can vary up to 10%. The Tc-point must be measured in thermal equilibrium in accordance with IEC EN 60598-1.

Copyright © Vexica. All rights reserved. For informational purposes only.

Not a warranty or specification. Data subject to change without prior notice.



SPECIFICATION TEXT

A robust aluminium based LED luminaire. Manufactured in the UK using advanced and resistant polyurethane resin components for durability and wet location use. This unique product is designed to connect end to end on a building facade, features or direct view applications. This product offers superb light output from a homogeneous light emitting surface.

*Must be used in conjunction with Hybriddrive6 or Artnet1020 driver + PSU
*The max cable length from the first fitting to the driver is 1m, any extensions will require additional equipment. (Contact Vexica for more information)

Linear H profile with cable management space under the luminaire

LIGHT OUTPUT

CCT/LED Colour (K)	RGB
CRI	N/A
Luminaire Lumens	N/A
Optical Data/Beam Angle (°)	Diffused
LED Binning	RGB

ELECTRICAL

Watts per metre (W/m)	24
Input Voltage	24 VDC (23V min, 25V max)
Connection Type	JST JWPS IP67
Maximum Chain Length (mm)	5000
Approx. Power Consumption (W)	4
Dimmable	Yes
Max Luminaire Length (mm)	1005

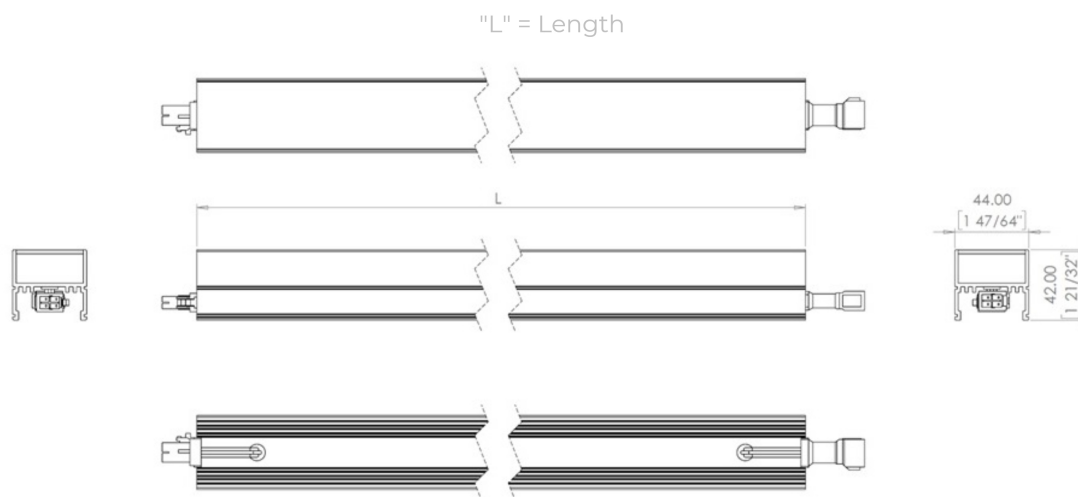
PHYSICAL & ENVIRONMENTAL

Finish	Silver Anodised Housing
Length (mm)	105
Ambient Storage Temperature (°C)	-30 to +85
Ambient Operating Temperature (°C)	-10 to +50
IP Rating	IP67
IK Rating	N/A
LED Pitch (mm)	8.33
Cable Exit/Entry	Bottom-Exit
Weight (g)	N/A

PRODUCT FEATURES

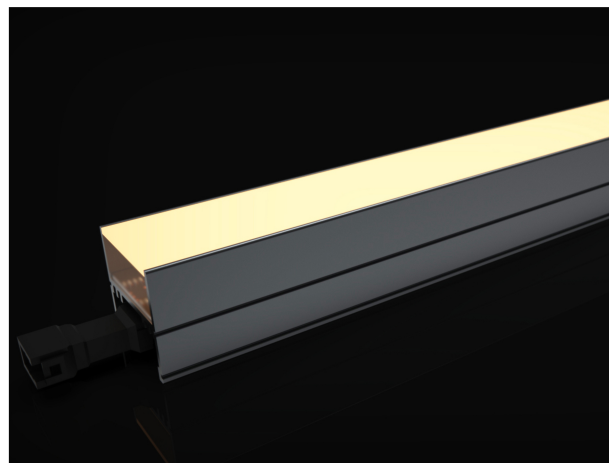
- End to end LED lit capabilities
- 44 x 42 mm / 1.73" x 1.65" cross-section.
- IP67 rated with cable management under the LED luminaire.
- Dimmable via remote LED driver
- Proprietary potting technology provides a smooth even lit surface

DIMENSIONS



PART NUMBER: VEX-LUMAERA-44-H-RGB - RGB - 105 - 24W - IP67 - DIF

Provided data are typical values. Due to tolerances of the production process, figures for light output, electrical data etc can vary up to 10%. The Tc-point must be measured in thermal equilibrium in accordance with IEC EN 60598-1.



SPECIFICATION TEXT

A robust aluminium based LED luminaire. Manufactured in the UK using advanced and resistant polyurethane resin components for durability and wet location use. This unique product is designed to connect end to end on a building facade, features or direct view applications. This product offers superb light output from a homogeneous light emitting surface.