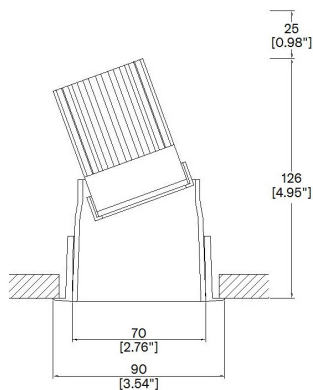


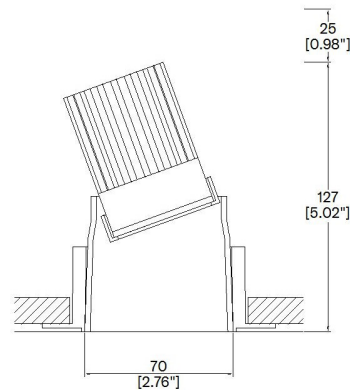
## ProSpex Soft70 Accent



90mm (3.54") overall trim diameter. 70mm (2.76") overall trimless diameter. 360° rotation. Up to 20° tilt. Available with standard trim kit or plaster-in kit for flush appearance. Family of matching products also available. Required depth height + 25mm^



073-LED-TR  
Cut-out 79mm Ø



073-LED-TL  
Cut-out 79mm Ø

LED Source	LED51/2	LED51/2	LED51/2
CCT	3000K	3000K	3000K
Drive Current	350mA	350mA	350mA
Power inc Driver	13.6W	13.6W	13.6W
Beam Angle	12°	24°	38°
Delivered Lumens	1016	1033	1086
Delivered Intensisty cd	13104	4855	2870
Efficacy lm/w	75	76	80
Forward Volt	36V	36V	36V
CRI	≥90 CRI	≥90 CRI	≥90 CRI

Project Ref: \_\_\_\_\_

Location Ref: \_\_\_\_\_

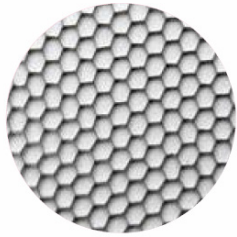
**Fixture Order Code:**  -  -  -  -

<b>Fixture</b>	073-LED	Soft70 Accent with LED51
<b>Installation</b>	TR TL	Trim Trimless
<b>Body Finish</b>	WH BK RAL	White Black Custom RAL Colour*
<b>Trim Finish (Leave blank if trimless)</b>	WH BK RAL	White Black Custom RAL Colour*
<b>Emergency</b>	E ED ES	Maintained 3hr Emergency Maintained 3hr DALI Self Test Maintained 3hr Self Test



**LED Order Code:**  -  -  -

<b>LED</b>	LED51/2	LED50 ONE GEN2
<b>CCT</b>	927 930 940	90 CRI 2700K 90 CRI 3000K 90 CRI 4000K
<b>Beam</b>	12 24 38	12° 24° 38°
<b>Protocol</b>	S A P D B	Non-Dim Analogue (0-10v) Phase DALI Bluetooth**



**Honeycomb Louvre**



**Diffusing Lens**



**Frosted Lens**



**Heavy Spread Lens**



**Linear Spread Lens**



**Warm Tone**

Accessories Order Code:

**Louvre/Lens**

- LL45 Honeycomb Louvre
- LLCC Warm Tone Lens
- LLUV UV Lens
- LLDF Diffusing Lens
- LLFR Frosted Lens
- LLLS Linear Spread Lens
- LLHS Heavy Spread Lens

**Technical Details**

\*Custom RAL code must be specified. Custom RAL colours can increase prices and lead times

Dimming. Whilst Lucent can offer the majority of its luminaires with various dimming options, it remains the responsibility of the specifier/installer to check and ensure compatibility of any control equipment used. Additional cabling may be required depending on the dimming protocol specified.

\*\*Bluetooth (wireless) is the communication method. The exact dimming protocol must be confirmed to allow the selection of suitable drivers or bluetooth devices.

^ Depth indicated is the minimum recess depth for the luminaire with a remote mounted LED driver. Installing a driver through either the luminaire cut-out or installation kit may require additional recess depth, please refer to the relevant luminaire installation instructions for further details. Data correct at time of publishing

First Fix Requirement. Luminaire comprised of fixture body with ceiling trim and installation kit, which is to be fitted into the ceiling once finished. Ensure correct alignment of the installation kit before final assembly (see luminaire installation instructions for details)

IP Rating. Tested from underside of the ceiling

It is the policy of Lucent Lighting to continually review and improve its products and therefore reserve the right to change any details of product or withdraw specifications without prior notice.

Luminaires designed to comply with EN60598 and all other standards.

This specification sheet superseded all previous versions.

All intellectual property rights pertaining to the product described above and to this document are owned by or licensed to Lucent Lighting Ltd.

We reserve the right to take whatever action is necessary to protect those intellectual property rights.

Please notify Lucent Lighting Ltd of any inaccuracies immediately. E&OE

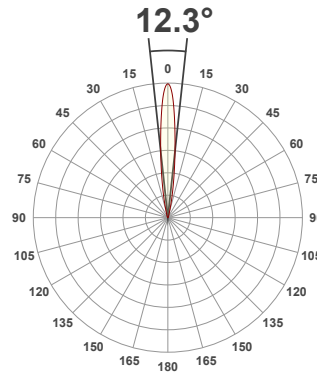
**Light efficiency:**



**Light quality:**



**Color temperature:**



**Product name:**

**Soft 70 Accent - LED51 GEN2, 3000K, 12°, 350mA**

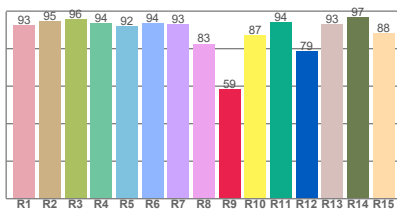
**Item number:**

**073-LED51/2-30-12-350mA**

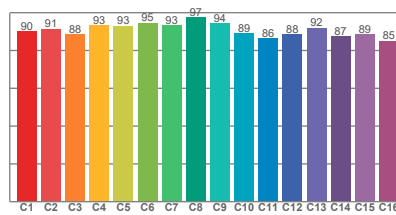
**Delivered information for above fixture and LED combination.**

**Output: 1016 Lumen Peak intensity: 13104 cd Power consumption: 13.6**

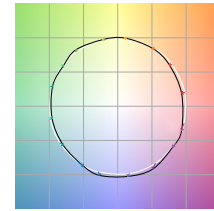
**CRI R values**



**TM30 C Values**

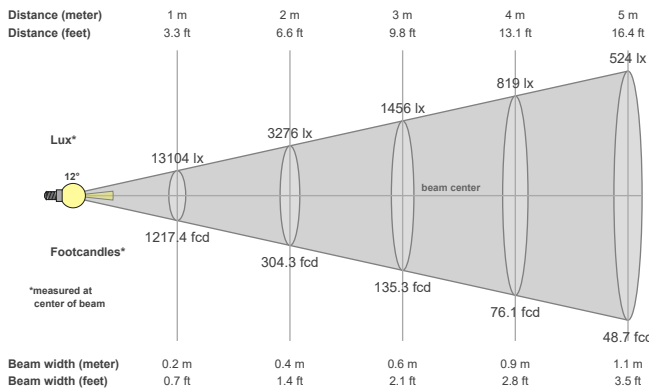


**Color vector graphics**



Color temperature	Color rendering index	Red component	Color fidelity	Color gamut	Color quality scale	Color coordinate cie 1931	Color coordinate cie 1931	Color coordinate	Color coordinate	Color deviation from black body
CCT	CRI	CRI R9	TM30 Rf	TM30 Rg	CQS	x	y	u	v	Δuv
3000 K	92.3	58.6	90.8	99.7	90.8	0.437	0.404	0.250	0.348	0.0010

**Beam details**



**Beam angles**

Beam angle 50%	Field angle 10%	Cutoff angle 2,5%
12.3°	25.7°	38.9°

**Beam intensities**

Peak intensity	Int. ratio in 120° cone	Int. ratio in 90° cone
13104 cd	97.9%	95.8%

**Beam intensities from 1-20m**

1m	2m	3m	4m	5m	6m	7m	8m	9m	10m	11m	12m	13m	14m	15m	16m	17m	18m	19m	20m
3.3ft	6.6ft	9.8ft	13.1ft	16.4ft	19.7ft	23ft	26.2ft	29.5ft	32.8ft	36.1ft	39.4ft	42.7ft	45.9ft	49.2ft	52.5ft	55.8ft	59.1ft	62.3ft	65.6ft
13104lx	3276lx	1456lx	819lx	524lx	364lx	267lx	205lx	162lx	131lx	108lx	91lx	78lx	67lx	58lx	51lx	45lx	40lx	36lx	33lx
1217.4fcd	304.3fcd	135.3fcd	76.1fcd	48.7fcd	33.8fcd	24.8fcd	19fcd	15fcd	12.2fcd	10.1fcd	8.5fcd	7.2fcd	6.2fcd	5.4fcd	4.8fcd	4.2fcd	3.8fcd	3.4fcd	3fcd

The above information is for 3000K colour temperature, for specific module information please see LED spec located on our website

For information regarding other colour temperatures please use the following factors for lumen output and candelas:

2700K = 1  
4000K = 1.084

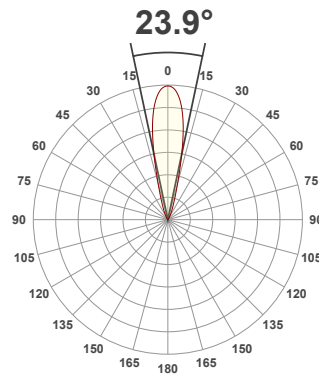
**Light efficiency:**



**Light quality:**



**Color temperature:**



**Product name:**

**Soft 70 Accent - LED51 GEN2, 3000K, 24°, 350mA**

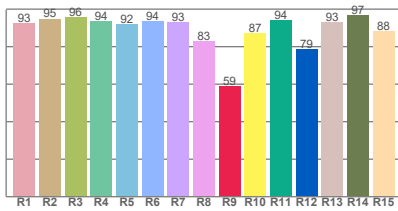
**Item number:**

**073-LED51/2-30-24-350mA**

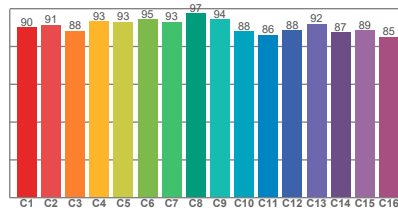
**Delivered information for above fixture and LED combination.**

**Output: 1033 Lumen Peak intensity: 4855 cd Power consumption: 13.6**

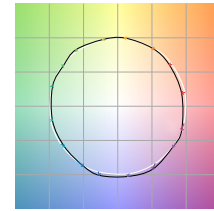
**CRI R values**



**TM30 C Values**

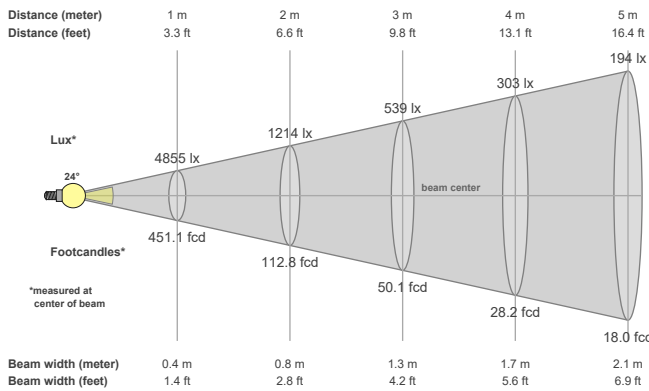


**Color vector graphics**



Color temperature	Color rendering index	Red component	Color fidelity	Color gamut	Color quality scale	Color coordinate cie 1931	Color coordinate cie 1931	Color coordinate	Color coordinate	Color diviation from black body
CCT	CRI	CRI R9	TM30 Rf	TM30 Rg	CQS	x	y	u	v	Δuv
3000 K	92.4	58.9	90.7	99.8	90.8	0.437	0.404	0.249	0.348	0.0008

**Beam details**



**Beam angels**

Beam angle 50%	Field angle 10%	Cutoff angle 2,5%
23.9°	42.6°	62°

**Beam intensities**

Peak intensity	Int. ratio in 120° cone	Int. ratio in 90° cone
4855 cd	98.0%	95.8%

**Beam intensities from 1-20m**

1m	2m	3m	4m	5m	6m	7m	8m	9m	10m	11m	12m	13m	14m	15m	16m	17m	18m	19m	20m
3.3ft	6.6ft	9.8ft	13.1ft	16.4ft	19.7ft	23ft	26.2ft	29.5ft	32.8ft	36.1ft	39.4ft	42.7ft	45.9ft	49.2ft	52.5ft	55.8ft	59.1ft	62.3ft	65.6ft
4855lx	1214lx	539lx	303lx	194lx	135lx	99lx	76lx	60lx	49lx	40lx	34lx	29lx	25lx	22lx	19lx	17lx	15lx	13lx	12lx
451.1fcd	112.8fcd	50.1fcd	28.2fcd	18fcd	12.5fcd	9.2fcd	7fcd	5.6fcd	4.5fcd	3.7fcd	3.1fcd	2.7fcd	2.3fcd	2fcd	1.8fcd	1.6fcd	1.4fcd	1.2fcd	1.1fcd

The above information is for 3000K colour temperature, for specific module information please see LED spec located on our website

For information regarding other colour temperatures please use the following factors for lumen output and candelas:

2700K = 1  
4000K = 1.084

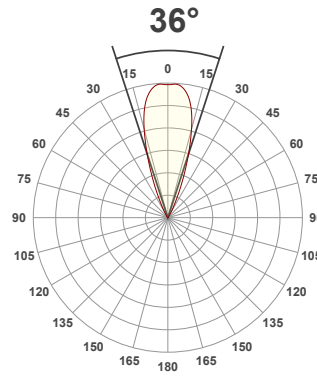
**Light efficiency:**



**Light quality:**



**Color temperature:**



**Product name:**

**Soft 70 Accent - LED51 GEN2, 3000K, 38°, 350mA**

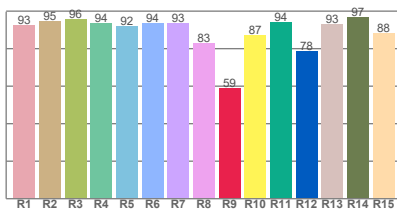
**Item number:**

**073-LED51/2-30-38-350mA**

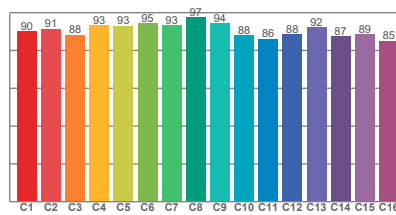
**Delivered information for above fixture and LED combination.**

**Output: 1086 Lumen Peak intensity: 2870 cd Power consumption: 13.6**

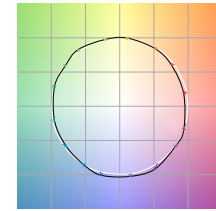
**CRI R values**



**TM30 C Values**

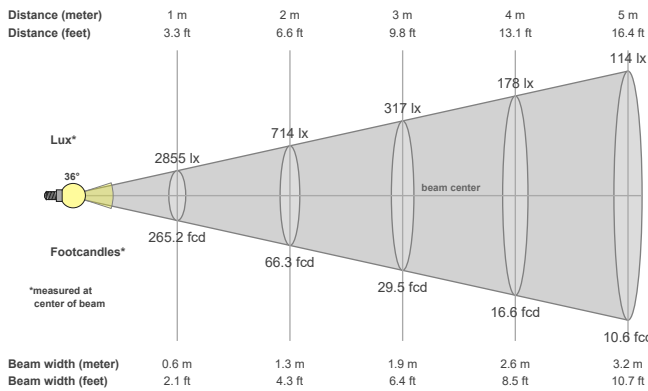


**Color vector graphics**



Color temperature	Color rendering index	Red component	Color fidelity	Color gamut	Color quality scale	Color coordinate cie 1931	Color coordinate cie 1931	Color coordinate	Color coordinate	Color deviation from black body
CCT	CRI	CRI R9	TM30 Rf	TM30 Rg	CQS	x	y	u	v	Δuv
3000 K	92.4	59.1	90.8	99.8	90.8	0.437	0.404	0.249	0.348	0.0009

**Beam details**



**Beam angels**

Beam angle 50%	Field angle 10%	Cutoff angle 2,5%
36°	53.9°	67.6°

**Beam intensities**

Peak intensity	Int. ratio in 120° cone	Int. ratio in 90° cone
2870 cd	98.7%	97.2%

**Beam intensities from 1-20m**

1m	2m	3m	4m	5m	6m	7m	8m	9m	10m	11m	12m	13m	14m	15m	16m	17m	18m	19m	20m
3.3ft	6.6ft	9.8ft	13.1ft	16.4ft	19.7ft	23ft	26.2ft	29.5ft	32.8ft	36.1ft	39.4ft	42.7ft	45.9ft	49.2ft	52.5ft	55.8ft	59.1ft	62.3ft	65.6ft
2855lx	714lx	317lx	178lx	114lx	79lx	58lx	45lx	35lx	29lx	24lx	20lx	17lx	15lx	13lx	11lx	10lx	9lx	8lx	7lx
265.2fcd	66.3fcd	29.5fcd	16.6fcd	10.6fcd	7.4fcd	5.4fcd	4.1fcd	3.3fcd	2.7fcd	2.2fcd	1.8fcd	1.6fcd	1.4fcd	1.2fcd	1fcd	0.9fcd	0.8fcd	0.7fcd	0.7fcd

The above information is for 3000K colour temperature, for specific module information please see LED spec located on our website

For information regarding other colour temperatures please use the following factors for lumen output and candelas:

2700K = 1  
4000K = 1.084