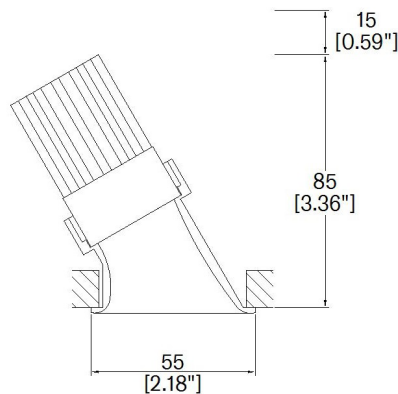


## ProSpex Flare55 Wallwash



55mm (2.17") overall diameter. Available with standard trim kit. Family of matching products also available. Required depth height + 15mm^



550-LED-WW  
Cut-out 48mm Ø

LED Source	LED35/2
CCT	3000K
Drive Current	350mA
Power inc Driver	7.4W
Beam Angle	36°
Delivered Lumens	179
Delivered Intensisty cd	397
Efficacy lm/w	24
Forward Volt	18V
CRI	≥90 CRI

Project Ref: \_\_\_\_\_

Location Ref: \_\_\_\_\_

### Fixture Order Code:

550-LED-WW	-		-		-	
------------	---	--	---	--	---	--

Fixture  
550-LED-WW      Flare55 Wallwash with LED35 GEN2

Finish  
WH      White  
BK      Black  
RAL      Custom RAL Colour\*

IP Rating  
44      IP44

Emergency  
E      Maintained 3hr Emergency  
ED      Maintained 3hr DALI Self Test  
ES      Maintained 3hr Self Test

### LED Order Code:

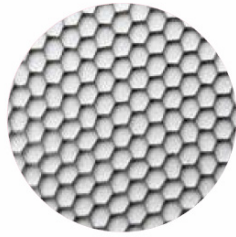
LED35/2	-		-	36	-	
---------	---	--	---	----	---	--

LED  
LED35/2      LED35 GEN2

CCT  
927      90 CRI 2700K  
930      90 CRI 3000K  
940      90 CRI 4000K

Beam  
36      36°

Protocol  
S      Non-Dim  
A      Analogue (0-10v)  
P      Phase  
D      DALI  
B      Bluetooth\*\*



Honeycomb Louvre



Warm Tone

Accessories Order Code:

Louvre/Lens

LS45 Honeycomb Louvre  
 LSCC Warm Tone Lens  
 LSUV UV Lens

## Technical Details

\*Custom RAL code must be specified. Custom RAL colours can increase prices and lead times

Dimming. Whilst Lucent can offer the majority of its luminaires with various dimming options, it remains the responsibility of the specifier/installer to check and ensure compatibility of any control equipment used. Additional cabling may be required depending on the dimming protocol specified.

\*\*Bluetooth (wireless) is the communication method. The exact dimming protocol must be confirmed to allow the selection of suitable drivers or bluetooth devices.

^ Depth indicated is the minimum recess depth for the luminaire with a remote mounted LED driver. Installing a driver through either the luminaire cut-out or installation kit may require additional recess depth, please refer to the relevant luminaire installation instructions for further details. Data correct at time of publishing

First Fix Requirement. Luminaire comprised of fixture body with ceiling trim and installation kit, which is to be fitted into the ceiling once finished. Ensure correct alignment of the installation kit before final assembly (see luminaire installation instructions for details)

IP Rating. Tested from underside of the ceiling

It is the policy of Lucent Lighting to continually review and improve its products and therefore reserve the right to change any details of product or withdraw specifications without prior notice.

Luminaires designed to comply with EN60598 and all other standards.

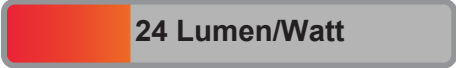
This specification sheet supersedes all previous versions.

All intellectual property rights pertaining to the product described above and to this document are owned by or licensed to Lucent Lighting Ltd.

We reserve the right to take whatever action is necessary to protect those intellectual property rights.

Please notify Lucent Lighting Ltd of any inaccuracies immediately. E&OE

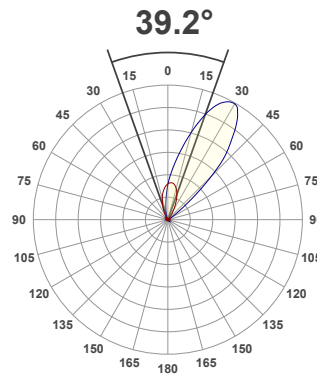
**Light efficiency:**



**Light quality:**



**Color temperature:**



**Product name:**

**Flare55 Wallwash - LED35 GEN2, 3000K, 36°, 350mA**

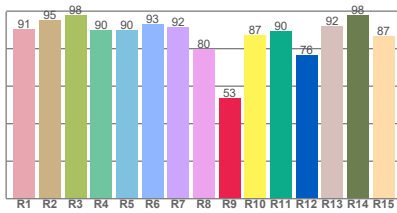
**Item number:**

**550-WW - LED35/2-30-36-350mA**

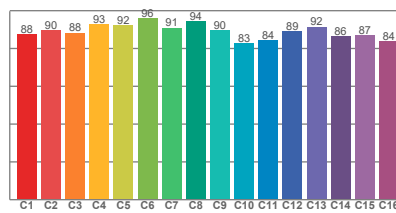
**Delivered information for above fixture and LED combination.**

**Output: 179 Lumen Peak intensity: 397 cd Power consumption: 7.4**

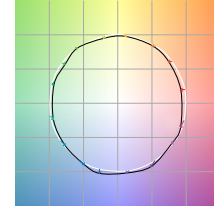
**CRI R values**



**TM30 C Values**

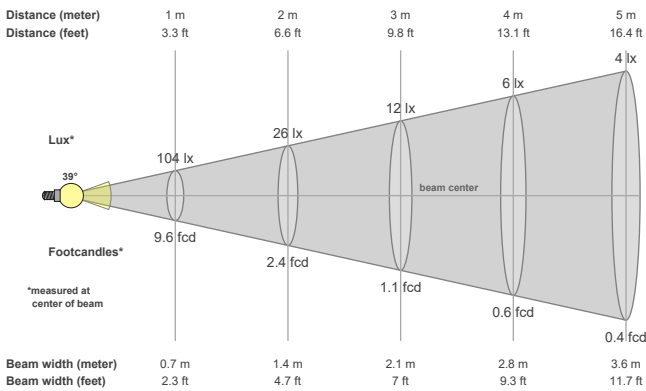


**Color vector graphics**



Color temperature	Color rendering index	Red component	Color fidelity	Color gamut	Color quality scale	Color coordinate cie 1931	Color coordinate cie 1931	Color coordinate	Color coordinate	Color deviation from black body
CCT	CRI	CRI R9	TM30 Rf	TM30 Rg	CQS	x	y	u	v	Δuv
3000 K	91.0	53.4	89.1	97.4	89.5	0.437	0.404	0.248	0.348	0.0009

**Beam details**



**Beam angels**

Beam angle 50%	Field angle 10%	Cutoff angle 2,5%
39.2°	66.6°	84°

**Beam intensities**

Peak intensity	Int. ratio in 120° cone	Int. ratio in 90° cone
397 cd	99.7%	91.3%

**Beam intensities from 1-20m**

1m	2m	3m	4m	5m	6m	7m	8m	9m	10m	11m	12m	13m	14m	15m	16m	17m	18m	19m	20m
3.3ft	6.6ft	9.8ft	13.1ft	16.4ft	19.7ft	23ft	26.2ft	29.5ft	32.8ft	36.1ft	39.4ft	42.7ft	45.9ft	49.2ft	52.5ft	55.8ft	59.1ft	62.3ft	65.6ft
104lx	26lx	12lx	6lx	4lx	3lx	2lx	2lx	1lx	1lx	1lx	1lx	1lx	1lx	0lx	0lx	0lx	0lx	0lx	0lx
9.6fcd	2.4fcd	1.1fcd	0.6fcd	0.4fcd	0.3fcd	0.2fcd	0.2fcd	0.1fcd	0.1fcd	0.1fcd	0.1fcd	0.1fcd	0fcd	0fcd	0fcd	0fcd	0fcd	0fcd	0fcd

The above information is for 3000K colour temperature, for specific module information please see LED spec located on our website

For information regarding other colour temperatures please use the following factors for lumen output and candelas:

2700K = 0.944  
4000K = 1.065