

Linear

# TANA 207

## Specification sheet



<b>Dimension</b>	H18/W25/L120-2020mm (H0.71/W0.98/L4.72-79.53in)
<b>PCB increment</b>	83.3mm increment/2000mm max (3.28in increment/78.74in max)
<b>LED pitch</b>	13.9mm - 144LED/m (0.55in - 43.9LED/ft) between same coloured LEDs
<b>Chip</b>	<b>s-line</b> Toyoda Gosei <b>k-line</b> Samsung
<b>Beam angle</b>	90° (Clear Cover 45°) / 50° (Clear Cover 5°) / 110° (Diffused Cover)
<b>Colours</b>	<b>s-line</b> 2100K/2500K/2700K/3000K/3500K/4000K/5000K <b>k-line</b> 1900K/2100K/2500K/2700K/3000K/3500K/4000K/5000K
<b>Bin/Step</b>	<b>s-line</b> 2.5-step MacAdam ellipse <b>k-line</b> 3-step MacAdam ellipse
<b>CRI</b>	≥ 90
<b>Lifetime</b>	35,000 hours @ 25°C (35,000 hours @ 77°F)
<b>Operating temp</b>	T <sub>a</sub> = -25 to 60°C (T <sub>C</sub> max = 72.9°C) T <sub>a</sub> = -13 to 140°F (T <sub>C</sub> max = 163.2°F)
<b>IP rating</b>	IP40
<b>Finish</b>	Silver anodised
<b>Cover/lens</b>	Clear/Diffused
<b>Mounting</b>	Surface mounting via screw fixing, 3M tape or magnets
<b>Power feed</b>	Hardwire tails or male/female connectors
<b>Control</b>	0-10V/1-10V/DMX/DALI



### LED Grading Key

#### Exclusive Grade

<b>s</b> s-line*	*KKDC tuned CCT range
2.5-step CCT range	CCT range

#### Base Grade

<b>k</b> k-line	3-step commercial range
	Energy Star CCTs

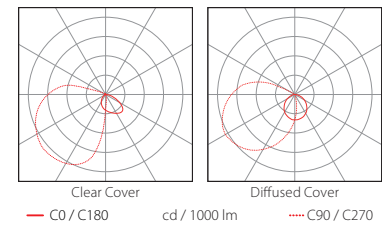
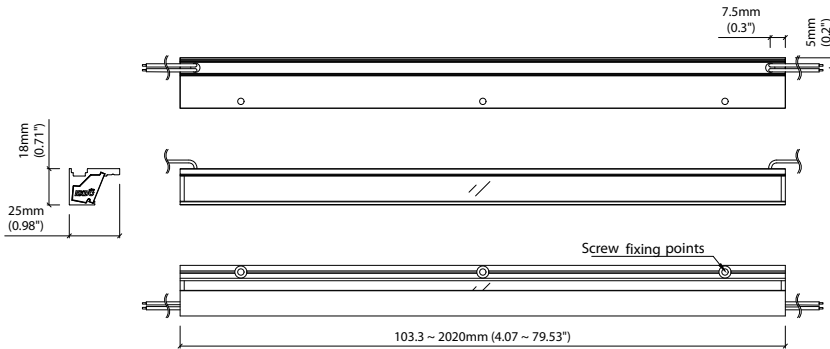
### PERFORMANCE DATA @ 2100K + 5000K

Power consumption	Supply voltage	Supply current
11W/m (3.35W/ft)	24V DC	0.46A/m (0.14A/ft)

### Colour Rendering Index (CRI)

	R1	R2	R3	R4	R5	R6	R7	R8	R9	R10	R11	R12	R13	R14
k-line	94	97	98	93	93	96	92	83	60	93	94	82	95	99

	Clear Cover		Diffused Cover		CRI	R9	Rf	Rg
s-line	650lm/m (198lm/ft)	59.4lm/W	520lm/m (157lm/ft)	47.1lm/W	93	62	-	-
k-line	640lm/m (195lm/ft)	58.5lm/W	510lm/m (155lm/ft)	46.4lm/W	92	60	-	-



Data derived from independent UKAS / IESNA LM-79-08 accredited testing of production samples.

# TANA 207

## Length Availability List

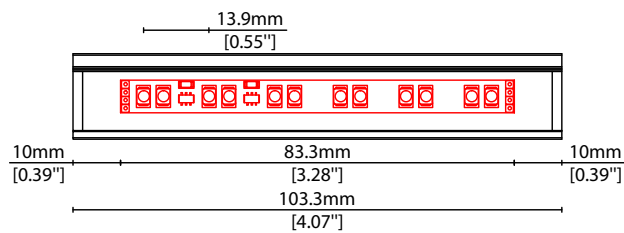


Length Code		Fixture Length <sup>1</sup>		LED Strip <sup>2</sup>		End Cap Dimension <sup>3</sup>		Wattage (W)	Output (lm)
Metric	Imperial(US)	Metric	Imperial(US)	Metric	Imperial(US)	Metric	Imperial(US)		MIX (Test Data)
m0103	i0004	103mm	4.07in	83mm	3.28in	20mm	0.79in	0.92	54
m0187	i0007	187mm	7.35in	167mm	6.56in	20mm	0.79in	1.83	107
m0270	i0011	270mm	10.63in	250mm	9.84in	20mm	0.79in	2.75	161
m0353	i0014	353mm	13.91in	333mm	13.12in	20mm	0.79in	3.67	215
m0437	i0017	437mm	17.19in	417mm	16.41in	20mm	0.79in	4.58	268
m0520	i0020	520mm	20.47in	500mm	19.69in	20mm	0.79in	5.50	322
m0603	i0024	603mm	23.76in	583mm	22.97in	20mm	0.79in	6.42	375
m0687	i0027	687mm	27.04in	667mm	26.25in	20mm	0.79in	7.33	429
m0770	i0030	770mm	30.32in	750mm	29.53in	20mm	0.79in	8.25	483
m0853	i0034	853mm	33.60in	833mm	32.81in	20mm	0.79in	9.17	536
m0937	i0037	937mm	36.88in	917mm	36.09in	20mm	0.79in	10.08	590
m1020	i0040	1020mm	40.16in	1000mm	39.37in	20mm	0.79in	11.00	644
m1103	i0043	1103mm	43.44in	1083mm	42.65in	20mm	0.79in	11.92	697
m1187	i0047	1187mm	46.72in	1167mm	45.94in	20mm	0.79in	12.83	751
m1270	i0050	1270mm	50.00in	1250mm	49.22in	20mm	0.79in	13.75	804
m1353	i0053	1353mm	53.29in	1333mm	52.50in	20mm	0.79in	14.67	858
m1437	i0057	1437mm	56.57in	1417mm	55.78in	20mm	0.79in	15.58	912
m1520	i0060	1520mm	59.85in	1500mm	59.06in	20mm	0.79in	16.50	965
m1603	i0063	1603mm	63.13in	1583mm	62.34in	20mm	0.79in	17.42	1019
m1687	i0066	1687mm	66.41in	1667mm	65.62in	20mm	0.79in	18.33	1073
m1770	i0070	1770mm	69.69in	1750mm	68.90in	20mm	0.79in	19.25	1126
m1853	i0073	1853mm	72.97in	1833mm	72.18in	20mm	0.79in	20.17	1180
m1937	i0076	1937mm	76.25in	1917mm	75.47in	20mm	0.79in	21.08	1233
m2020	i0080	2020mm	79.53in	2000mm	78.75in	20mm	0.79in	22.00	1287

<sup>1</sup> Length of fixture including aluminium extrusion and end clamps

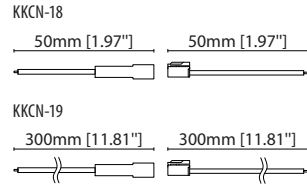
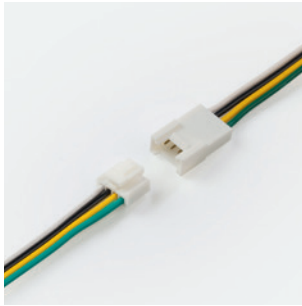
<sup>2</sup> Fixture without clamps available in this length upon request

<sup>3</sup> Overall dimension including both end caps and internal wiring space

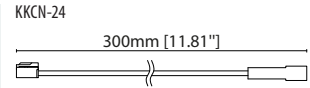


## POWER FEED

Note: Accessories are to be ordered separately with corresponding code shown below.



**KKCN-18** 50mm (1.97in) pair  
**KKCN-19** 300mm (11.81in) pair  
4 PIN LEDmix male + female connector set



**KKCN-24**  
4 PIN LEDmix 300mm (11.81in) extension lead

## KKDC CONTROL



IP20  
Black plastic housing  
L164/W64/H34mm  
(L6.46/W2.52/H1.34in)

**KKDM-05** 1-10V  
visDIM dimmable sub-controller



IP20  
Black plastic housing  
L164/W64/H34mm  
(L6.46/W2.52/H1.34in)

**KKSC-03A** DMX (screw terminal)  
visDIM dimmable sub-controller



IP20  
Black plastic housing  
L164/W64/H34mm  
(L6.46/W2.52/H1.34in)

**KKSC-03B** DMX (RJ45)  
visDIM dimmable sub-controller



IP20  
Plastic housing  
L170/W59/H29mm  
(L6.69/W2.32/H1.14in)

**KKDL-02** DALI  
visDIM dimmable sub-controller  
(4 x 8A max @ 12-36V)

Linear

# TANA 207

## Accessories

# KKDC

### KKDC CONTROL (CONTINUED)

---



IP20  
Plastic housing  
L166/W53.4/H23mm  
(L6.54/W2.10/H0.91in)

**KKDL-03** DALI

visDIM dimmable sub-controller  
(4 x 5A max @ 12-36V)

### AVAILABLE PSU OPTIONS

Control Mode	PSU (Order Code)	Input Voltage AC	Output Voltage DC	Rated Output Current	Rated Power	Dim %	IP Rating
Switched	CEN-60-24	90-295V	24V	2.5A	60W	-	IP67
	HLG-60H-24	90-305V	24V	2.5A	60W	-	IP67
	HLG-100H-24	90-305V	24V	4.0A	100W	-	IP67
	HLG-150H-24	90-305V	24V	6.3A	150W	-	IP67
	HLG-240H-24	90-305V	24V	10A	240W	-	IP67
0-10V (1-10V)	PWM-40-24	90-305V	24V	1.67A	40W	100-0.15 (100-10)	IP67
	PWM-60-24	90-305V	24V	2.5A	60W	100-0.15 (100-10)	IP67
	PWM-90-24	90-305V	24V	3.67A	90W	100-0.15 (100-10)	IP67
	PWM-120-24	90-305V	24V	5.0A	120W	100-0.15 (100-10)	IP67
DALI	LIN100A1	120-277V	24V	1A per channel	100W	100-0.1	IP66/IP40
DMX RGB	LIN100A1	120-277V	24V	1.33A per channel	100W	100-0.1	IP66/IP40
DMX RGBW	LIN100A1	120-277A	24V	1A per channel	100W	100-0.1	IP66/IP40

### Flicker Free Options - Combination of PSU+ sub-controller

Control Mode	PSU (Order Code)	Sub-controller (Order Code)	Input Voltage AC	Output Voltage DC	Rated Output Current	Rated Power	Dim %	IP Rating PSU/ Sub-controller
0-10V or 1-10V	CEN-60-24	KKDM-05	90-295V	24V	2.5A	60W	100-0.9	IP67/IP20
	HLG-60H-24	KKDM-05	90-295V	24V	2.5A	60W	100-0.9	IP67/IP20
	HLG-100H-24	KKDM-05	90-295V	24V	4.0A	100W	100-0.9	IP67/IP20
	HLG-150H-24	KKDM-05	90-295V	24V	6.3A	150W	100-0.9	IP67/IP20
	HLG-240H-24	KKDM-05	90-295V	24V	10.0A	240W	100-0.9	IP67/IP20
	CEN-60-24	KKDL-02/03	90-295V	24V	2.5A	60W	100-0.1	IP67/IP20
DALI	HLG-60H-24	KKDL-02/03	90-305V	24V	2.5A	60W	100-0.1	IP67/IP20
	HLG-100H-24	KKDL-02/03	90-305V	24V	4.0A	100W	100-0.1	IP67/IP20
	HLG-150H-24	KKDL-02/03	90-305V	24V	6.3A	150W	100-0.1	IP67/IP20
	HLG-240H-24	KKDL-02/03	90-305V	24V	10.0A	240W	100-0.1	IP67/IP20
DMX RGB	CEN-60-24	KKSC-03	90-295V	24V	2.5A	60W	100-0.9	IP67/IP20
	HLG-60H-24	KKSC-03	90-305V	24V	2.5A	60W	100-0.9	IP67/IP20
	HLG-100H-24	KKSC-03	90-305V	24V	4A	100W	100-0.9	IP67/IP20
	HLG-150H-24	KKSC-03	90-305V	24V	6.3A	150W	100-0.9	IP67/IP20
	HLG-240H-24	KKSC-03	90-305V	24V	10.0A	240W	100-0.9	IP67/IP20

<sup>1</sup> The items shown above cover the most frequently used specification but does not exhaust the possible options

<sup>2</sup> PSU and/or driver can be chosen from the table, or KKDC may recommend the best option upon receipt of the controls requirement and installation environment

<sup>3</sup> Electrical shop drawing will include detailed information of PSU and relevant control drivers

<sup>4</sup> Cut sheets are available on the controls section of [www.kkdc.lighting](http://www.kkdc.lighting) or upon request

Linear

# TANA 208

## Specification sheet



<b>Dimension</b>	H18/W25/L120-2020mm (H0.71/W0.98/L4.72-79.53in)
<b>PCB increment</b>	166.7mm increment/2000mm max (6.56in increment/78.74in max)
<b>LED pitch</b>	23.8mm - 42LED/m (0.94in - 13LED/ft) between same colored LEDs
<b>Chip</b>	<b>s-line</b> Toyoda Gosei <b>k-line</b> Samsung
<b>Beam angle</b>	90° (Clear Cover 45°) / 100° (Clear Cover 5°) / 110° (Diffused Cover)
<b>Colours</b>	<b>s-line</b> 2100K/2300K/2500K/2700K/3000K/3200K/3500K/4000K/5000K <b>k-line</b> 1900K/2100K/2500K/2700K/3000K/3500K/4000K/5000K
<b>Bin/Step</b>	<b>s-line</b> 2.5-step MacAdam ellipse <b>k-line</b> 2.5-step MacAdam ellipse
<b>CRI</b>	≥ 90
<b>Lifetime</b>	35,000 hours @ 25°C (35,000 hours @ 77°F)
<b>Operating temp</b>	T <sub>a</sub> = -25 to 45°C (T <sub>c</sub> max = 69.2°C) T <sub>a</sub> = -13 to 113°F (T <sub>c</sub> max = 156.7°F)
<b>IP rating</b>	IP40
<b>Finish</b>	Silver anodised
<b>Cover/lens</b>	Clear/Diffused
<b>Mounting</b>	Surface mounting via screw fixing, 3M tape or magnets
<b>Power feed</b>	Hardwire tails or male/female connectors
<b>Control</b>	0-10V/1-10V/DMX/DALI



### LED Grading Key

#### Exclusive Grade

<b>s</b> s-line*	*KKDC tuned CCT range
2.5-step CCT range	CCT range

#### Base Grade

<b>k</b> k-line	3-step commercial range
	Energy Star CCTs

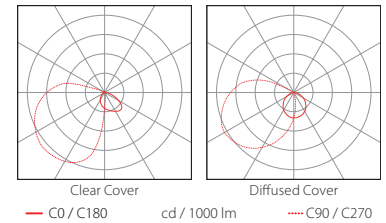
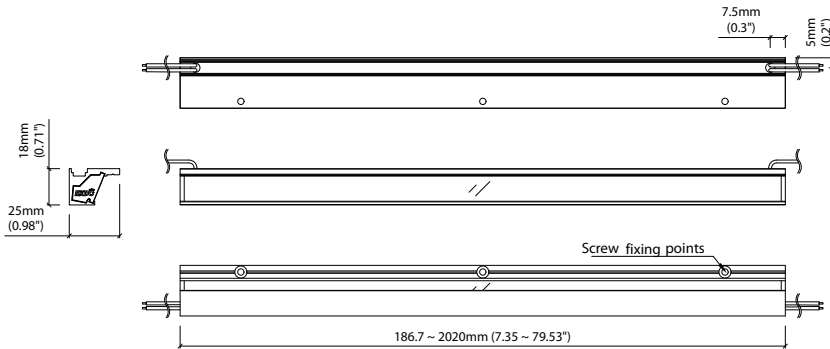
### PERFORMANCE DATA @ 2100K + 5000K

Power consumption	Supply voltage	Supply current
15.6W/m (4.75W/ft)	24V DC	0.65A/m (0.20A/ft)

### Colour Rendering Index (CRI)

	R1	R2	R3	R4	R5	R6	R7	R8	R9	R10	R11	R12	R13	R14
k-line	94	97	98	93	93	96	92	83	60	93	94	82	95	99

	Clear Cover				Diffused Cover				CRI	R9	Rf	Rg
s-line	1220lm/m (412lm/ft)				880lm/m (299lm/ft)				94	75	-	-
	78lm/W				56.4lm/W							
k-line	1020lm/m (311lm/ft)				810lm/m (247lm/ft)				92	60	-	-
	65.1lm/W				51.7lm/W							



Data derived from independent UKAS / IESNA LM-79-08 accredited testing of production samples.

# TANA 208

## Length Availability List

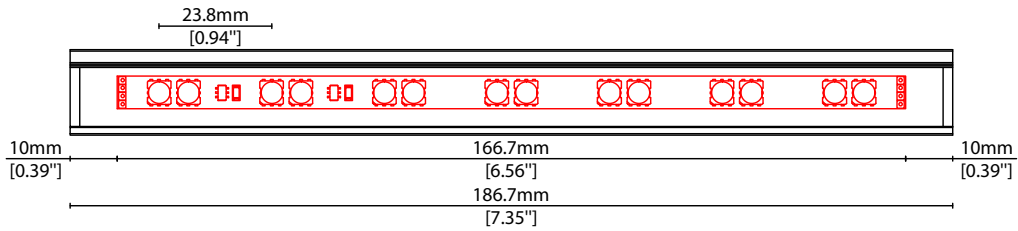


Length Code		Fixture Length <sup>1</sup>		LED Strip <sup>2</sup>		End Cap Dimension <sup>3</sup>		Wattage (W)	Output (lm)
Metric	Imperial(US)	Metric	Imperial(US)	Metric	Imperial(US)	Metric	Imperial(US)		MIX (Test Data)
m0187	i0007	187mm	7.35in	167mm	6.56in	20mm	0.79in	2.60	203
m0353	i0014	353mm	13.91in	333mm	13.12in	20mm	0.79in	5.20	406
m0520	i0020	520mm	20.47in	500mm	19.69in	20mm	0.79in	7.80	608
m0687	i0027	687mm	27.03in	667mm	26.25in	20mm	0.79in	10.40	811
m0853	i0034	853mm	33.60in	833mm	32.81in	20mm	0.79in	13.00	1014
m1020	i0040	1020mm	40.16in	1000mm	39.37in	20mm	0.79in	15.60	1217
m1187	i0047	1187mm	46.72in	1167mm	45.93in	20mm	0.79in	18.20	1420
m1353	i0053	1353mm	53.28in	1333mm	52.49in	20mm	0.79in	20.80	1622
m1520	i0060	1520mm	59.84in	1500mm	59.06in	20mm	0.79in	23.40	1825
m1687	i0066	1687mm	66.41in	1667mm	65.62in	20mm	0.79in	26.00	2028
m1853	i0073	1853mm	72.97in	1833mm	72.18in	20mm	0.79in	28.60	2231
m2020	i0080	2020mm	79.53in	2000mm	78.74in	20mm	0.79in	31.20	2434

<sup>1</sup> Length of fixture including aluminium extrusion and end clamps

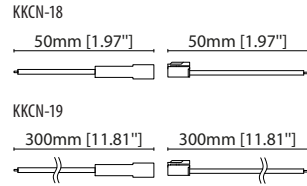
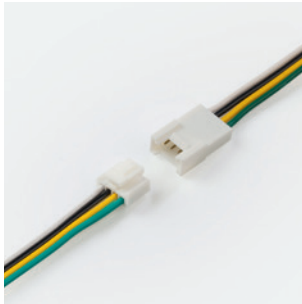
<sup>2</sup> Fixture without clamps available in this length upon request

<sup>3</sup> Overall dimension including both end caps and internal wiring space

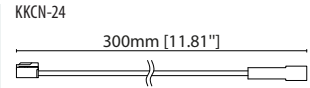


### POWER FEED

Note: Accessories are to be ordered separately with corresponding code shown below.



**KKCN-18** 50mm (1.97in) pair  
**KKCN-19** 300mm (11.81in) pair  
 4 PIN LEDmix male + female connector set



**KKCN-24**  
 4 PIN LEDmix 300mm (11.81in) extension lead

### KKDC CONTROL



IP20  
 Black plastic housing  
 L164/W64/H34mm  
 (L6.46/W2.52/H1.34in)

**KKDM-05** 1-10V  
 visDIM dimmable sub-controller



IP20  
 Black plastic housing  
 L164/W64/H34mm  
 (L6.46/W2.52/H1.34in)

**KKSC-03A** DMX (screw terminal)  
 visDIM dimmable sub-controller



IP20  
 Black plastic housing  
 L164/W64/H34mm  
 (L6.46/W2.52/H1.34in)

**KKSC-03B** DMX (RJ45)  
 visDIM dimmable sub-controller



IP20  
 Plastic housing  
 L170/W59/H29mm  
 (L6.69/W2.32/H1.14in)

**KKDL-02** DALI  
 visDIM dimmable sub-controller  
 (4 x 8A max @ 12-36V)





# TANA 208

## Accessories



### KKDC CONTROL (CONTINUED)

---



IP20  
Plastic housing  
L166/W53.4/H23mm  
(L6.54/W2.10/H0.91in)

**KKDL-03** DALI

visDIM dimmable sub-controller  
(4 x 5A max @ 12-36V)

### AVAILABLE PSU OPTIONS

Control Mode	PSU (Order Code)	Input Voltage AC	Output Voltage DC	Rated Output Current	Rated Power	Dim %	IP Rating
Switched	CEN-60-24	90-295V	24V	2.5A	60W	-	IP67
	HLG-60H-24	90-305V	24V	2.5A	60W	-	IP67
	HLG-100H-24	90-305V	24V	4.0A	100W	-	IP67
	HLG-150H-24	90-305V	24V	6.3A	150W	-	IP67
	HLG-240H-24	90-305V	24V	10A	240W	-	IP67
0-10V (1-10V)	PWM-40-24	90-305V	24V	1.67A	40W	100-0.15 (100-10)	IP67
	PWM-60-24	90-305V	24V	2.5A	60W	100-0.15 (100-10)	IP67
	PWM-90-24	90-305V	24V	3.67A	90W	100-0.15 (100-10)	IP67
	PWM-120-24	90-305V	24V	5.0A	120W	100-0.15 (100-10)	IP67
DALI	LIN100A1	120-277V	24V	1A per channel	100W	100-0.1	IP66/IP40
DMX RGB	LIN100A1	120-277V	24V	1.33A per channel	100W	100-0.1	IP66/IP40
DMX RGBW	LIN100A1	120-277A	24V	1A per channel	100W	100-0.1	IP66/IP40

### Flicker Free Options - Combination of PSU+ sub-controller

Control Mode	PSU (Order Code)	Sub-controller (Order Code)	Input Voltage AC	Output Voltage DC	Rated Output Current	Rated Power	Dim %	IP Rating PSU/ Sub-controller
0-10V or 1-10V	CEN-60-24	KKDM-05	90-295V	24V	2.5A	60W	100-0.9	IP67/IP20
	HLG-60H-24	KKDM-05	90-295V	24V	2.5A	60W	100-0.9	IP67/IP20
	HLG-100H-24	KKDM-05	90-295V	24V	4.0A	100W	100-0.9	IP67/IP20
	HLG-150H-24	KKDM-05	90-295V	24V	6.3A	150W	100-0.9	IP67/IP20
	HLG-240H-24	KKDM-05	90-295V	24V	10.0A	240W	100-0.9	IP67/IP20
	CEN-60-24	KKDL-02/03	90-295V	24V	2.5A	60W	100-0.1	IP67/IP20
DALI	HLG-60H-24	KKDL-02/03	90-305V	24V	2.5A	60W	100-0.1	IP67/IP20
	HLG-100H-24	KKDL-02/03	90-305V	24V	4.0A	100W	100-0.1	IP67/IP20
	HLG-150H-24	KKDL-02/03	90-305V	24V	6.3A	150W	100-0.1	IP67/IP20
	HLG-240H-24	KKDL-02/03	90-305V	24V	10.0A	240W	100-0.1	IP67/IP20
DMX RGB	CEN-60-24	KKSC-03	90-295V	24V	2.5A	60W	100-0.9	IP67/IP20
	HLG-60H-24	KKSC-03	90-305V	24V	2.5A	60W	100-0.9	IP67/IP20
	HLG-100H-24	KKSC-03	90-305V	24V	4A	100W	100-0.9	IP67/IP20
	HLG-150H-24	KKSC-03	90-305V	24V	6.3A	150W	100-0.9	IP67/IP20
	HLG-240H-24	KKSC-03	90-305V	24V	10.0A	240W	100-0.9	IP67/IP20

<sup>1</sup> The items shown above cover the most frequently used specification but does not exhaust the possible options

<sup>2</sup> PSU and/or driver can be chosen from the table, or KKDC may recommend the best option upon receipt of the controls requirement and installation environment

<sup>3</sup> Electrical shop drawing will include detailed information of PSU and relevant control drivers

<sup>4</sup> Cut sheets are available on the controls section of [www.kkdc.lighting](http://www.kkdc.lighting) or upon request

Linear

# TANA 352

## Specification sheet



<b>Dimension</b>	H18/W25/L103.3-2020mm (H0.71/W0.98/L4.07-79.53in)
<b>PCB increment</b>	83.3mm increment/2000mm max (3.28in increment/78.74in max)
<b>LED pitch</b>	13.9mm - 72LED/m (0.55in - 22LED/ft)
<b>Chip</b>	<b>s/e-line</b> Toyoda Gosei <b>k-line</b> Samsung
<b>Beam angle</b>	90° (Clear Cover 45°) / 50° (Clear Cover 5°) / 110° (Diffused Cover)
<b>Colours</b>	<b>s/e-line</b> 2100K/2500K/2700K/3000K/3500K/4000K/5000K <b>s-line</b> Single colours: Red/Green/Blue/Orange/Amber <b>k-line</b> 1900K/2100K/2500K/2700K/3000K/3500K/4000K/5000K
<b>Bin/Step</b>	<b>s-line</b> 2-step MacAdam ellipse <b>e/k-line</b> 3-step MacAdam ellipse
<b>CRI</b>	≥ 90
<b>Lifetime</b>	35,000 hours @ 25°C (35,000 hours @ 77°F)
<b>Operating temp</b>	T <sub>a</sub> = -25 to 60°C (T <sub>c</sub> max = 69°C) T <sub>a</sub> = -13 to 140°F (T <sub>c</sub> max = 156.2°F)
<b>IP rating</b>	IP40
<b>Finish</b>	Silver anodised
<b>Cover/lens</b>	Clear/Diffused
<b>Mounting</b>	Surface mounting via screw fixing, 3M tape or magnets
<b>Power feed</b>	Hardwire tails or male/female connectors
<b>Control</b>	0-10V/1-10V/DMX/DALI



### LED Grading Key

#### Exclusive Grade

<b>s</b> s-line*	*KKDC tuned CCT range
2-step CCT range	
<b>e</b> e-line*	
3-step CCT range	

#### Base Grade

<b>k</b> k-line	
3-step commercial range	
Energy Star CCTs	

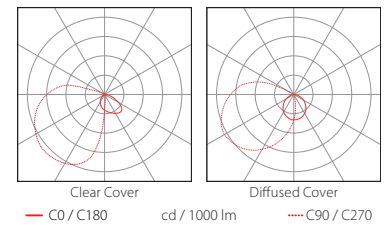
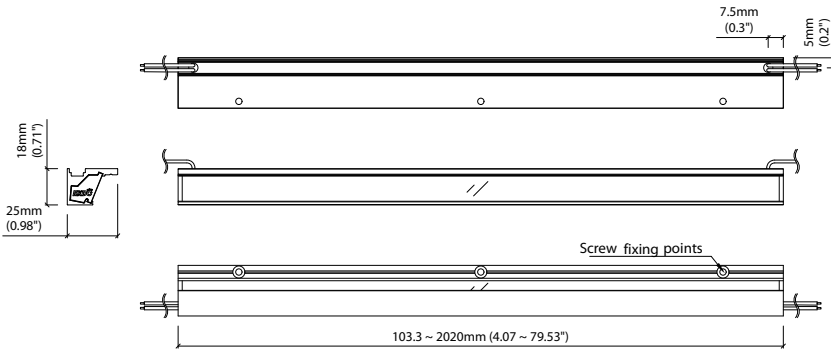
### PERFORMANCE DATA @ 3000K

Power consumption	Supply voltage	Supply current
5.5W/m (1.67W/ft)	24V DC	0.23A/m (0.07A/ft)

### Colour Rendering Index (CRI)

	R1	R2	R3	R4	R5	R6	R7	R8	R9	R10	R11	R12	R13	R14
k-line	94	97	98	93	93	96	92	83	60	93	94	82	95	99

	Clear Cover		Diffused Cover		CRI	R9	Rf	Rg
s/e-line	375lm/m (115lm/ft)	67.6lm/W	290lm/m (89lm/ft)	53.7lm/W	93	62	-	-
k-line	370lm/m (113lm/ft)	66.6lm/W	290lm/m (88lm/ft)	52.9lm/W	92	60	-	-



Data derived from independent UKAS / IESNA LM-79-08 accredited testing of production samples.

# TANA 352

## Length Availability List

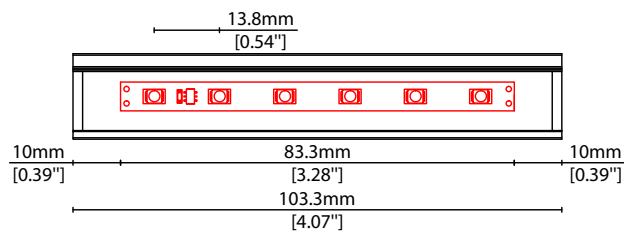


Length Code		Fixture Length <sup>1</sup>		LED Strip <sup>2</sup>		End Cap Dimension <sup>3</sup>		Wattage (W)	Output (lm)	
Metric	Imperial(US)	Metric	Imperial(US)	Metric	Imperial(US)	Metric	Imperial(US)		3000K (Test Data)	Range Data
m0103	i0004	103mm	4.07in	83mm	3.28in	20mm	0.79in	0.46	31	16-32
m0187	i0007	187mm	7.35in	167mm	6.56in	20mm	0.79in	0.92	61	32-63
m0270	i0011	270mm	10.63in	250mm	9.84in	20mm	0.79in	1.37	92	47-95
m0353	i0014	353mm	13.91in	333mm	13.12in	20mm	0.79in	1.83	122	63-127
m0437	i0017	437mm	17.19in	417mm	16.41in	20mm	0.79in	2.29	153	79-159
m0520	i0020	520mm	20.47in	500mm	19.69in	20mm	0.79in	2.75	183	95-190
m0603	i0024	603mm	23.76in	583mm	22.97in	20mm	0.79in	3.21	214	111-222
m0687	i0027	687mm	27.04in	667mm	26.25in	20mm	0.79in	3.67	244	126-254
m0770	i0030	770mm	30.32in	750mm	29.53in	20mm	0.79in	4.12	275	142-286
m0853	i0034	853mm	33.60in	833mm	32.81in	20mm	0.79in	4.58	305	158-317
m0937	i0037	937mm	36.88in	917mm	36.09in	20mm	0.79in	5.04	336	174-349
m1020	i0040	1020mm	40.16in	1000mm	39.37in	20mm	0.79in	5.50	366	190-381
m1103	i0043	1103mm	43.44in	1083mm	42.65in	20mm	0.79in	5.96	397	205-413
m1187	i0047	1187mm	46.72in	1167mm	45.94in	20mm	0.79in	6.42	427	221-444
m1270	i0050	1270mm	50.00in	1250mm	49.22in	20mm	0.79in	6.87	458	237-476
m1353	i0053	1353mm	53.29in	1333mm	52.50in	20mm	0.79in	7.33	488	253-508
m1437	i0057	1437mm	56.57in	1417mm	55.78in	20mm	0.79in	7.79	519	269-540
m1520	i0060	1520mm	59.85in	1500mm	59.06in	20mm	0.79in	8.25	549	284-571
m1603	i0063	1603mm	63.13in	1583mm	62.34in	20mm	0.79in	8.71	580	300-603
m1687	i0066	1687mm	66.41in	1667mm	65.62in	20mm	0.79in	9.17	610	316-635
m1770	i0070	1770mm	69.69in	1750mm	68.90in	20mm	0.79in	9.62	641	332-667
m1853	i0073	1853mm	72.97in	1833mm	72.18in	20mm	0.79in	10.08	672	348-698
m1937	i0076	1937mm	76.25in	1917mm	75.47in	20mm	0.79in	10.54	702	363-730
m2020	i0080	2020mm	79.53in	2000mm	78.75in	20mm	0.79in	11.00	733	379-762

<sup>1</sup> Length of fixture including aluminium extrusion and end clamps

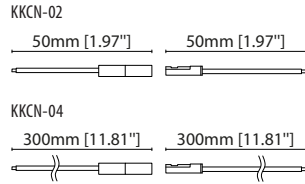
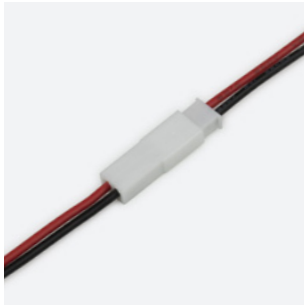
<sup>2</sup> Fixture without clamps available in this length upon request

<sup>3</sup> Overall dimension including both end caps and internal wiring space

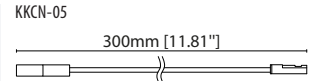


## POWER FEED

Note: Accessories are to be ordered separately with corresponding code shown below.



**KKCN-02** 50mm (1.97in) pair  
**KKCN-04** 300mm (11.81in) pair  
2 PIN male + female JST connector set



**KKCN-05**  
2 PIN 300mm (11.81in) extension lead (JST)

## KKDC CONTROL



IP20  
Black plastic housing  
L164/W64/H34mm  
(L6.46/W2.52/H1.34in)

**KKDM-05** 1-10V  
visDIM dimmable sub-controller



IP20  
Black plastic housing  
L164/W64/H34mm  
(L6.46/W2.52/H1.34in)

**KKSC-03A** DMX (screw terminal)  
visDIM dimmable sub-controller



IP20  
Black plastic housing  
L164/W64/H34mm  
(L6.46/W2.52/H1.34in)

**KKSC-03B** DMX (RJ45)  
visDIM dimmable sub-controller



IP20  
Plastic housing  
L170/W59/H29mm  
(L6.69/W2.32/H1.14in)

**KKDL-02** DALI  
visDIM dimmable sub-controller  
(4 x 8A max @ 12-36V)

Linear

# TANA 352

## Accessories

# KKDC

### KKDC CONTROL (CONTINUED)

---



IP20  
Plastic housing  
L166/W53.4/H23mm  
(L6.54/W2.10/H0.91in)

**KKDL-03** DALI

visDIM dimmable sub-controller  
(4 x 5A max @ 12-36V)

### AVAILABLE PSU OPTIONS

Control Mode	PSU (Order Code)	Input Voltage AC	Output Voltage DC	Rated Output Current	Rated Power	Dim %	IP Rating
Switched	CEN-60-24	90-295V	24V	2.5A	60W	-	IP67
	HLG-60H-24	90-305V	24V	2.5A	60W	-	IP67
	HLG-100H-24	90-305V	24V	4.0A	100W	-	IP67
	HLG-150H-24	90-305V	24V	6.3A	150W	-	IP67
	HLG-240H-24	90-305V	24V	10A	240W	-	IP67
0-10V (1-10V)	PWM-40-24	90-305V	24V	1.67A	40W	100-0.15 (100-10)	IP67
	PWM-60-24	90-305V	24V	2.5A	60W	100-0.15 (100-10)	IP67
	PWM-90-24	90-305V	24V	3.67A	90W	100-0.15 (100-10)	IP67
	PWM-120-24	90-305V	24V	5.0A	120W	100-0.15 (100-10)	IP67
DALI	LIN100A1	120-277V	24V	1A per channel	100W	100-0.1	IP66/IP40
DMX RGB	LIN100A1	120-277V	24V	1.33A per channel	100W	100-0.1	IP66/IP40
DMX RGBW	LIN100A1	120-277A	24V	1A per channel	100W	100-0.1	IP66/IP40

### Flicker Free Options - Combination of PSU+ sub-controller

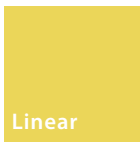
Control Mode	PSU (Order Code)	Sub-controller (Order Code)	Input Voltage AC	Output Voltage DC	Rated Output Current	Rated Power	Dim %	IP Rating PSU/ Sub-controller
0-10V or 1-10V	CEN-60-24	KKDM-05	90-295V	24V	2.5A	60W	100-0.9	IP67/IP20
	HLG-60H-24	KKDM-05	90-295V	24V	2.5A	60W	100-0.9	IP67/IP20
	HLG-100H-24	KKDM-05	90-295V	24V	4.0A	100W	100-0.9	IP67/IP20
	HLG-150H-24	KKDM-05	90-295V	24V	6.3A	150W	100-0.9	IP67/IP20
	HLG-240H-24	KKDM-05	90-295V	24V	10.0A	240W	100-0.9	IP67/IP20
	CEN-60-24	KKDL-02/03	90-295V	24V	2.5A	60W	100-0.1	IP67/IP20
DALI	HLG-60H-24	KKDL-02/03	90-305V	24V	2.5A	60W	100-0.1	IP67/IP20
	HLG-100H-24	KKDL-02/03	90-305V	24V	4.0A	100W	100-0.1	IP67/IP20
	HLG-150H-24	KKDL-02/03	90-305V	24V	6.3A	150W	100-0.1	IP67/IP20
	HLG-240H-24	KKDL-02/03	90-305V	24V	10.0A	240W	100-0.1	IP67/IP20
DMX RGB	CEN-60-24	KKSC-03	90-295V	24V	2.5A	60W	100-0.9	IP67/IP20
	HLG-60H-24	KKSC-03	90-305V	24V	2.5A	60W	100-0.9	IP67/IP20
	HLG-100H-24	KKSC-03	90-305V	24V	4A	100W	100-0.9	IP67/IP20
	HLG-150H-24	KKSC-03	90-305V	24V	6.3A	150W	100-0.9	IP67/IP20
	HLG-240H-24	KKSC-03	90-305V	24V	10.0A	240W	100-0.9	IP67/IP20

<sup>1</sup> The items shown above cover the most frequently used specification but does not exhaust the possible options

<sup>2</sup> PSU and/or driver can be chosen from the table, or KKDC may recommend the best option upon receipt of the controls requirement and installation environment

<sup>3</sup> Electrical shop drawing will include detailed information of PSU and relevant control drivers

<sup>4</sup> Cut sheets are available on the controls section of [www.kkdc.lighting](http://www.kkdc.lighting) or upon request



# TANA 504

## Specification sheet



<b>Dimension</b>	H18/W25/L120-2020mm (H0.71/W0.98/L4.72-79.53in)
<b>PCB increment</b>	100mm increment/2000mm max (3.94in increment/78.74in max)
<b>LED pitch</b>	16.7mm - 60LED/m (0.66in - 18LED/ft)
<b>Chip</b>	<b>n/s/e-line</b> Toyoda Gosei <b>k-line</b> Samsung
<b>Beam angle</b>	90° (Clear Cover 45°) / 50° (Clear Cover 5°) / 110° (Diffused Cover)
<b>Colours</b>	<b>n-line</b> 2700K/3000K <b>s/e-line</b> 2100K/2300K/2500K/2700K/3000K/3200K/3500K/4000K/5000K <b>s-line</b> Single colours: Red/Green/Blue/Orange/Amber <b>k-line</b> 1900K/2100K/2500K/2700K/3000K/3500K/4000K/5000K
<b>Bin/Step</b>	<b>s-line</b> 2-step MacAdam ellipse <b>n/e/k-line</b> 3-step MacAdam ellipse
<b>CRI</b>	≥ 90 (n-line ≥ 95)
<b>Lifetime</b>	35,000 hours @ 25°C (35,000 hours @ 77°F)
<b>Operating temp</b>	T <sub>a</sub> = -25 to 60°C (T <sub>C</sub> max = 77°C) T <sub>a</sub> = -13 to 140°F (T <sub>C</sub> max = 170.6°F)
<b>IP rating</b>	IP40
<b>Finish</b>	Silver anodised
<b>Cover/lens</b>	Clear/Diffused
<b>Mounting</b>	Surface mounting via screw fixing, 3M tape or magnets
<b>Power feed</b>	Hardwire tails or male/female connectors
<b>Control</b>	0-10V/1-10V/DMX/DALI



### LED Grading Key

#### Exclusive Grade

<b>n-line*</b>	Full visible spectrum NO UV or IR 380nm-780nm 3-step CCT range	*KKDC tuned CCT range
<b>s-line*</b>	2-step CCT range	
<b>e-line*</b>	3-step CCT range	

#### Base Grade

<b>k-line</b>	3-step commercial range Energy Star CCTs
---------------	---

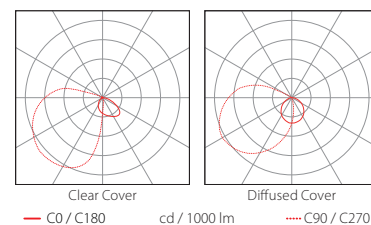
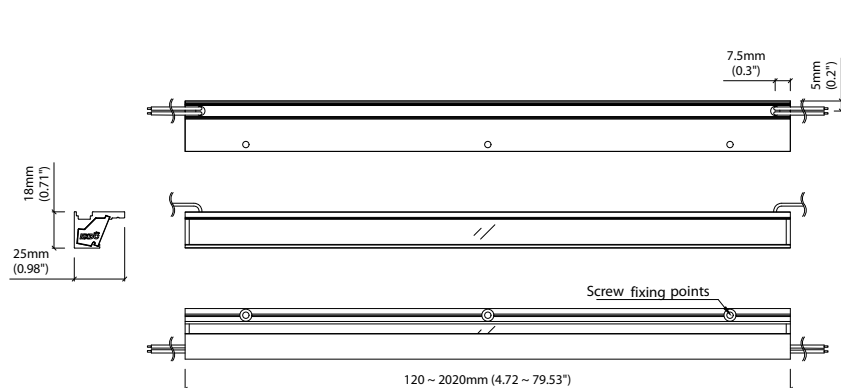
### PERFORMANCE DATA @ 3000K

Power consumption	Supply voltage	Supply current
12.5W/m (3.81W/ft)	24V DC	0.52A/m (0.16A/ft)

### Colour Rendering Index (CRI)

	R1	R2	R3	R4	R5	R6	R7	R8	R9	R10	R11	R12	R13	R14
<b>n-line</b>	99	99	98	98	99	97	94	90	79	98	97	92	99	98
<b>k-line</b>	94	97	98	93	93	96	92	83	60	93	94	82	95	99

	Clear Cover		Diffused Cover		CRI	R9	Rf	Rg
<b>n-line</b>	670lm/m (204lm/ft)	53.6lm/W	390lm/m (119lm/ft)	31.3lm/W	97	80	-	-
<b>s/e-line</b>	960lm/m (293lm/ft)	77lm/W	730lm/m (223lm/ft)	58lm/W	92	50	-	-
<b>k-line</b>	830lm/m (253lm/ft)	66.3lm/W	630lm/m (192lm/ft)	50lm/W	92	60	-	-



Data derived from independent UKAS / IESNA LM-79-08 accredited testing of production samples.



# TANA 504

## Length Availability List

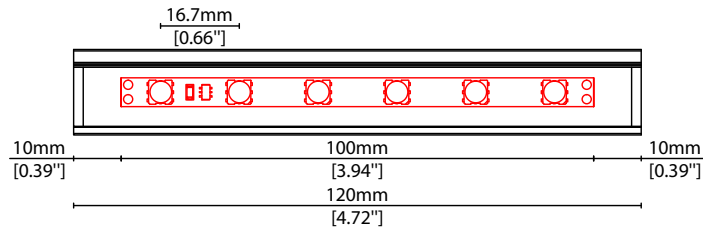


Length Code		Fixture Length <sup>1</sup>		LED Strip <sup>2</sup>		End Cap Dimension <sup>3</sup>		Wattage (W)	Output (lm)	
Metric	Imperial(US)	Metric	Imperial(US)	Metric	Imperial(US)	Metric	Imperial(US)		3000K (Test Data)	Range Data
m0120	i0005	120mm	4.72in	100mm	3.94in	20mm	0.79in	1.25	96	50-100
m0220	i0009	220mm	8.66in	200mm	7.87in	20mm	0.79in	2.50	193	100-200
m0320	i0013	320mm	12.60in	300mm	11.81in	20mm	0.79in	3.75	289	150-300
m0420	i0017	420mm	16.54in	400mm	15.75in	20mm	0.79in	5.00	385	200-400
m0520	i0020	520mm	20.47in	500mm	19.69in	20mm	0.79in	6.25	481	250-501
m0620	i0024	620mm	24.41in	600mm	23.62in	20mm	0.79in	7.50	578	300-601
m0720	i0028	720mm	28.35in	700mm	27.56in	20mm	0.79in	8.75	674	350-701
m0820	i0032	820mm	32.28in	800mm	31.50in	20mm	0.79in	10.00	770	400-801
m0920	i0036	920mm	36.22in	900mm	35.43in	20mm	0.79in	11.25	866	450-901
m1020	i0040	1020mm	40.16in	1000mm	39.37in	20mm	0.79in	12.50	963	500-1001
m1120	i0044	1120mm	44.09in	1100mm	43.31in	20mm	0.79in	13.75	1059	550-1101
m1220	i0048	1220mm	48.03in	1200mm	47.24in	20mm	0.79in	15.00	1155	600-1201
m1320	i0052	1320mm	51.97in	1300mm	51.18in	20mm	0.79in	16.25	1251	650-1301
m1420	i0056	1420mm	55.91in	1400mm	55.12in	20mm	0.79in	17.50	1348	700-1401
m1520	i0060	1520mm	59.84in	1500mm	59.06in	20mm	0.79in	18.75	1444	750-1502
m1620	i0064	1620mm	63.78in	1600mm	62.99in	20mm	0.79in	20.00	1540	800-1602
m1720	i0068	1720mm	67.72in	1700mm	66.93in	20mm	0.79in	21.25	1636	850-1702
m1820	i0072	1820mm	71.65in	1800mm	70.87in	20mm	0.79in	22.50	1733	900-1802
m1920	i0076	1920mm	75.59in	1900mm	74.80in	20mm	0.79in	23.75	1829	950-1902
m2020	i0080	2020mm	79.53in	2000mm	78.74in	20mm	0.79in	25.00	1925	1000-2002

<sup>1</sup> Length of fixture including aluminium extrusion and end clamps

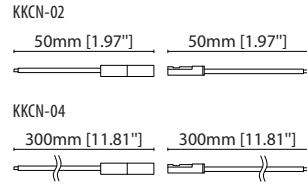
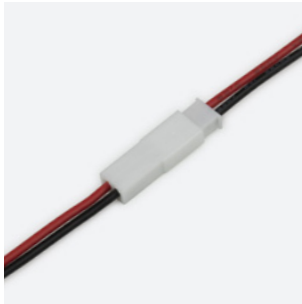
<sup>2</sup> Fixture without clamps available in this length upon request

<sup>3</sup> Overall dimension including both end caps and internal wiring space

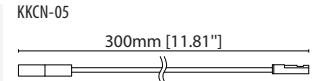


## POWER FEED

Note: Accessories are to be ordered separately with corresponding code shown below.



**KKCN-02** 50mm (1.97in) pair  
**KKCN-04** 300mm (11.81in) pair  
2 PIN male + female JST connector set



**KKCN-05**  
2 PIN 300mm (11.81in) extension lead (JST)

## KKDC CONTROL



IP20  
Black plastic housing  
L164/W64/H34mm  
(L6.46/W2.52/H1.34in)

**KKDM-05** 1-10V  
visDIM dimmable sub-controller



IP20  
Black plastic housing  
L164/W64/H34mm  
(L6.46/W2.52/H1.34in)

**KKSC-03A** DMX (screw terminal)  
visDIM dimmable sub-controller



IP20  
Black plastic housing  
L164/W64/H34mm  
(L6.46/W2.52/H1.34in)

**KKSC-03B** DMX (RJ45)  
visDIM dimmable sub-controller



IP20  
Plastic housing  
L170/W59/H29mm  
(L6.69/W2.32/H1.14in)

**KKDL-02** DALI  
visDIM dimmable sub-controller  
(4 x 8A max @ 12-36V)

Linear

# TANA 504 Accessories

# KKDC

## KKDC CONTROL (CONTINUED)

---



IP20  
Plastic housing  
L166/W53.4/H23mm  
(L6.54/W2.10/H0.91in)

**KKDL-03** DALI

visDIM dimmable sub-controller  
(4 x 5A max @ 12-36V)

### AVAILABLE PSU OPTIONS

Control Mode	PSU (Order Code)	Input Voltage AC	Output Voltage DC	Rated Output Current	Rated Power	Dim %	IP Rating
Switched	CEN-60-24	90-295V	24V	2.5A	60W	-	IP67
	HLG-60H-24	90-305V	24V	2.5A	60W	-	IP67
	HLG-100H-24	90-305V	24V	4.0A	100W	-	IP67
	HLG-150H-24	90-305V	24V	6.3A	150W	-	IP67
	HLG-240H-24	90-305V	24V	10A	240W	-	IP67
0-10V (1-10V)	PWM-40-24	90-305V	24V	1.67A	40W	100-0.15 (100-10)	IP67
	PWM-60-24	90-305V	24V	2.5A	60W	100-0.15 (100-10)	IP67
	PWM-90-24	90-305V	24V	3.67A	90W	100-0.15 (100-10)	IP67
	PWM-120-24	90-305V	24V	5.0A	120W	100-0.15 (100-10)	IP67
DALI	LIN100A1	120-277V	24V	1A per channel	100W	100-0.1	IP66/IP40
DMX RGB	LIN100A1	120-277V	24V	1.33A per channel	100W	100-0.1	IP66/IP40
DMX RGBW	LIN100A1	120-277A	24V	1A per channel	100W	100-0.1	IP66/IP40

### Flicker Free Options - Combination of PSU+ sub-controller

Control Mode	PSU (Order Code)	Sub-controller (Order Code)	Input Voltage AC	Output Voltage DC	Rated Output Current	Rated Power	Dim %	IP Rating PSU/ Sub-controller
0-10V or 1-10V	CEN-60-24	KKDM-05	90-295V	24V	2.5A	60W	100-0.9	IP67/IP20
	HLG-60H-24	KKDM-05	90-295V	24V	2.5A	60W	100-0.9	IP67/IP20
	HLG-100H-24	KKDM-05	90-295V	24V	4.0A	100W	100-0.9	IP67/IP20
	HLG-150H-24	KKDM-05	90-295V	24V	6.3A	150W	100-0.9	IP67/IP20
	HLG-240H-24	KKDM-05	90-295V	24V	10.0A	240W	100-0.9	IP67/IP20
	CEN-60-24	KKDL-02/03	90-295V	24V	2.5A	60W	100-0.1	IP67/IP20
DALI	HLG-60H-24	KKDL-02/03	90-305V	24V	2.5A	60W	100-0.1	IP67/IP20
	HLG-100H-24	KKDL-02/03	90-305V	24V	4.0A	100W	100-0.1	IP67/IP20
	HLG-150H-24	KKDL-02/03	90-305V	24V	6.3A	150W	100-0.1	IP67/IP20
	HLG-240H-24	KKDL-02/03	90-305V	24V	10.0A	240W	100-0.1	IP67/IP20
DMX RGB	CEN-60-24	KKSC-03	90-295V	24V	2.5A	60W	100-0.9	IP67/IP20
	HLG-60H-24	KKSC-03	90-305V	24V	2.5A	60W	100-0.9	IP67/IP20
	HLG-100H-24	KKSC-03	90-305V	24V	4A	100W	100-0.9	IP67/IP20
	HLG-150H-24	KKSC-03	90-305V	24V	6.3A	150W	100-0.9	IP67/IP20
	HLG-240H-24	KKSC-03	90-305V	24V	10.0A	240W	100-0.9	IP67/IP20

<sup>1</sup> The items shown above cover the most frequently used specification but does not exhaust the possible options

<sup>2</sup> PSU and/or driver can be chosen from the table, or KKDC may recommend the best option upon receipt of the controls requirement and installation environment

<sup>3</sup> Electrical shop drawing will include detailed information of PSU and relevant control drivers

<sup>4</sup> Cut sheets are available on the controls section of [www.kkdc.lighting](http://www.kkdc.lighting) or upon request

Linear

# TANA 508

## Specification sheet



<b>Dimension</b>	H18/W25/L120-2020mm (H0.71/W0.98/L4.72-79.53in)
<b>PCB increment</b>	71.4mm increment/2000mm max (2.81in increment/78.74in max)
<b>LED pitch</b>	11.9mm - 84LED/m (0.47in - 26LED/ft)
<b>Chip</b>	<b>n/s/e-line</b> Toyoda Gosei <b>k-line</b> Samsung
<b>Beam angle</b>	90° (Clear Cover 45°) / 100° (Clear Cover 5°) / 110° (Diffused Cover)
<b>Colours</b>	<b>n-line</b> 2700K/3000K <b>s/e-line</b> 2100K/2300K/2500K/2700K/3000K/3200K/3500K/4000K/5000K <b>k-line</b> 1900K/2100K/2500K/2700K/3000K/3500K/4000K/5000K
<b>Bin/Step</b>	<b>s-line</b> 2-step MacAdam ellipse <b>n/e/k-line</b> 3-step MacAdam ellipse
<b>CRI</b>	≥ 90 (n-line ≥ 95)
<b>Lifetime</b>	35,000 hours @ 25°C (35,000 hours @ 77°F)
<b>Operating temp</b>	T <sub>a</sub> = -25 to 50°C (T <sub>c</sub> max = 68°C) T <sub>a</sub> = -13 to 122°F (T <sub>c</sub> max = 154.4°F)
<b>IP rating</b>	IP40
<b>Finish</b>	Silver anodised
<b>Cover/lens</b>	Clear/Diffused
<b>Mounting</b>	Surface mounting via screw fixing, 3M tape or magnets
<b>Power feed</b>	Hardwire tails or male/female connectors
<b>Control</b>	0-10V/1-10V/DMX/DALI



### LED Grading Key

#### Exclusive Grade

<b>n-line*</b>	Full visible spectrum NO UV or IR 380nm-780nm 3-step CCT range	*KKDC tuned CCT range
<b>s-line*</b>	2-step CCT range	
<b>e-line*</b>	3-step CCT range	

#### Base Grade

<b>k-line</b>	3-step commercial range Energy Star CCTs
---------------	---

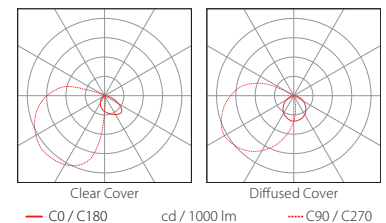
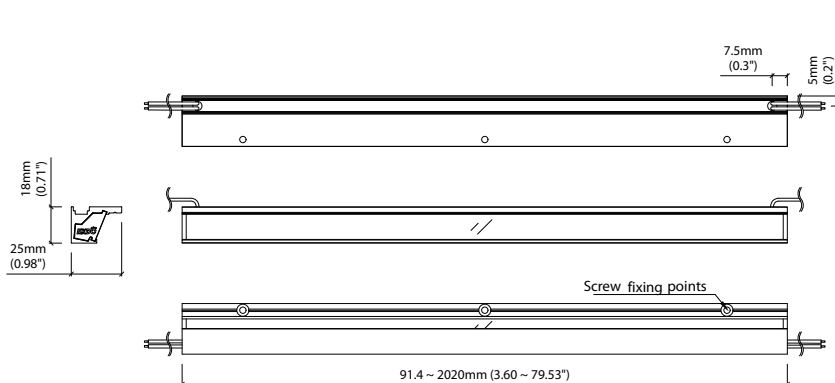
### PERFORMANCE DATA @ 3000K

Power consumption	Supply voltage	Supply current
17.5W/m (5.33W/ft)	24V DC	0.73A/m (0.22A/ft)

### Colour Rendering Index (CRI)

	R1	R2	R3	R4	R5	R6	R7	R8	R9	R10	R11	R12	R13	R14
<b>n-line</b>	99	99	98	97	99	97	94	90	78	98	97	92	99	98
<b>k-line</b>	94	97	98	93	93	96	92	83	60	93	94	82	95	99

	Clear Cover	Diffused Cover	CRI	R9	Rf	Rg
<b>n-line</b>	930lm/m (283lm/ft) 53.3lm/W	-	97	78	-	-
<b>s/e-line</b>	1380lm/m (421lm/ft) 79lm/W	1000lm/m (305lm/ft) 57.1lm/W	92	50	-	-
<b>k-line</b>	1110lm/m (338lm/ft) 63.6lm/W	880lm/m (268/ft) 50.5lm/W	92	60	-	-



Data derived from independent UKAS / IESNA LM-79-08 accredited testing of production samples.

# TANA 508

## Length Availability List

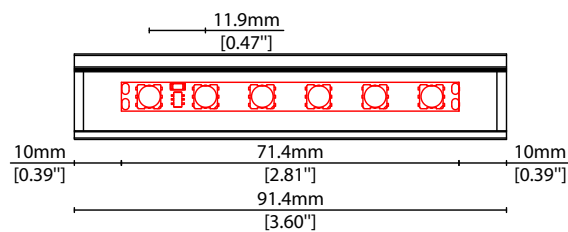


Length Code		Fixture Length <sup>1</sup>		LED Strip <sup>2</sup>		End Cap Dimension <sup>3</sup>		Wattage (W)	Output (lm)	
Metric	Imperial(US)	Metric	Imperial(US)	Metric	Imperial(US)	Metric	Imperial(US)		3000K (Test Data)	Range Data
m0091	i0004	91mm	3.60in	71mm	2.81in	20mm	0.79in	1.25	99	51-103
m0163	i0006	163mm	6.41in	143mm	5.62in	20mm	0.79in	2.50	198	101-205
m0234	i0009	234mm	9.22in	214mm	8.44in	20mm	0.79in	3.75	296	152-308
m0306	i0012	306mm	12.04in	286mm	11.25in	20mm	0.79in	5.00	395	202-411
m0377	i0015	377mm	14.85in	357mm	14.06in	20mm	0.79in	6.25	494	253-514
m0448	i0018	449mm	17.66in	429mm	16.87in	20mm	0.79in	7.50	593	303-616
m0520	i0020	520mm	20.47in	500mm	19.69in	20mm	0.79in	8.75	691	354-719
m0591	i0023	591mm	23.29in	571mm	22.50in	20mm	0.79in	10.00	790	404-822
m0663	i0026	663mm	26.10in	643mm	25.31in	20mm	0.79in	11.25	889	455-924
m0734	i0029	734mm	28.91in	714mm	28.12in	20mm	0.79in	12.50	988	505-1027
m0806	i0032	806mm	31.72in	786mm	30.93in	20mm	0.79in	13.75	1086	556-1130
m0877	i0035	877mm	34.53in	857mm	33.75in	20mm	0.79in	15.00	1185	606-1232
m0948	i0037	949mm	37.35in	929mm	36.56in	20mm	0.79in	16.25	1284	657-1335
m1020	i0040	1020mm	40.16in	1000mm	39.37in	20mm	0.79in	17.50	1383	707-1438
m1091	i0043	1091mm	42.97in	1071mm	42.18in	20mm	0.79in	18.75	1481	758-1541
m1163	i0046	1163mm	45.78in	1143mm	45.00in	20mm	0.79in	20.00	1580	808-1643
m1234	i0049	1234mm	48.59in	1214mm	47.81in	20mm	0.79in	21.25	1679	859-1746
m1306	i0051	1306mm	51.41in	1286mm	50.62in	20mm	0.79in	22.50	1778	909-1849
m1377	i0054	1377mm	54.22in	1357mm	53.43in	20mm	0.79in	23.75	1876	960-1951
m1448	i0057	1449mm	57.03in	1429mm	56.24in	20mm	0.79in	25.00	1975	1010-2054
m1520	i0060	1520mm	59.84in	1500mm	59.06in	20mm	0.79in	26.25	2074	1061-2157
m1591	i0063	1591mm	62.66in	1571mm	61.87in	20mm	0.79in	27.50	2173	1111-2259
m1663	i0065	1663mm	65.47in	1643mm	64.68in	20mm	0.79in	28.75	2271	1162-2362
m1734	i0068	1734mm	68.28in	1714mm	67.49in	20mm	0.79in	30.00	2370	1212-2465
m1806	i0071	1806mm	71.09in	1786mm	70.31in	20mm	0.79in	31.25	2469	1263-2568
m1877	i0074	1877mm	73.90in	1857mm	73.12in	20mm	0.79in	32.50	2568	1313-2670
m1948	i0077	1949mm	76.72in	1929mm	75.93in	20mm	0.79in	33.75	2666	1364-2773
m2020	i0080	2020mm	79.53in	2000mm	78.74in	20mm	0.79in	35.00	2765	1414-2876

<sup>1</sup> Length of fixture including aluminium extrusion and end clamps

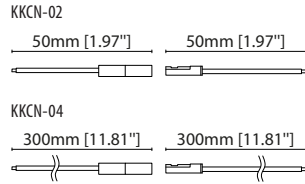
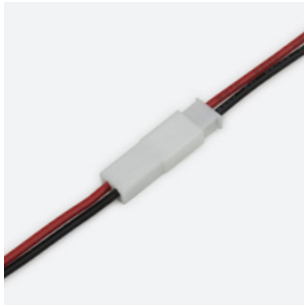
<sup>2</sup> Fixture without clamps available in this length upon request

<sup>3</sup> Overall dimension including both end caps and internal wiring space

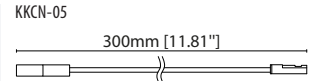


## POWER FEED

Note: Accessories are to be ordered separately with corresponding code shown below.



**KKCN-02** 50mm (1.97in) pair  
**KKCN-04** 300mm (11.81in) pair  
2 PIN male + female JST connector set



**KKCN-05**  
2 PIN 300mm (11.81in) extension lead (JST)

## KKDC CONTROL



IP20  
Black plastic housing  
L164/W64/H34mm  
(L6.46/W2.52/H1.34in)

**KKDM-05** 1-10V  
visDIM dimmable sub-controller



IP20  
Black plastic housing  
L164/W64/H34mm  
(L6.46/W2.52/H1.34in)

**KKSC-03A** DMX (screw terminal)  
visDIM dimmable sub-controller



IP20  
Black plastic housing  
L164/W64/H34mm  
(L6.46/W2.52/H1.34in)

**KKSC-03B** DMX (RJ45)  
visDIM dimmable sub-controller



IP20  
Plastic housing  
L170/W59/H29mm  
(L6.69/W2.32/H1.14in)

**KKDL-02** DALI  
visDIM dimmable sub-controller  
(4 x 8A max @ 12-36V)

Linear

# TANA 508

## Accessories

# KKDC

### KKDC CONTROL (CONTINUED)

---



IP20  
Plastic housing  
L166/W53.4/H23mm  
(L6.54/W2.10/H0.91in)

**KKDL-03** DALI

visDIM dimmable sub-controller  
(4 x 5A max @ 12-36V)



### AVAILABLE PSU OPTIONS

Control Mode	PSU (Order Code)	Input Voltage AC	Output Voltage DC	Rated Output Current	Rated Power	Dim %	IP Rating
Switched	CEN-60-24	90-295V	24V	2.5A	60W	-	IP67
	HLG-60H-24	90-305V	24V	2.5A	60W	-	IP67
	HLG-100H-24	90-305V	24V	4.0A	100W	-	IP67
	HLG-150H-24	90-305V	24V	6.3A	150W	-	IP67
	HLG-240H-24	90-305V	24V	10A	240W	-	IP67
0-10V (1-10V)	PWM-40-24	90-305V	24V	1.67A	40W	100-0.15 (100-10)	IP67
	PWM-60-24	90-305V	24V	2.5A	60W	100-0.15 (100-10)	IP67
	PWM-90-24	90-305V	24V	3.67A	90W	100-0.15 (100-10)	IP67
	PWM-120-24	90-305V	24V	5.0A	120W	100-0.15 (100-10)	IP67
DALI	LIN100A1	120-277V	24V	1A per channel	100W	100-0.1	IP66/IP40
DMX RGB	LIN100A1	120-277V	24V	1.33A per channel	100W	100-0.1	IP66/IP40
DMX RGBW	LIN100A1	120-277A	24V	1A per channel	100W	100-0.1	IP66/IP40

### Flicker Free Options - Combination of PSU+ sub-controller

Control Mode	PSU (Order Code)	Sub-controller (Order Code)	Input Voltage AC	Output Voltage DC	Rated Output Current	Rated Power	Dim %	IP Rating PSU/ Sub-controller
0-10V or 1-10V	CEN-60-24	KKDM-05	90-295V	24V	2.5A	60W	100-0.9	IP67/IP20
	HLG-60H-24	KKDM-05	90-295V	24V	2.5A	60W	100-0.9	IP67/IP20
	HLG-100H-24	KKDM-05	90-295V	24V	4.0A	100W	100-0.9	IP67/IP20
	HLG-150H-24	KKDM-05	90-295V	24V	6.3A	150W	100-0.9	IP67/IP20
	HLG-240H-24	KKDM-05	90-295V	24V	10.0A	240W	100-0.9	IP67/IP20
	CEN-60-24	KKDL-02/03	90-295V	24V	2.5A	60W	100-0.1	IP67/IP20
DALI	HLG-60H-24	KKDL-02/03	90-305V	24V	2.5A	60W	100-0.1	IP67/IP20
	HLG-100H-24	KKDL-02/03	90-305V	24V	4.0A	100W	100-0.1	IP67/IP20
	HLG-150H-24	KKDL-02/03	90-305V	24V	6.3A	150W	100-0.1	IP67/IP20
	HLG-240H-24	KKDL-02/03	90-305V	24V	10.0A	240W	100-0.1	IP67/IP20
DMX RGB	CEN-60-24	KKSC-03	90-295V	24V	2.5A	60W	100-0.9	IP67/IP20
	HLG-60H-24	KKSC-03	90-305V	24V	2.5A	60W	100-0.9	IP67/IP20
	HLG-100H-24	KKSC-03	90-305V	24V	4A	100W	100-0.9	IP67/IP20
	HLG-150H-24	KKSC-03	90-305V	24V	6.3A	150W	100-0.9	IP67/IP20
	HLG-240H-24	KKSC-03	90-305V	24V	10.0A	240W	100-0.9	IP67/IP20

<sup>1</sup> The items shown above cover the most frequently used specification but does not exhaust the possible options

<sup>2</sup> PSU and/or driver can be chosen from the table, or KKDC may recommend the best option upon receipt of the controls requirement and installation environment

<sup>3</sup> Electrical shop drawing will include detailed information of PSU and relevant control drivers

<sup>4</sup> Cut sheets are available on the controls section of [www.kkdc.lighting](http://www.kkdc.lighting) or upon request

Linear

# TANA RGB

## Specification sheet



<b>Dimension</b>	H18/W25/L120-2020mm (H0.71/W0.98/L4.72-79.53in)
<b>PCB increment</b>	83.3mm increment/2000mm max (3.28in increment/78.74in max)
<b>LED pitch</b>	13.9mm - 72LED/m (0.55in - 22LED/ft)
<b>Chip</b>	Red TEKCORE/Green EPILEDS/Blue 3E
<b>Beam angle</b>	90° (Clear Cover 45°) / 50° (Clear Cover 5°) / 110° (Diffused Cover)
<b>Colours</b>	Red 620-625nm/Blue 455-460nm/Green 520-525nm
<b>Bin/Step</b>	5nm tolerance
<b>CRI</b>	≥ 90
<b>Lifetime</b>	35,000 hours @ 25°C (35,000 hours @ 77°F)
<b>Operating temp</b>	T <sub>a</sub> = -25 to 50°C (T <sub>c</sub> max = 83°C) T <sub>a</sub> = -13 to 122°F (T <sub>c</sub> max = 181.4°F)
<b>IP rating</b>	IP40
<b>Finish</b>	Silver anodised
<b>Cover/lens</b>	Clear/Diffused
<b>Mounting</b>	Surface mounting via screw fixing, 3M tape or magnets
<b>Power feed</b>	Hardwire tails or male/female connectors
<b>Control</b>	DMX/DALI



### PERFORMANCE DATA

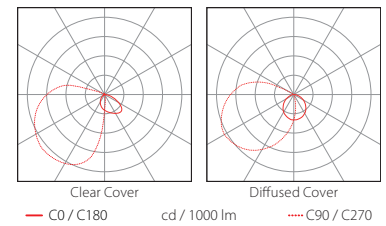
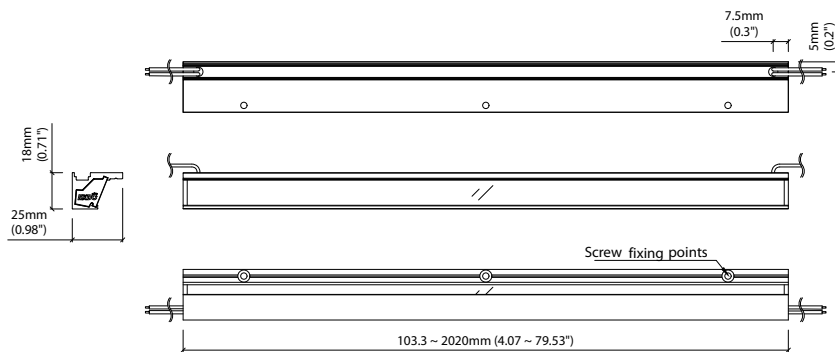
Power consumption	Supply voltage	Supply current
15.6W/m (4.75W/ft)	24V DC	0.65A/m (0.20A/ft)

#### Clear Cover

Red: 119lm/m (36lm/ft)  
Green: 257lm/m (78lm/ft)  
Blue: 42lm/m (13lm/ft)  
RGB: 372lm/m (113lm/ft)

#### Diffused Cover

Red: 86lm/m (26lm/ft)  
Green: 186lm/m (57lm/ft)  
Blue: 31lm/m (9lm/ft)  
RGB: 269lm/m (82lm/ft)



Data derived from IESNA LM-79-08 accredited testing of production samples.

# TANA RGB

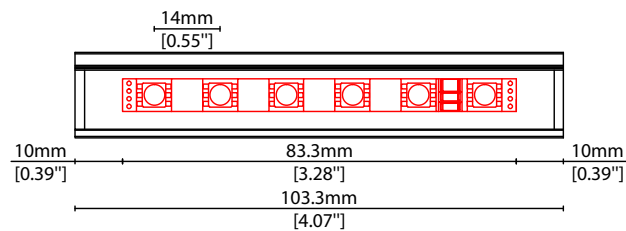
## Length Availability List

Length Code		Fixture Length <sup>1</sup>		LED Strip <sup>2</sup>		End Cap Dimension <sup>3</sup>		Wattage (W)	Output (lm)			
Metric	Imperial(US)	Metric	Imperial(US)	Metric	Imperial(US)	Metric	Imperial(US)		R	G	B	W
m0103	i0004	103mm	4.07in	83mm	3.28in	20mm	0.79in	1.30	3	7	4	9
m0187	i0007	187mm	7.35in	167mm	6.56in	20mm	0.79in	2.60	6	13	7	19
m0270	i0011	270mm	10.63in	250mm	9.84in	20mm	0.79in	3.90	9	20	11	28
m0353	i0014	353mm	13.91in	333mm	13.12in	20mm	0.79in	5.20	12	26	14	38
m0437	i0017	437mm	17.19in	417mm	16.41in	20mm	0.79in	6.50	15	33	18	47
m0520	i0020	520mm	20.47in	500mm	19.69in	20mm	0.79in	7.80	18	39	21	57
m0603	i0024	603mm	23.76in	583mm	22.97in	20mm	0.79in	9.10	21	46	25	66
m0687	i0027	687mm	27.04in	667mm	26.25in	20mm	0.79in	10.40	24	52	28	75
m0770	i0030	770mm	30.32in	750mm	29.53in	20mm	0.79in	11.70	27	59	32	85
m0853	i0034	853mm	33.60in	833mm	32.81in	20mm	0.79in	13.00	30	65	35	94
m0937	i0037	937mm	36.88in	917mm	36.09in	20mm	0.79in	14.30	33	72	39	104
m1020	i0040	1020mm	40.16in	1000mm	39.37in	20mm	0.79in	15.60	36	78	42	113
m1103	i0043	1103mm	43.44in	1083mm	42.65in	20mm	0.79in	16.90	39	85	46	122
m1187	i0047	1187mm	46.72in	1167mm	45.94in	20mm	0.79in	18.20	42	91	49	132
m1270	i0050	1270mm	50.00in	1250mm	49.22in	20mm	0.79in	19.50	45	98	53	141
m1353	i0053	1353mm	53.29in	1333mm	52.50in	20mm	0.79in	20.80	48	104	56	151
m1437	i0057	1437mm	56.57in	1417mm	55.78in	20mm	0.79in	22.10	51	111	60	160
m1520	i0060	1520mm	59.85in	1500mm	59.06in	20mm	0.79in	23.40	54	117	63	170
m1603	i0063	1603mm	63.13in	1583mm	62.34in	20mm	0.79in	24.70	57	124	67	179
m1687	i0066	1687mm	66.41in	1667mm	65.62in	20mm	0.79in	26.00	60	130	70	188
m1770	i0070	1770mm	69.69in	1750mm	68.90in	20mm	0.79in	27.30	63	137	74	198
m1853	i0073	1853mm	72.97in	1833mm	72.18in	20mm	0.79in	28.60	66	143	77	207
m1937	i0076	1937mm	76.25in	1917mm	75.47in	20mm	0.79in	29.90	69	150	81	217
m2020	i0080	2020mm	79.53in	2000mm	78.75in	20mm	0.79in	31.20	72	156	84	226

<sup>1</sup> Length of fixture including aluminium extrusion and end clamps

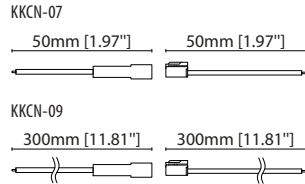
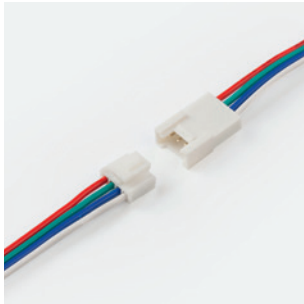
<sup>2</sup> Fixture without clamps available in this length upon request

<sup>3</sup> Overall dimension including both end caps and internal wiring space

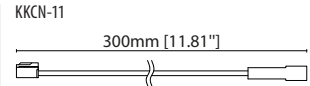


## POWER FEED

Note: Accessories are to be ordered separately with corresponding code shown below.



**KKCN-07** 50mm (1.97in) pair  
**KKCN-09** 300mm (11.81in) pair  
4 PIN RGB male + female  
connector set



**KKCN-11**  
4 PIN RGB 300mm (11.81in)  
extension lead

## KKDC CONTROL



IP20  
Black plastic housing  
L164/W64/H34mm  
(L6.46/W2.52/H1.34in)

**KKDM-05** 1-10V  
visDIM dimmable sub-controller



IP20  
Black plastic housing  
L164/W64/H34mm  
(L6.46/W2.52/H1.34in)

**KKSC-03A** DMX (screw terminal)  
visDIM dimmable sub-controller



IP20  
Black plastic housing  
L164/W64/H34mm  
(L6.46/W2.52/H1.34in)

**KKSC-03B** DMX (RJ45)  
visDIM dimmable sub-controller



IP20  
Plastic housing  
L170/W59/H29mm  
(L6.69/W2.32/H1.14in)

**KKDL-02** DALI  
visDIM dimmable sub-controller  
(4 x 8A max @ 12-36V)



# TANA RGB Accessories



## KKDC CONTROL (CONTINUED)

---



IP20  
Plastic housing  
L166/W53.4/H23mm  
(L6.54/W2.10/H0.91in)

**KKDL-03** DALI

visDIM dimmable sub-controller  
(4 x 5A max @ 12-36V)

### AVAILABLE PSU OPTIONS

Control Mode	PSU (Order Code)	Input Voltage AC	Output Voltage DC	Rated Output Current	Rated Power	Dim %	IP Rating
Switched	CEN-60-24	90-295V	24V	2.5A	60W	-	IP67
	HLG-60H-24	90-305V	24V	2.5A	60W	-	IP67
	HLG-100H-24	90-305V	24V	4.0A	100W	-	IP67
	HLG-150H-24	90-305V	24V	6.3A	150W	-	IP67
	HLG-240H-24	90-305V	24V	10A	240W	-	IP67
0-10V (1-10V)	PWM-40-24	90-305V	24V	1.67A	40W	100-0.15 (100-10)	IP67
	PWM-60-24	90-305V	24V	2.5A	60W	100-0.15 (100-10)	IP67
	PWM-90-24	90-305V	24V	3.67A	90W	100-0.15 (100-10)	IP67
	PWM-120-24	90-305V	24V	5.0A	120W	100-0.15 (100-10)	IP67
DALI	LIN100A1	120-277V	24V	1A per channel	100W	100-0.1	IP66/IP40
DMX RGB	LIN100A1	120-277V	24V	1.33A per channel	100W	100-0.1	IP66/IP40
DMX RGBW	LIN100A1	120-277A	24V	1A per channel	100W	100-0.1	IP66/IP40

### Flicker Free Options - Combination of PSU+ sub-controller

Control Mode	PSU (Order Code)	Sub-controller (Order Code)	Input Voltage AC	Output Voltage DC	Rated Output Current	Rated Power	Dim %	IP Rating PSU/ Sub-controller
0-10V or 1-10V	CEN-60-24	KKDM-05	90-295V	24V	2.5A	60W	100-0.9	IP67/IP20
	HLG-60H-24	KKDM-05	90-295V	24V	2.5A	60W	100-0.9	IP67/IP20
	HLG-100H-24	KKDM-05	90-295V	24V	4.0A	100W	100-0.9	IP67/IP20
	HLG-150H-24	KKDM-05	90-295V	24V	6.3A	150W	100-0.9	IP67/IP20
	HLG-240H-24	KKDM-05	90-295V	24V	10.0A	240W	100-0.9	IP67/IP20
	CEN-60-24	KKDL-02/03	90-295V	24V	2.5A	60W	100-0.1	IP67/IP20
DALI	HLG-60H-24	KKDL-02/03	90-305V	24V	2.5A	60W	100-0.1	IP67/IP20
	HLG-100H-24	KKDL-02/03	90-305V	24V	4.0A	100W	100-0.1	IP67/IP20
	HLG-150H-24	KKDL-02/03	90-305V	24V	6.3A	150W	100-0.1	IP67/IP20
	HLG-240H-24	KKDL-02/03	90-305V	24V	10.0A	240W	100-0.1	IP67/IP20
DMX RGB	CEN-60-24	KKSC-03	90-295V	24V	2.5A	60W	100-0.9	IP67/IP20
	HLG-60H-24	KKSC-03	90-305V	24V	2.5A	60W	100-0.9	IP67/IP20
	HLG-100H-24	KKSC-03	90-305V	24V	4A	100W	100-0.9	IP67/IP20
	HLG-150H-24	KKSC-03	90-305V	24V	6.3A	150W	100-0.9	IP67/IP20
	HLG-240H-24	KKSC-03	90-305V	24V	10.0A	240W	100-0.9	IP67/IP20

<sup>1</sup> The items shown above cover the most frequently used specification but does not exhaust the possible options

<sup>2</sup> PSU and/or driver can be chosen from the table, or KKDC may recommend the best option upon receipt of the controls requirement and installation environment

<sup>3</sup> Electrical shop drawing will include detailed information of PSU and relevant control drivers

<sup>4</sup> Cut sheets are available on the controls section of [www.kkdc.lighting](http://www.kkdc.lighting) or upon request