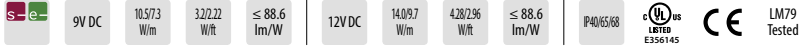


Flexible

Quadro Luna

Specification sheet

KKDC



Dimension	H10.8/W40/L56.7mm (H0.43/W1.57/L2.23in) (9/13 modules per metre)
Module pitch	111/77mm (4.37/3.03in)
Chip	s/e-line Toyoda Gosei
Beam angle	110°
Colours	s/e-line 2100K/2300K/2500K/2700K/3000K/3200K/3500K/4000K/5000K s-line Single colours: Red/Green/Blue/Orange/Amber
Bin/Step	s-line 2 Step MacAdam ellipse e-line 3 Step MacAdam ellipse
CRI	≥ 90
Lifetime	50,000 hours @ 25°C (50,000 hours @ 77°F)
Operating temp	IP40: T _a = -25 to 50°C (T _c max = 68°C) T _a = -13 to 122°F (T _c max = 154.4°F) IP65: T _a = -25 to 50°C (T _c max = 68°C) T _a = -13 to 122°F (T _c max = 154.4°F) IP68: T _a = -25 to 50°C (T _c max = 68°C) T _a = -13 to 122°F (T _c max = 154.4°F)
IP rating	IP40/IP65/IP68
Finish	Polycarbonate
Cover/lens	Clear
Mounting	3M adhesive tape (IP40/65), Screw fixing (IP68)
Min bend radius	90° (77mm/3.03" pitch)/180° (111mm/4.37" pitch)
Connection	Sheathed hardwire single/double ended tail (RGB non-sheathed)
Control	0-10V/1-10V/DMX/DALI



LED Grading Key

Exclusive Grade

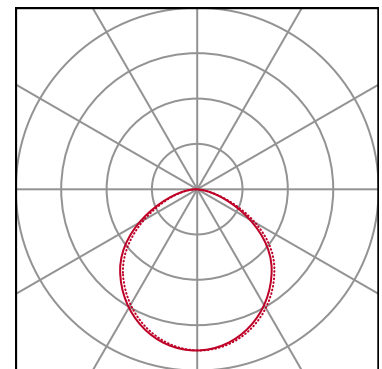
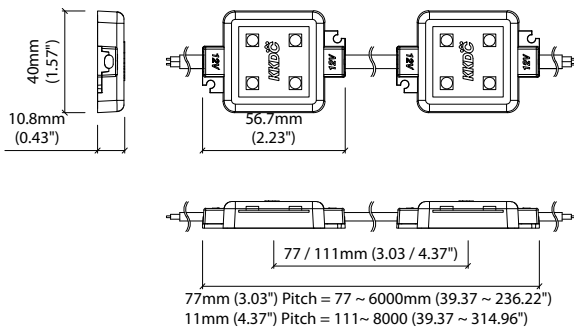
- s-line* 2-step CCT range
- e-line* 3-step CCT range

*KKDC tuned CCT range

PERFORMANCE DATA @ 3000K

Supply voltage	Modules per metre	Power consumption	Supply current
9V DC	13 modules (77mm pitch)	10.5W/m (3.2W/ft)	1.17A/m (0.36A/ft)
9V DC	9 modules (111mm pitch)	7.3W/m (2.23W/ft)	0.81A/m (0.25A/ft)
12V DC	13 modules (77mm pitch)	14.0W/m (4.27W/ft)	1.17A/m (0.36A/ft)
12V DC	9 modules (111mm pitch)	9.7W/m (2.96W/ft)	0.81A/m (0.25A/ft)

	Clear Cover (9V DC 13modules)	Clear Cover (9V DC 9modules)	Clear Cover (12V DC 13modules)	Clear Cover (12V DC 9modules)	CRI	R9	Rf	Rg
s/e-line	930lm/m (283lm/ft) 88.6lm/W	650lm/m (198lm/ft) 88.6lm/W	910lm/m (277lm/ft) 64.8lm/W	640lm/m (195lm/ft) 65.4lm/W	90	50	-	-



— C0 / C180 cd / 1000 lm - - - C90 / C270

Data derived from independent UKAS / IESNA LM-79-08 accredited testing of production samples.