

Flexible

Quadro Luna RGB

Specification sheet

KKDC



Dimension	H10.7/W22/L60mm (H0.42/W0.86/L2.36in) (9/13 modules per metre)
Module pitch	111/77mm (4.37/3.03in)
Chip	Red TEKCORE/Green EPILEDs/Blue 3E
Beam angle	110°
Colours	Red 620-625nm/Blue 455-460nm/Green 520-525nm
Bin/Step	5nm tolerance
CRI	N/A
Lifetime	50,000 hours @ 25°C (50,000 hours @ 77°F)
Operating temp	IP40: T _a = -25 to 50°C (T _c max = 68°C) T _a = -13 to 122°F (T _c max = 154.4°F) IP65: T _a = -25 to 50°C (T _c max = 68°C) T _a = -13 to 122°F (T _c max = 154.4°F) IP68: T _a = -25 to 50°C (T _c max = 68°C) T _a = -13 to 122°F (T _c max = 154.4°F)
IP rating	IP40/IP65/IP68
Finish	Polycarbonate
Cover/lens	Clear
Mounting	3M adhesive tape (IP40/65), Screw fixing (IP68)
Min bend radius	90° (77mm/3.03" pitch)/180° (111mm/4.37" pitch)
Connection	Sheathed hardwire single/double ended sheathed tail
Control	DMX/DALI



PERFORMANCE DATA

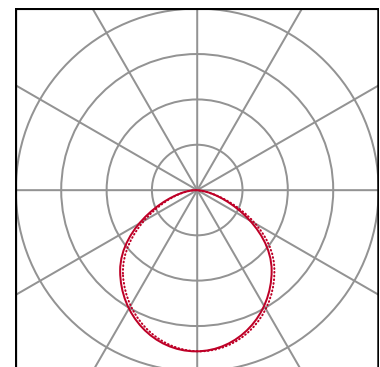
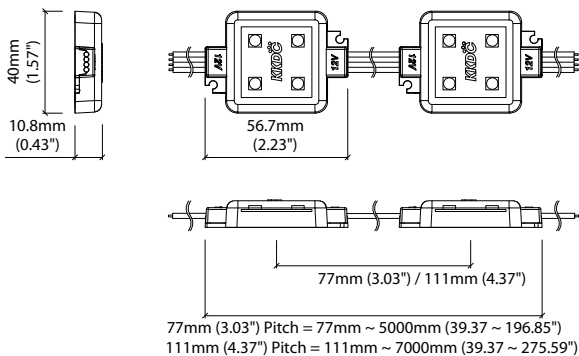
Supply voltage	Modules per metre	Power consumption	Supply current
12V DC	13 modules (77mm pitch)	14.0W/m (4.27W/ft)	1.17A/m (0.36A/ft)
12V DC	9 modules (111mm pitch)	9.7W/m (2.96W/ft)	0.81A/m (0.25A/ft)

Clear Cover (12V DC 9 modules)

Red: 63lm/m (19lm/ft)
Green: 142lm/m (43lm/ft)
Blue: 25lm/m (8lm/ft)
White: 213lm/m (65lm/ft)

Clear Cover (12V DC 13 modules)

Red: 85lm/m (26lm/ft)
Green: 225lm/m (69lm/ft)
Blue: 36lm/m (11lm/ft)
White: 322lm/m (98lm/ft)



Clear Cover
— C0 / C180 cd / 1000 lm - - - C90 / C270

Data derived from independent UKAS / IESNA LM-79-08 accredited testing of production samples.