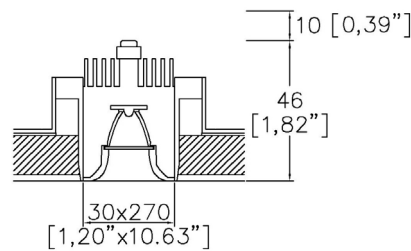


ProSpex Line 10LED Flare Trimless



30 x 270mm (1.20" x 10.63") overall dimension. Fully recessed downlight for interior installation. Family of matching products also available. Required depth height + 10mm



2610-FL-TL

LED Source	LED	LED	LED
CCT	3000K	3000K	3000K
Drive Current	700mA	700mA	700mA
Power inc Driver	26W	26W	26W
Beam Angle	12°	34°	48°
Delivered Lumens	1348	1463	1368
Delivered Intensity cd	13085	4587	2755
Efficacy lm/w	52	56	53
Forward Volt	30V	30V	30V
CRI	≥90 CRI	≥90 CRI	≥90 CRI

Project Ref: _____

Location Ref: _____

Fixture Order Code: 2610-FL-TL - [] - [] - [] - []

Fixture 2610-FL-TL Line 10LED Flared Baffle Trimless

CCT 27 90 CRI 2700K
30 90 CRI 3000K
40 90 CRI 4000K

Finish BK Black*

Beam 12 12°
34 34°
48 48°

Protocol S Non-Dim
A Analogue (0-10v)
P Phase
D DALI
B Bluetooth**

Please refer to installation instruction for wiring diagram

Technical Details

*Other RAL trim finishes upon application

Dimming. Whilst Lucent can offer the majority of its luminaires with various dimming options, it remains the responsibility of the specifier/installer to check and ensure compatibility of any control equipment used.

**Bluetooth (wireless) is the communication method. The exact dimming protocol must be confirmed to allow the selection of suitable drivers or bluetooth devices.

^ Depth indicated is the minimum recess depth for the luminaire with a remote mounted LED driver. Installing a driver through either the luminaire cut-out or installation kit may require additional recess depth, please refer to the relevant luminaire installation instructions for further details.

First Fix Requirement. Luminaire comprised of fixture body with ceiling trim and installation kit, which is to be fitted into the ceiling once finished. Ensure correct alignment of the installation kit before final assembly (see luminaire installation instructions for details)

IP Rating. Tested from underside of the ceiling

It is the policy of Lucent Lighting to continually review and improve its products and therefore reserve the right to change any details of product or withdraw specifications without prior notice.

Luminaires designed to comply with EN60598 and all other standards.

This specification sheet supersedes all previous versions.

All intellectual property rights pertaining to the product described above and to this document are owned by or licensed to Lucent Lighting Ltd.

We reserve the right to take whatever action is necessary to protect those intellectual property rights.

Please notify Lucent Lighting Ltd of any inaccuracies immediately. E&OE

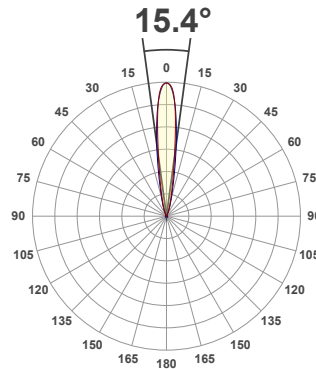
Light efficiency:



Light quality:



Color temperature:



Product name:

Line 10LED Flare, 3000K, 12°, 700mA

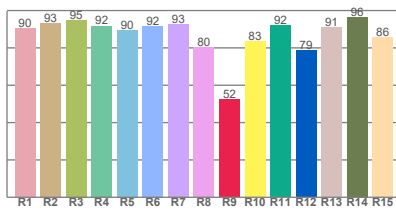
Item number:

2610-FL-30-12-700mA

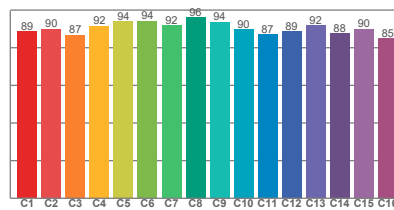
Delivered information for above fixture and LED combination.

Output: 1348 Lumen Peak intensity: 13085 cd Power consumption: 26.0

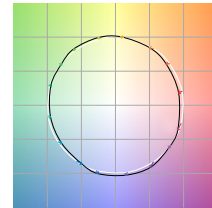
CRI R values



TM30 C Values

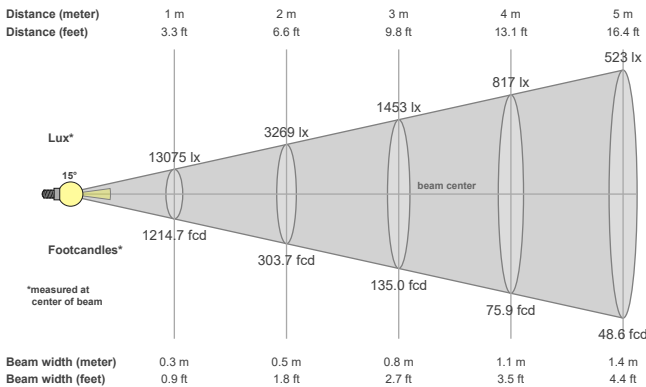


Color vector graphics



Color temperature	Color rendering index	Red component	Color fidelity	Color gamut	Color quality scale	Color coordinate cie 1931	Color coordinate cie 1931	Color coordinate	Color coordinate	Color deviation from black body
CCT	CRI	CRI R9	TM30 Rf	TM30 Rg	CQS	x	y	u	v	Δuv
3000 K	90.6	52.4	90.3	99.1	89.8	0.437	0.404	0.251	0.350	0.0022

Beam details



Beam angles

Beam angle 50%	Field angle 10%	Cutoff angle 2,5%
15.4°	33°	46.5°

Beam intensities

Peak intensity	Int. ratio in 120° cone	Int. ratio in 90° cone
13085 cd	99.8%	99.6%

Beam intensities from 1-20m

1m	2m	3m	4m	5m	6m	7m	8m	9m	10m	11m	12m	13m	14m	15m	16m	17m	18m	19m	20m
3.3ft	6.6ft	9.8ft	13.1ft	16.4ft	19.7ft	23ft	26.2ft	29.5ft	32.8ft	36.1ft	39.4ft	42.7ft	45.9ft	49.2ft	52.5ft	55.8ft	59.1ft	62.3ft	65.6ft
13075lx	3269lx	1453lx	817lx	523lx	363lx	267lx	204lx	161lx	131lx	108lx	91lx	77lx	67lx	58lx	51lx	45lx	40lx	36lx	33lx
1214.7fcd	303.7fcd	135fcd	75.9fcd	48.6fcd	33.7fcd	24.8fcd	19fcd	15fcd	12.1fcd	10fcd	8.4fcd	7.2fcd	6.2fcd	5.4fcd	4.7fcd	4.2fcd	3.7fcd	3.4fcd	3fcd

The above information is for 3000K colour temperature, for specific module information please see LED spec located on our website

For information regarding other colour temperatures please use the following factors for lumen output and candelas:

2700K = 0.82

4000K = 1.11

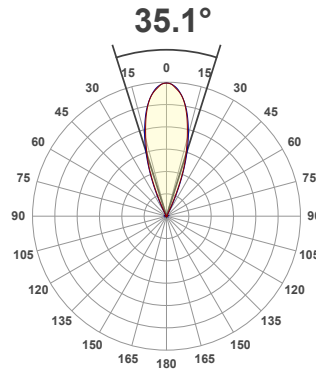
Light efficiency:



Light quality:



Color temperature:



Product name:

Line 10LED Flare, 3000K, 34°, 700mA

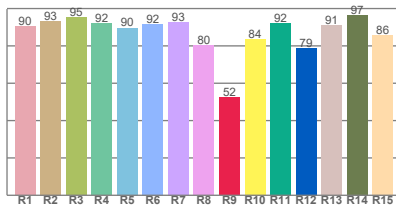
Item number:

2610-FL-30-34-700mA

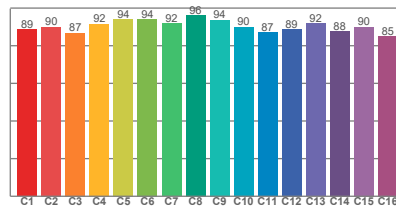
Delivered information for above fixture and LED combination.

Output: 1463 Lumen Peak intensity: 4587 cd Power consumption: 26.0

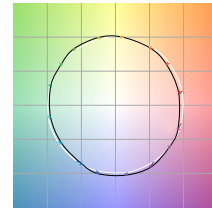
CRI R values



TM30 C Values

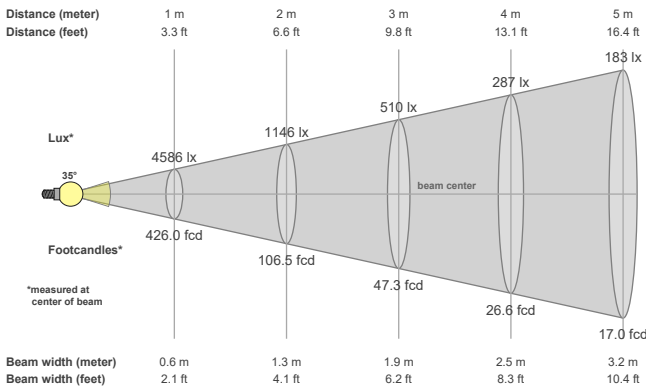


Color vector graphics



Color temperature	Color rendering index	Red component	Color fidelity	Color gamut	Color quality scale	Color coordinate cie 1931	Color coordinate cie 1931	Color coordinate	Color coordinate	Color deviation from black body
CCT	CRI	CRI R9	TM30 Rf	TM30 Rg	CQS	x	y	u	v	Δuv
3000 K	90.7	52.5	90.4	99.1	89.8	0.437	0.404	0.251	0.350	0.0021

Beam details



Beam angles

Beam angle 50%	Field angle 10%	Cutoff angle 2,5%
35.1°	50.8°	56.8°

Beam intensities

Peak intensity	Int. ratio in 120° cone	Int. ratio in 90° cone
4587 cd	99.8%	99.7%

Beam intensities from 1-20m

1m	2m	3m	4m	5m	6m	7m	8m	9m	10m	11m	12m	13m	14m	15m	16m	17m	18m	19m	20m
3.3ft	6.6ft	9.8ft	13.1ft	16.4ft	19.7ft	23ft	26.2ft	29.5ft	32.8ft	36.1ft	39.4ft	42.7ft	45.9ft	49.2ft	52.5ft	55.8ft	59.1ft	62.3ft	65.6ft
4586lx	1146lx	510lx	287lx	183lx	127lx	94lx	72lx	57lx	46lx	38lx	32lx	27lx	23lx	20lx	18lx	16lx	14lx	13lx	11lx
426fcd	106.5fcd	47.3fcd	26.6fcd	17fcd	11.8fcd	8.7fcd	6.7fcd	5.3fcd	4.3fcd	3.5fcd	3fcd	2.5fcd	2.2fcd	1.9fcd	1.7fcd	1.5fcd	1.3fcd	1.2fcd	1.1fcd

The above information is for 3000K colour temperature, for specific module information please see LED spec located on our website

For information regarding other colour temperatures please use the following factors for lumen output and candelas:

2700K = 0.82

4000K = 1.11

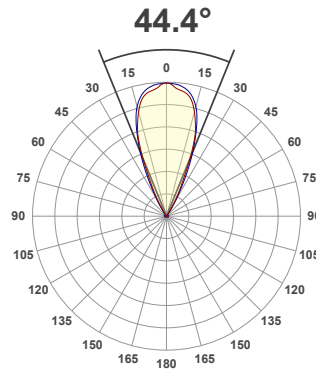
Light efficiency:



Light quality:



Color temperature:



Product name:

Line 10LED Flare, 3000K, 48°, 700mA

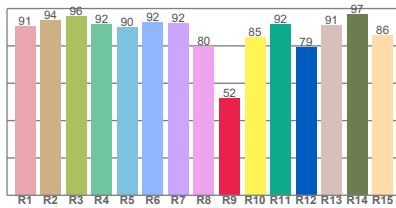
Item number:

2610-FL-30-48-700mA

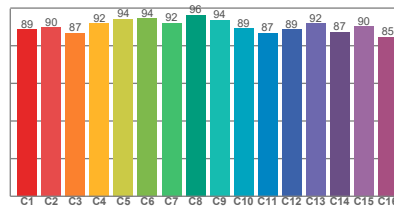
Delivered information for above fixture and LED combination.

Output: 1368 Lumen Peak intensity: 2755 cd Power consumption: 26.0

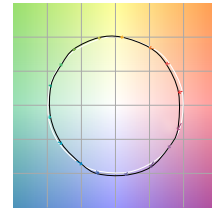
CRI R values



TM30 C Values

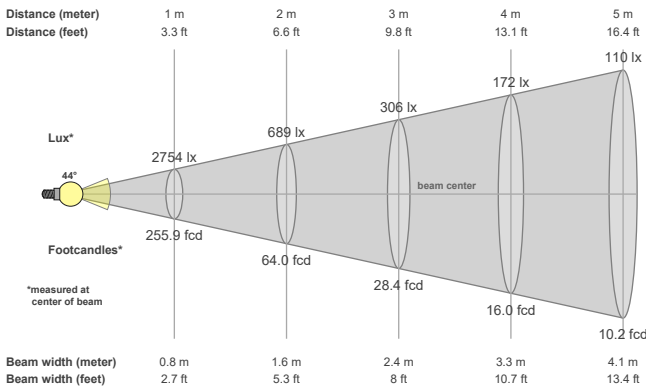


Color vector graphics



Color temperature	Color rendering index	Red component	Color fidelity	Color gamut	Color quality scale	Color coordinate cie 1931	Color coordinate cie 1931	Color coordinate	Color coordinate	Color deviation from black body
CCT	CRI	CRI R9	TM30 Rf	TM30 Rg	CQS	x	y	u	v	Δuv
3000 K	90.8	52.1	90.3	99.0	89.7	0.437	0.404	0.251	0.349	0.0014

Beam details



Beam angles

Beam angle 50%	Field angle 10%	Cutoff angle 2,5%
44.4°	61.7°	69.6°

Beam intensities

Peak intensity	Int. ratio in 120° cone	Int. ratio in 90° cone
2755 cd	99.9%	99.7%

Beam intensities from 1-20m

1m	2m	3m	4m	5m	6m	7m	8m	9m	10m	11m	12m	13m	14m	15m	16m	17m	18m	19m	20m
3.3ft	6.6ft	9.8ft	13.1ft	16.4ft	19.7ft	23ft	26.2ft	29.5ft	32.8ft	36.1ft	39.4ft	42.7ft	45.9ft	49.2ft	52.5ft	55.8ft	59.1ft	62.3ft	65.6ft
2754lx	689lx	306lx	172lx	110lx	77lx	56lx	43lx	34lx	28lx	23lx	19lx	16lx	14lx	12lx	11lx	10lx	9lx	8lx	7lx
255.9fcd	64fcd	28.4fcd	16fcd	10.2fcd	7.1fcd	5.2fcd	4fcd	3.2fcd	2.6fcd	2.1fcd	1.8fcd	1.5fcd	1.3fcd	1.1fcd	1fcd	0.9fcd	0.8fcd	0.7fcd	0.6fcd

The above information is for 3000K colour temperature, for specific module information please see LED spec located on our website

For information regarding other colour temperatures please use the following factors for lumen output and candelas:

2700K = 0.82

4000K = 1.11