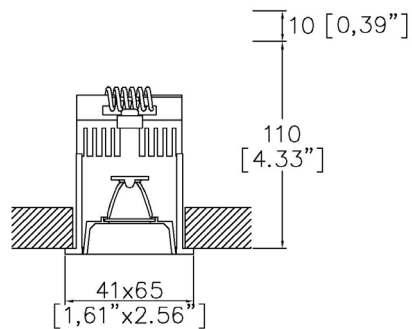


ProSpex Line 2LED Cube



41 x 65mm (1.61" x 2.56") overall dimension. Fully recessed downlight for interior installation. Family of matching products also available. Required depth height + 10mm



2602-CB-TR

LED Source	LED	LED	LED
CCT	3000K	3000K	3000K
Drive Current	700mA	700mA	700mA
Power inc Driver	5.2W	5.2W	5.2W
Beam Angle	12°	34°	48°
Delivered Lumens	313	333	328
Delivered Intensity cd	2805	876	522
Efficacy lm/w	60	64	63
Forward Volt	6V	6V	6V
CRI	≥90 CRI	≥90 CRI	≥90 CRI

Project Ref: _____

Location Ref: _____

Fixture Order Code: 2602-CB-TR - [] - [] - [] - []

Fixture 2602-CB-TR Line 2LED Cubed Baffle Trim

CCT 27 90 CRI 2700K
30 90 CRI 3000K
40 90 CRI 4000K

Finish BK Black*

Beam 12 12°
34 34°
48 48°

Protocol S Non-Dim
A Analogue (0-10v)
P Phase
D DALI
B Bluetooth**

Please refer to installation instruction for wiring diagram

Technical Details

*Other RAL trim finishes upon application

Dimming. Whilst Lucent can offer the majority of its luminaires with various dimming options, it remains the responsibility of the specifier/installer to check and ensure compatibility of any control equipment used.

**Bluetooth (wireless) is the communication method. The exact dimming protocol must be confirmed to allow the selection of suitable drivers or bluetooth devices.

^ Depth indicated is the minimum recess depth for the luminaire with a remote mounted LED driver. Installing a driver through either the luminaire cut-out or installation kit may require additional recess depth, please refer to the relevant luminaire installation instructions for further details.

First Fix Requirement. Luminaire comprised of fixture body with ceiling trim and installation kit, which is to be fitted into the ceiling once finished. Ensure correct alignment of the installation kit before final assembly.

IP Rating. Tested from underside of the ceiling

It is the policy of Lucent Lighting to continually review and improve its products and therefore reserve the right to change any details of product or withdraw specifications without prior notice.

Luminaires designed to comply with EN60598 and all other standards.

This specification sheet superseded all previous versions.

All intellectual property rights pertaining to the product described above and to this document are owned by or licensed to Lucent Lighting Ltd.

We reserve the right to take whatever action is necessary to protect those intellectual property rights.

Please notify Lucent Lighting Ltd of any inaccuracies immediately. E&OE

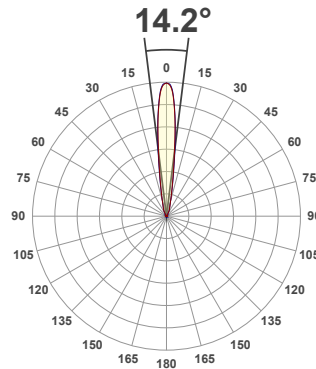
Light efficiency:



Light quality:



Color temperature:



Product name:

Line 2LED Cube, 3000K, 12°, 700mA

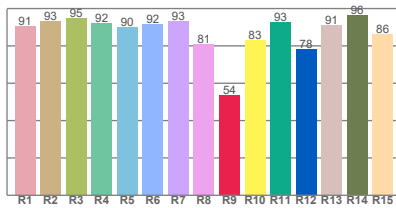
Item number:

2602-CB-30-12-700mA

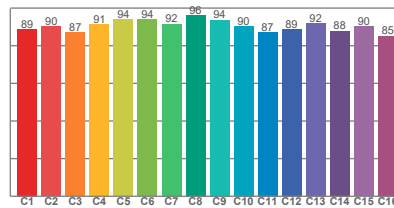
Delivered information for above fixture and LED combination.

Output: 313 Lumen Peak intensity: 2805 cd Power consumption: 5.2

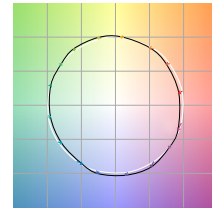
CRI R values



TM30 C Values

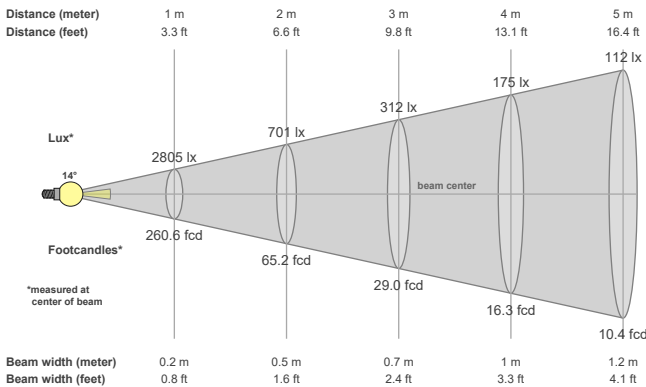


Color vector graphics



Color temperature	Color rendering index	Red component	Color fidelity	Color gamut	Color quality scale	Color coordinate cie 1931	Color coordinate cie 1931	Color coordinate	Color coordinate	Color deviation from black body
CCT	CRI	CRI R9	TM30 Rf	TM30 Rg	CQS	x	y	u	v	Δuv
3000 K	90.8	53.6	90.4	99.3	89.9	0.437	0.404	0.251	0.350	0.0024

Beam details



Beam angles

Beam angle 50%	Field angle 10%	Cutoff angle 2,5%
14.2°	32.6°	56.1°

Beam intensities

Peak intensity	Int. ratio in 120° cone	Int. ratio in 90° cone
2805 cd	99.6%	99.3%

Beam intensities from 1-20m

1m	2m	3m	4m	5m	6m	7m	8m	9m	10m	11m	12m	13m	14m	15m	16m	17m	18m	19m	20m
3.3ft	6.6ft	9.8ft	13.1ft	16.4ft	19.7ft	23ft	26.2ft	29.5ft	32.8ft	36.1ft	39.4ft	42.7ft	45.9ft	49.2ft	52.5ft	55.8ft	59.1ft	62.3ft	65.6ft
2805lx	701lx	312lx	175lx	112lx	78lx	57lx	44lx	35lx	28lx	23lx	19lx	17lx	14lx	12lx	11lx	10lx	9lx	8lx	7lx
260.6fcd	65.2fcd	29fcd	16.3fcd	10.4fcd	7.2fcd	5.3fcd	4.1fcd	3.2fcd	2.6fcd	2.2fcd	1.8fcd	1.5fcd	1.3fcd	1.2fcd	1fcd	0.9fcd	0.8fcd	0.7fcd	0.7fcd

The above information is for 3000K colour temperature, for specific module information please see LED spec located on our website

For information regarding other colour temperatures please use the following factors for lumen output and candelas:

2700K = 0.82

4000K = 1.11

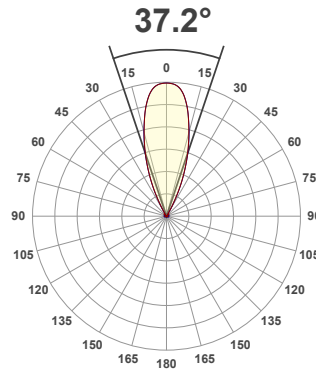
Light efficiency:



Light quality:



Color temperature:



Product name:

Line 2LED Cube, 3000K, 34°, 700mA

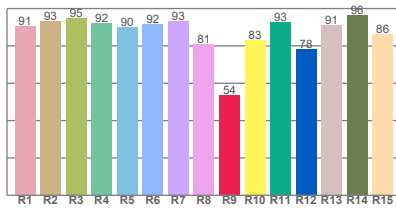
Item number:

2602-CB-30-34-700mA

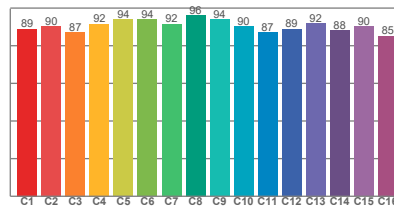
Delivered information for above fixture and LED combination.

Output: 333 Lumen Peak intensity: 876 cd Power consumption: 5.2

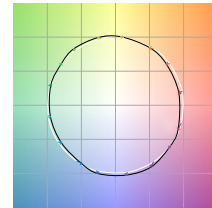
CRI R values



TM30 C Values

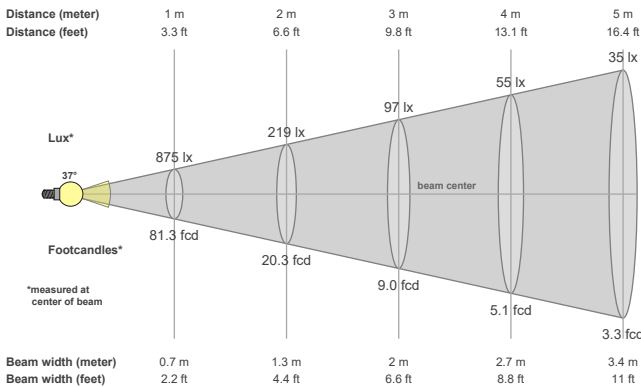


Color vector graphics



Color temperature	Color rendering index	Red component	Color fidelity	Color gamut	Color quality scale	Color coordinate cie 1931	Color coordinate cie 1931	Color coordinate	Color coordinate	Color deviation from black body
CCT	CRI	CRI R9	TM30 Rf	TM30 Rg	CQS	x	y	u	v	Δuv
3000 K	90.8	53.8	90.5	99.3	90.0	0.437	0.404	0.251	0.350	0.0025

Beam details



Beam angles

Beam angle 50%	Field angle 10%	Cutoff angle 2,5%
37.2°	56.7°	62.7°

Beam intensities

Peak intensity	Int. ratio in 120° cone	Int. ratio in 90° cone
876 cd	99.7%	99.4%

Beam intensities from 1-20m

1m	2m	3m	4m	5m	6m	7m	8m	9m	10m	11m	12m	13m	14m	15m	16m	17m	18m	19m	20m
3.3ft	6.6ft	9.8ft	13.1ft	16.4ft	19.7ft	23ft	26.2ft	29.5ft	32.8ft	36.1ft	39.4ft	42.7ft	45.9ft	49.2ft	52.5ft	55.8ft	59.1ft	62.3ft	65.6ft
875lx	219lx	97lx	55lx	35lx	24lx	18lx	14lx	11lx	9lx	7lx	6lx	5lx	4lx	4lx	3lx	3lx	3lx	2lx	2lx
81.3fcd	20.3fcd	9fcd	5.1fcd	3.3fcd	2.3fcd	1.7fcd	1.3fcd	1fcd	0.8fcd	0.7fcd	0.6fcd	0.5fcd	0.4fcd	0.4fcd	0.3fcd	0.3fcd	0.3fcd	0.2fcd	0.2fcd

The above information is for 3000K colour temperature, for specific module information please see LED spec located on our website

For information regarding other colour temperatures please use the following factors for lumen output and candelas:

2700K = 0.82

4000K = 1.11

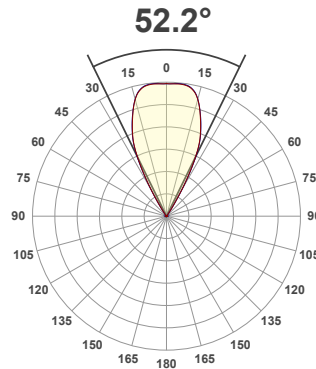
Light efficiency:



Light quality:



Color temperature:



Product name:

Line 2LED Cube, 3000K, 48°, 700mA

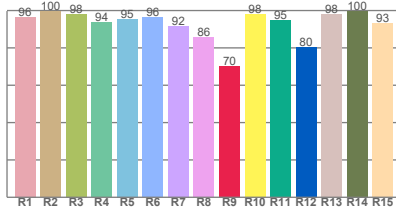
Item number:

2602-CB-30-48-700mA

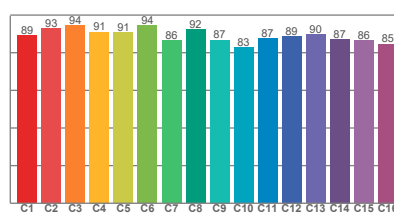
Delivered information for above fixture and LED combination.

Output: 328 Lumen Peak intensity: 522 cd Power consumption: 5.2

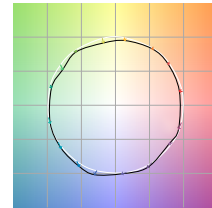
CRI R values



TM30 C Values

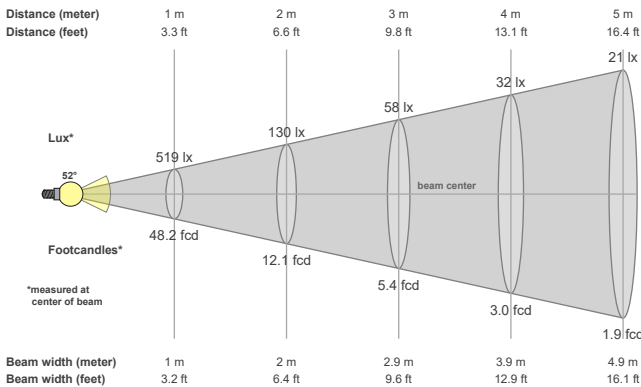


Color vector graphics



Color temperature	Color rendering index	Red component	Color fidelity	Color gamut	Color quality scale	Color coordinate cie 1931	Color coordinate cie 1931	Color coordinate	Color coordinate	Color deviation from black body
CCT	CRI	CRI R9	TM30 Rf	TM30 Rg	CQS	x	y	u	v	Δuv
3000 K	94.6	70.4	89.3	97.0	92.0	0.437	0.404	0.247	0.345	-0.0011

Beam details



Beam angles

Beam angle 50%	Field angle 10%	Cutoff angle 2,5%
52.2°	65.2°	72.1°

Beam intensities

Peak intensity	Int. ratio in 120° cone	Int. ratio in 90° cone
522 cd	99.8%	99.6%

Beam intensities from 1-20m

1m	2m	3m	4m	5m	6m	7m	8m	9m	10m	11m	12m	13m	14m	15m	16m	17m	18m	19m	20m
3.3ft	6.6ft	9.8ft	13.1ft	16.4ft	19.7ft	23ft	26.2ft	29.5ft	32.8ft	36.1ft	39.4ft	42.7ft	45.9ft	49.2ft	52.5ft	55.8ft	59.1ft	62.3ft	65.6ft
519lx	130lx	58lx	32lx	21lx	14lx	11lx	8lx	6lx	5lx	4lx	4lx	3lx	3lx	2lx	2lx	2lx	2lx	1lx	1lx
48.2fcd	12.1fcd	5.4fcd	3fcd	1.9fcd	1.3fcd	1fcd	0.8fcd	0.6fcd	0.5fcd	0.4fcd	0.3fcd	0.3fcd	0.2fcd	0.2fcd	0.2fcd	0.2fcd	0.1fcd	0.1fcd	0.1fcd

The above information is for 3000K colour temperature, for specific module information please see LED spec located on our website

For information regarding other colour temperatures please use the following factors for lumen output and candelas:

2700K = 0.82

4000K = 1.11