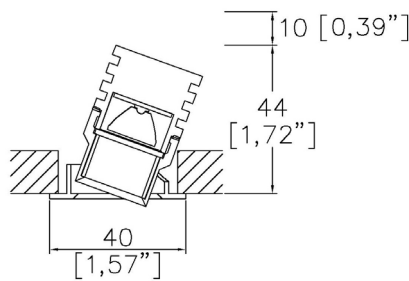


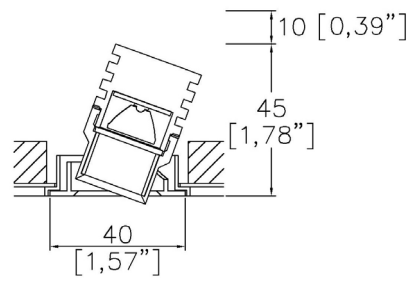
# ProSpex Micro40 Focus Accent



40mm (1.57") overall diameter. Fully recessed Micro40 downlight for interior installation. Up to 20° tilt. Family of matching products also available. Required depth height + 10mm^



043-FA-TR  
Cut-out 36mm Ø



043-FA-TL  
Cut-out 37mm Ø

LED Source	LED	LED	LED	LED
CCT	3000K	3000K	3000K	3000K
Drive Current	700mA	700mA	700mA	700mA
Power inc Driver	2.6W	2.6W	2.6W	2.6W
Beam Angle	15°	25°	30°	18°x 33°
Delivered Lumens	159	177	170	146
Delivered Intensisty cd	1456	1196	877	709
Efficacy lm/w	61	68	65	56
Forward Volt	3V	3V	3V	3V
CRI	≥90 CRI	≥90 CRI	≥90 CRI	≥90 CRI

Project Ref: \_\_\_\_\_

Location Ref: \_\_\_\_\_

Fixture Order Code: **043-FA** - [ ] - [ ] - [ ] - [ ] - [ ]

Fixture  
043-FA      Micro40 Focus Accent

Installation  
TR      Trim  
TL      Trimless

CCT  
27      90 CRI 2700K  
30      90 CRI 3000K  
40      90 CRI 4000K

Finish  
WH      White  
BK      Black

Beam  
15      15°  
25      25°  
30      30°  
18x33    18° x 33°

Protocol  
S      Non-Dim  
A      Analogue (0-10v)  
P      Phase  
D      DALI  
B      Bluetooth\*\*



Please refer to installation instruction for wiring diagram

## Technical Details

\*Custom RAL code must be specified. Custom RAL colours can increase prices and lead times

Dimming. Whilst Lucent can offer the majority of its luminaires with various dimming options, it remains the responsibility of the specifier/installer to check and ensure compatibility of any control equipment used. Additional cabling may be required depending on the dimming protocol specified.

\*\*Bluetooth (wireless) is the communication method. The exact dimming protocol must be confirmed to allow the selection of suitable drivers or bluetooth devices.

^ Depth indicated is the minimum recess depth for the luminaire with a remote mounted LED driver. Installing a driver through either the luminaire cut-out or installation kit may require additional recess depth, please refer to the relevant luminaire installation instructions for further details. Data correct at time of publishing

First Fix Requirement. Luminaire comprised of fixture body with ceiling trim and installation kit, which is to be fitted into the ceiling once finished. Ensure correct alignment of the installation kit before final assembly (see luminaire installation instructions for details)

IP Rating. Tested from underside of the ceiling

It is the policy of Lucent Lighting to continually review and improve its products and therefore reserve the right to change any details of product or withdraw specifications without prior notice.

Luminaires designed to comply with EN60598 and all other standards.

This specification sheet supersedes all previous versions.

All intellectual property rights pertaining to the product described above and to this document are owned by or licensed to Lucent Lighting Ltd.

We reserve the right to take whatever action is necessary to protect those intellectual property rights.

Please notify Lucent Lighting Ltd of any inaccuracies immediately. E&OE

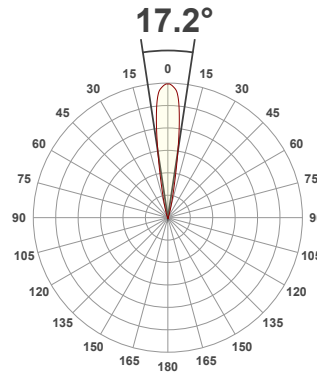
**Light efficiency:**



**Light quality:**



**Color temperature:**



**Product name:**

**Micro40 Focus Fixed-Accent, 3000K, 15°, 700mA**

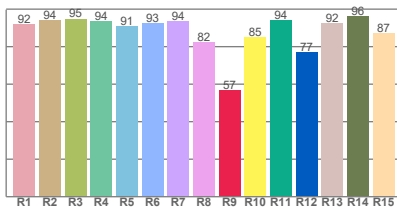
**Item number:**

**040/043-FF/FA-30-15-700mA**

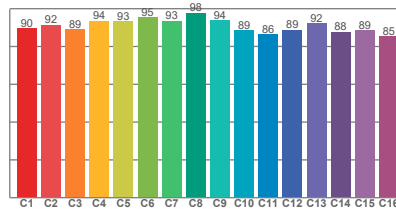
**Delivered information for above fixture and LED combination.**

**Output: 159 Lumen    Peak intensity: 1456 cd    Power consumption: 2.6**

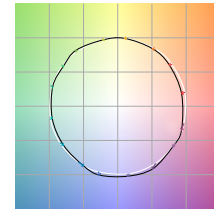
**CRI R values**



**TM30 C Values**

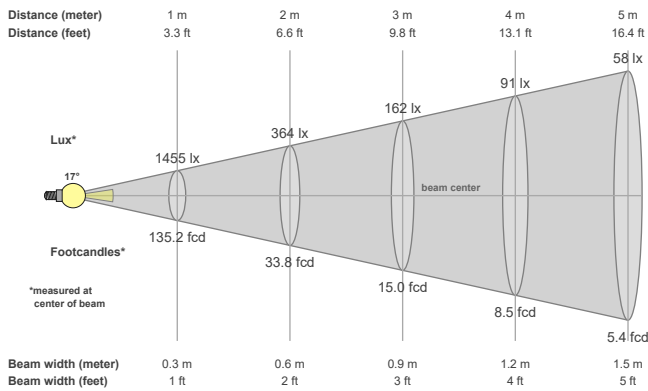


**Color vector graphics**



Color temperature	Color rendering index	Red component	Color fidelity	Color gamut	Color quality scale	Color coordinate cie 1931	Color coordinate cie 1931	Color coordinate	Color coordinate	Color deviation from black body
CCT	CRI	CRI R9	TM30 Rf	TM30 Rg	CQS	x	y	u	v	Δuv
3000 K	91.8	56.9	90.9	99.0	90.8	0.437	0.404	0.249	0.350	0.0025

**Beam details**



**Beam angles**

Beam angle 50%	Field angle 10%	Cutoff angle 2,5%
17.2°	29.7°	45°

**Beam intensities**

Peak intensity	Int. ratio in 120° cone	Int. ratio in 90° cone
1456 cd	99.5%	98.9%

**Beam intensities from 1-20m**

1m	2m	3m	4m	5m	6m	7m	8m	9m	10m	11m	12m	13m	14m	15m	16m	17m	18m	19m	20m
3.3ft	6.6ft	9.8ft	13.1ft	16.4ft	19.7ft	23ft	26.2ft	29.5ft	32.8ft	36.1ft	39.4ft	42.7ft	45.9ft	49.2ft	52.5ft	55.8ft	59.1ft	62.3ft	65.6ft
1455lx	364lx	162lx	91lx	58lx	40lx	30lx	23lx	18lx	15lx	12lx	10lx	9lx	7lx	6lx	6lx	5lx	4lx	4lx	4lx
135.2fcd	33.8fcd	15fcd	8.5fcd	5.4fcd	3.8fcd	2.8fcd	2.1fcd	1.7fcd	1.4fcd	1.1fcd	0.9fcd	0.8fcd	0.7fcd	0.6fcd	0.5fcd	0.5fcd	0.4fcd	0.4fcd	0.3fcd

The above information is for 3000K colour temperature, for specific module information please see LED spec located on our website

For information regarding other colour temperatures please use the following factors for lumen output and candelas:

2700K = 0.82  
4000K = 1.11

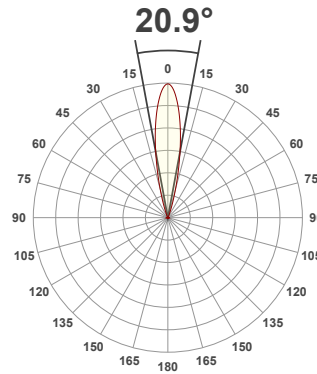
**Light efficiency:**



**Light quality:**



**Color temperature:**



**Product name:**

**Micro40 Focus Fixed-Accent, 3000K, 25°, 700mA**

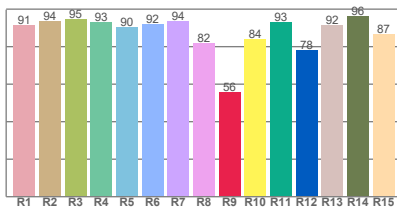
**Item number:**

**040/043-FF/FA-30-25-700mA**

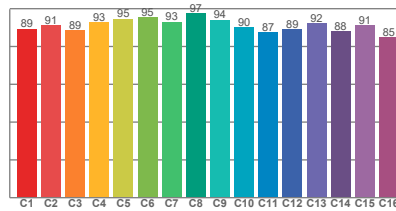
**Delivered information for above fixture and LED combination.**

**Output: 177 Lumen Peak intensity: 1196 cd Power consumption: 2.6**

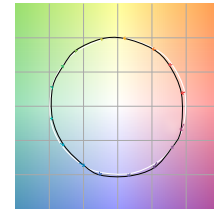
**CRI R values**



**TM30 C Values**

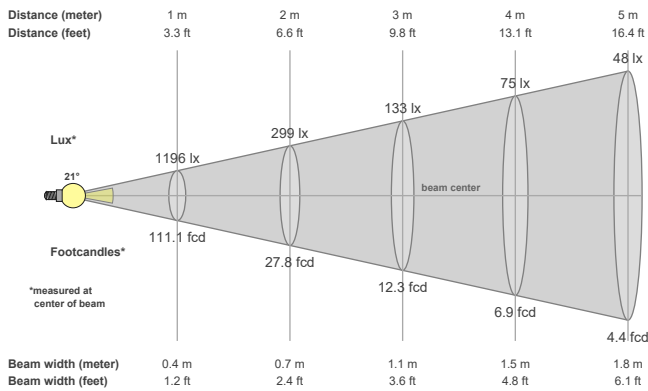


**Color vector graphics**



Color temperature	Color rendering index	Red component	Color fidelity	Color gamut	Color quality scale	Color coordinate cie 1931	Color coordinate cie 1931	Color coordinate	Color coordinate	Color deviation from black body
CCT	CRI	CRI R9	TM30 Rf	TM30 Rg	CQS	x	y	u	v	Δuv
3000 K	91.3	55.8	91.0	98.9	90.4	0.437	0.404	0.253	0.352	0.0029

**Beam details**



**Beam angels**

Beam angle 50%	Field angle 10%	Cutoff angle 2,5%
20.9°	36.5°	46.8°

**Beam intensities**

Peak intensity	Int. ratio in 120° cone	Int. ratio in 90° cone
1196 cd	98.8%	98.5%

**Beam intensities from 1-20m**

1m	2m	3m	4m	5m	6m	7m	8m	9m	10m	11m	12m	13m	14m	15m	16m	17m	18m	19m	20m
3.3ft	6.6ft	9.8ft	13.1ft	16.4ft	19.7ft	23ft	26.2ft	29.5ft	32.8ft	36.1ft	39.4ft	42.7ft	45.9ft	49.2ft	52.5ft	55.8ft	59.1ft	62.3ft	65.6ft
1196lx	299lx	133lx	75lx	48lx	33lx	24lx	19lx	15lx	12lx	10lx	8lx	7lx	6lx	5lx	5lx	4lx	4lx	3lx	3lx
111.1fcd	27.8fcd	12.3fcd	6.9fcd	4.4fcd	3.1fcd	2.3fcd	1.7fcd	1.4fcd	1.1fcd	0.9fcd	0.8fcd	0.7fcd	0.6fcd	0.5fcd	0.4fcd	0.4fcd	0.3fcd	0.3fcd	0.3fcd

The above information is for 3000K colour temperature, for specific module information please see LED spec located on our website

For information regarding other colour temperatures please use the following factors for lumen output and candelas:

2700K = 0.82  
4000K = 1.11

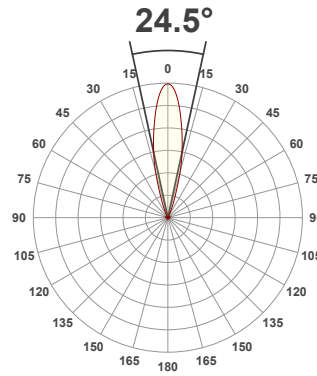
**Light efficiency:**



**Light quality:**



**Color temperature:**



**Product name:**

**Micro40 Focus Fixed-Accent, 3000K, 30°, 700mA**

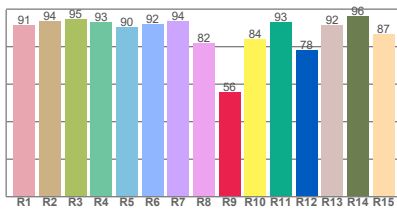
**Item number:**

**040/043-FF/FA-30-30-700mA**

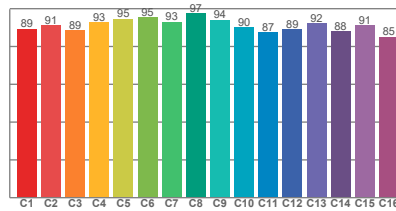
**Delivered information for above fixture and LED combination.**

**Output: 170 Lumen Peak intensity: 877 cd Power consumption: 2.6**

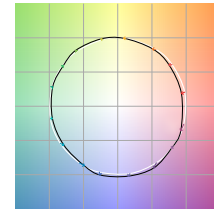
**CRI R values**



**TM30 C Values**

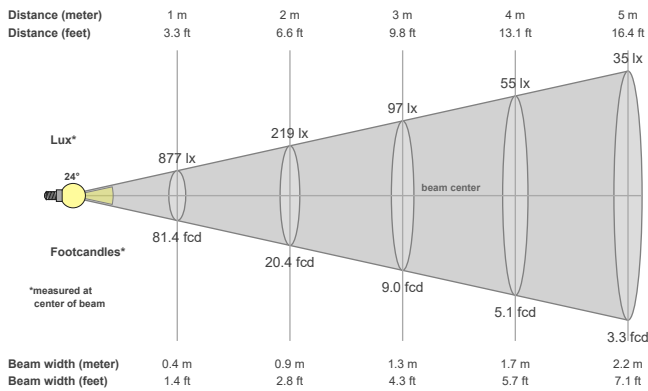


**Color vector graphics**



Color temperature	Color rendering index	Red component	Color fidelity	Color gamut	Color quality scale	Color coordinate cie 1931	Color coordinate cie 1931	Color coordinate	Color coordinate	Color deviation from black body
CCT	CRI	CRI R9	TM30 Rf	TM30 Rg	CQS	x	y	u	v	Δuv
3000 K	91.3	55.8	91.0	98.9	90.5	0.437	0.404	0.252	0.351	0.0029

**Beam details**



**Beam angels**

Beam angle 50%	Field angle 10%	Cutoff angle 2,5%
24.5°	42.4°	52.2°

**Beam intensities**

Peak intensity	Int. ratio in 120° cone	Int. ratio in 90° cone
877 cd	98.9%	98.5%

**Beam intensities from 1-20m**

1m	2m	3m	4m	5m	6m	7m	8m	9m	10m	11m	12m	13m	14m	15m	16m	17m	18m	19m	20m
3.3ft	6.6ft	9.8ft	13.1ft	16.4ft	19.7ft	23ft	26.2ft	29.5ft	32.8ft	36.1ft	39.4ft	42.7ft	45.9ft	49.2ft	52.5ft	55.8ft	59.1ft	62.3ft	65.6ft
877lx	219lx	97lx	55lx	35lx	24lx	18lx	14lx	11lx	9lx	7lx	6lx	5lx	4lx	4lx	3lx	3lx	3lx	2lx	2lx
81.4fcd	20.4fcd	9fcd	5.1fcd	3.3fcd	2.3fcd	1.7fcd	1.3fcd	1fcd	0.8fcd	0.7fcd	0.6fcd	0.5fcd	0.4fcd	0.4fcd	0.3fcd	0.3fcd	0.3fcd	0.2fcd	0.2fcd

The above information is for 3000K colour temperature, for specific module information please see LED spec located on our website

For information regarding other colour temperatures please use the following factors for lumen output and candelas:

2700K = 0.82  
4000K = 1.11

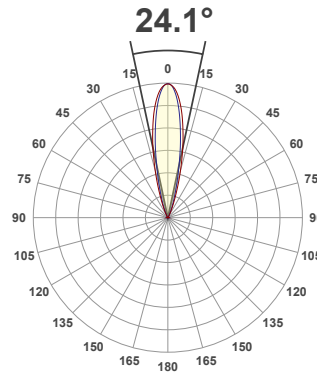
**Light efficiency:**



**Light quality:**



**Color temperature:**



**Product name:**

**Micro40 Focus Fixed-Accent, 3000K, 18°x33°, 700mA**

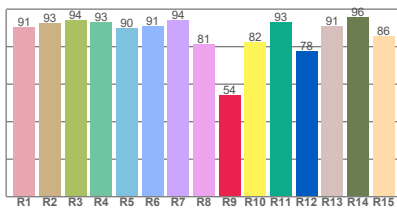
**Item number:**

**040/043-FF/FA-30-30-700mA**

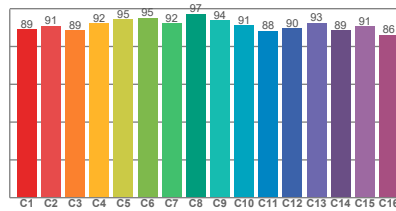
**Delivered information for above fixture and LED combination.**

**Output: 146 Lumen    Peak intensity: 709 cd    Power consumption: 2.6**

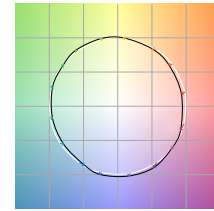
**CRI R values**



**TM30 C Values**

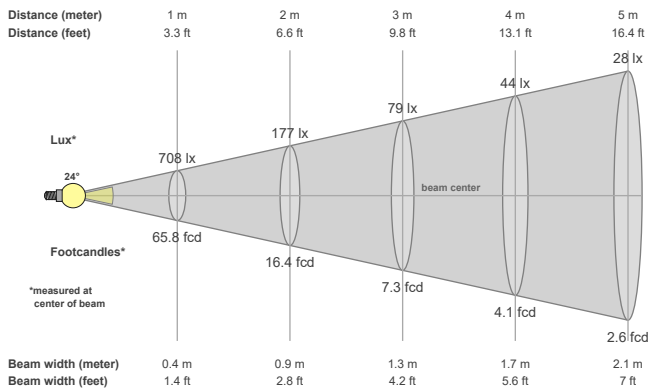


**Color vector graphics**



Color temperature	Color rendering index	Red component	Color fidelity	Color gamut	Color quality scale	Color coordinate cie 1931	Color coordinate cie 1931	Color coordinate	Color coordinate	Color deviation from black body
CCT	CRI	CRI R9	TM30 Rf	TM30 Rg	CQS	x	y	u	v	Δuv
3000 K	90.8	54.1	91.2	98.6	90.1	0.437	0.404	0.252	0.352	0.0039

**Beam details**



**Beam angles**

Beam angle 50%	Field angle 10%	Cutoff angle 2,5%
24.1°	43.4°	54.9°

**Beam intensities**

Peak intensity	Int. ratio in 120° cone	Int. ratio in 90° cone
709 cd	99.8%	99.4%

**Beam intensities from 1-20m**

1m	2m	3m	4m	5m	6m	7m	8m	9m	10m	11m	12m	13m	14m	15m	16m	17m	18m	19m	20m
3.3ft	6.6ft	9.8ft	13.1ft	16.4ft	19.7ft	23ft	26.2ft	29.5ft	32.8ft	36.1ft	39.4ft	42.7ft	45.9ft	49.2ft	52.5ft	55.8ft	59.1ft	62.3ft	65.6ft
708lx	177lx	79lx	44lx	28lx	20lx	14lx	11lx	9lx	7lx	6lx	5lx	4lx	4lx	3lx	3lx	2lx	2lx	2lx	2lx
65.8fcd	16.4fcd	7.3fcd	4.1fcd	2.6fcd	1.8fcd	1.3fcd	1fcd	0.8fcd	0.7fcd	0.5fcd	0.5fcd	0.4fcd	0.3fcd	0.3fcd	0.3fcd	0.2fcd	0.2fcd	0.2fcd	0.2fcd

The above information is for 3000K colour temperature, for specific module information please see LED spec located on our website

For information regarding other colour temperatures please use the following factors for lumen output and candelas:

2700K = 0.82  
4000K = 1.11