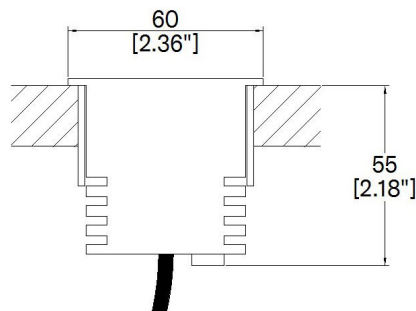


## ProSpex InGround60



60mm (2.36") overall diameter. Fully recessed InGround uplight for interior and exterior installation. IP66 and IP67 rated fixtures. Family of matching products also available. Required depth depending on installation method<sup>^</sup>



IG60

LED Source	LED	LED	LED	LED
CCT	3000K	3000K	3000K	3000K
Drive Current	700mA	700mA	700mA	700mA
Power inc Driver	4.75W	4.75W	4.75W	4.75W
Beam Angle	15°	25°	30°	10°x 45°
Delivered Lumens	275	286	286	276
Delivered Intensity cd	1806	745	732	1517
Efficacy lm/w	58	60	60	58
Forward Volt	11.5V	11.5V	11.5V	11.5V
CRI	≥90 CRI	≥90 CRI	≥90 CRI	≥90 CRI
Ingress Protection	IP66/67	IP66/67	IP66/67	IP66/67
Impact Protection	IK08	IK08	IK08	IK08

Project Ref: \_\_\_\_\_

Location Ref: \_\_\_\_\_

Fixture Order Code:  -  -  -  -

Fixture IG60	InGround60
CCT 27 30 40	90 CRI 2700K 90 CRI 3000K 90 CRI 4000K
Finish BSS PSS BRZ ABZ ASV ABK	Brushed Stainless Steel Polished Stainless Steel Flamed Bronze Antique Bronze Hard Anodised Matt Silver Hard Anodised Matt Black
Beam 15 25 30 10x45	15° 25° 30° 10° x 45°
Protocol S A P D B	Non-Dim Analogue (0-10v) Phase DALI Bluetooth**

Please refer to installation instruction for wiring diagram

## Installation Methods:

### IG60-SPRING

For installation in hollow walls and ceilings  
Cut out: 53mmØ

### IG60-SGTUBE

Soft Ground Mounting Tube:

For installation in outdoor soft ground locations

### IG60-TUBE

Indoor Tube:

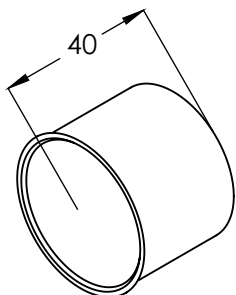
For installation in indoor floor or wall locations  
Cut out: 53mm Ø

### IG60-CB\*

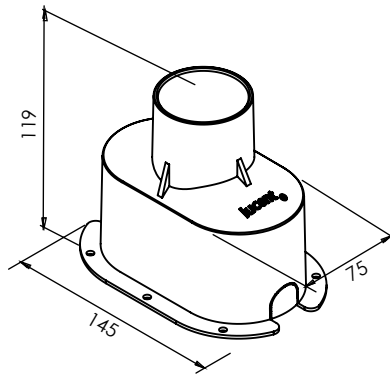
Concrete pour box:

For installation in concrete floor

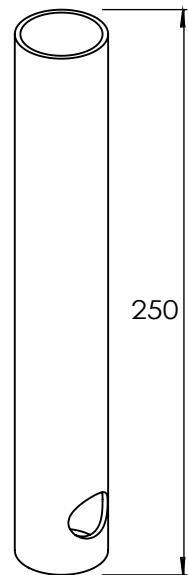
\*Driver to be remote



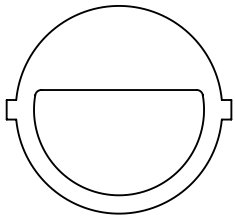
**IG60-TUBE**



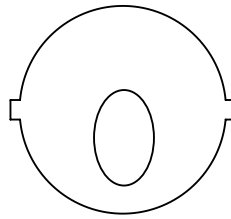
**IG60-CB**



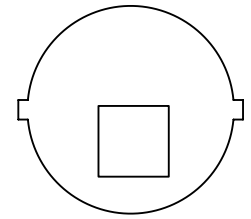
**IG60-SGTUBE**



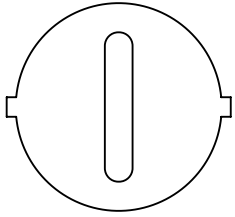
IG60-IN-LD



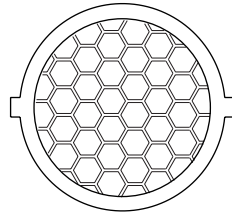
IG60-IN-EL



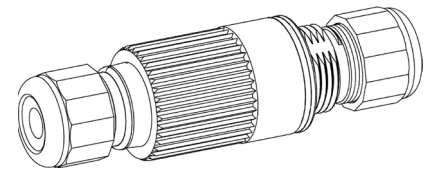
IG60-IN-SQ



IG60-IN-SL



IG60-IN-HC



TH381

Accessories Order Code:

Accessories

- IG60-IN-LD Glare Shield
- IG60-IN-EL Elliptical Beam Effect
- IG60-IN-SQ Square Beam Effect
- IG60-IN-SL Narrow Slot Effect
- IG60-IN-HC Honeycomb Louver
- TH381 IP68 Connector

All Lucent InGround products are supplied as standard with pre-wired 1.5m lead

Technical Details

\*Custom RAL code must be specified. Custom RAL colours can increase prices and lead times

Dimming. Whilst Lucent can offer the majority of its luminaires with various dimming options, it remains the responsibility of the specifier/installer to check and ensure compatibility of any control equipment used. Additional cabling may be required depending on the dimming protocol specified.

\*\*Bluetooth (wireless) is the communication method. The exact dimming protocol must be confirmed to allow the selection of suitable drivers or bluetooth devices.

^ Depth indicated is the minimum recess depth for the luminaire with a remote mounted LED driver. Installing a driver through either the luminaire cut-out or installation kit may require additional recess depth, please refer to the relevant luminaire installation instructions for further details. Data correct at time of publishing

First Fix Requirement. Luminaire comprised of fixture body with ceiling trim and installation kit, which is to be fitted into the ceiling once finished. Ensure correct alignment of the installation kit before final assembly (see luminaire installation instructions for details)

IP Rating. Tested from underside of the ceiling

It is the policy of Lucent Lighting to continually review and improve its products and therefore reserve the right to change any details of product or withdraw specifications without prior notice.

Luminaires designed to comply with EN60598 and all other standards.

This specification sheet supersedes all previous versions.

All intellectual property rights pertaining to the product described above and to this document are owned by or licensed to Lucent Lighting Ltd.

We reserve the right to take whatever action is necessary to protect those intellectual property rights.

Please notify Lucent Lighting Ltd of any inaccuracies immediately. E&OE

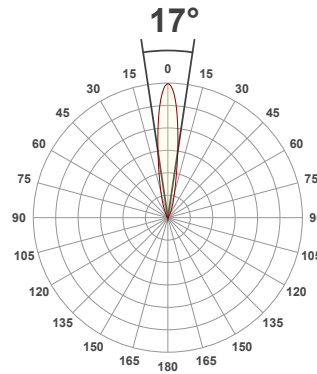
**Light efficiency:**



**Light quality:**



**Color temperature:**



**Product name:**

**InGround 60, 3000K, 15°, 350mA**

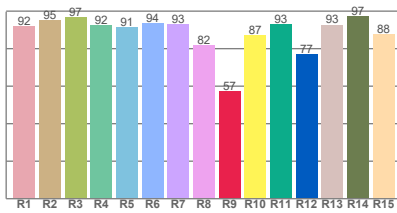
**Item number:**

**IG60-30-15-350mA**

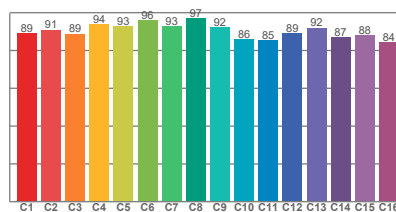
**Delivered information for above fixture and LED combination.**

**Output: 275 Lumen    Peak intensity: 1806 cd    Power consumption: 4.7**

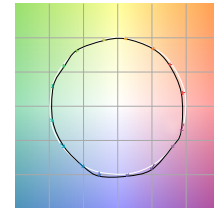
**CRI R values**



**TM30 C Values**

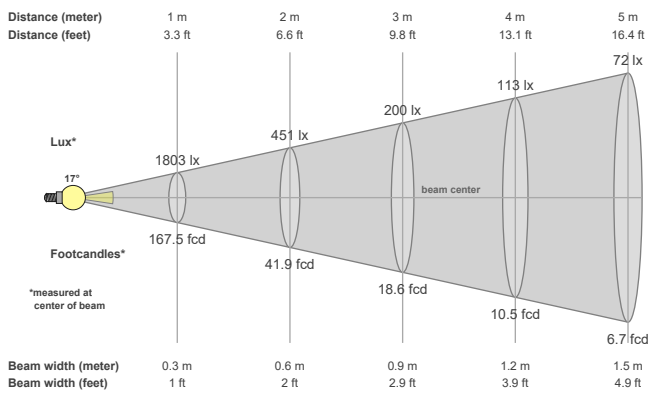


**Color vector graphics**



Color temperature	Color rendering index	Red component	Color fidelity	Color gamut	Color quality scale	Color coordinate cie 1931	Color coordinate cie 1931	Color coordinate	Color coordinate	Color deviation from black body
CCT	CRI	CRI R9	TM30 Rf	TM30 Rg	CQS	x	y	u	v	Δuv
3000 K	92.0	57.2	90.3	98.8	90.6	0.437	0.404	0.247	0.347	0.0011

**Beam details**



**Beam angels**

Beam angle 50%	Field angle 10%	Cutoff angle 2,5%
17°	40.5°	60°

**Beam intensities**

Peak intensity	Int. ratio in 120° cone	Int. ratio in 90° cone
1806 cd	99.1%	98.4%

**Beam intensities from 1-20m**

1m	2m	3m	4m	5m	6m	7m	8m	9m	10m	11m	12m	13m	14m	15m	16m	17m	18m	19m	20m
3.3ft	6.6ft	9.8ft	13.1ft	16.4ft	19.7ft	23ft	26.2ft	29.5ft	32.8ft	36.1ft	39.4ft	42.7ft	45.9ft	49.2ft	52.5ft	55.8ft	59.1ft	62.3ft	65.6ft
1803lx	451lx	200lx	113lx	72lx	50lx	37lx	28lx	22lx	18lx	15lx	13lx	11lx	9lx	8lx	7lx	6lx	6lx	5lx	5lx
167.5fcd	41.9fcd	18.6fcd	10.5fcd	6.7fcd	4.7fcd	3.4fcd	2.6fcd	2.1fcd	1.7fcd	1.4fcd	1.2fcd	1fcd	0.9fcd	0.7fcd	0.7fcd	0.6fcd	0.5fcd	0.5fcd	0.4fcd

The above information is for 3000K colour temperature, for specific module information please see LED spec located on our website

For information regarding other colour temperatures please use the following factors for lumen output and candelas:

2700K = 0.82  
4000K = 1.11

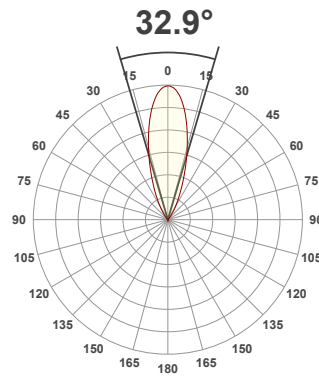
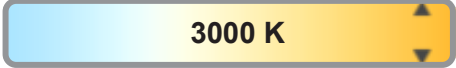
**Light efficiency:**



**Light quality:**



**Color temperature:**



**Product name:**

**InGround 60, 3000K, 25°, 350mA**

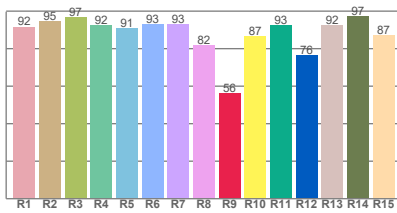
**Item number:**

**IG60-30-25-350mA**

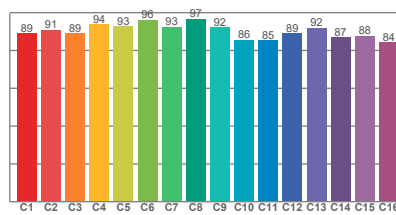
**Delivered information for above fixture and LED combination.**

**Output: 286 Lumen    Peak intensity: 745 cd    Power consumption: 4.7**

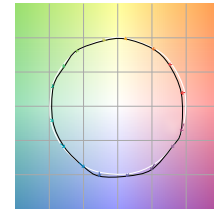
**CRI R values**



**TM30 C Values**

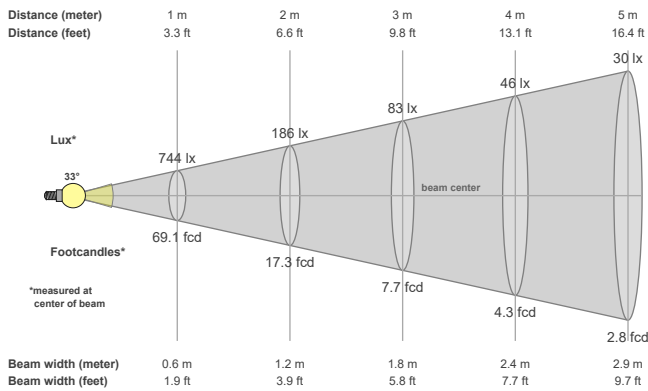


**Color vector graphics**



Color temperature	Color rendering index	Red component	Color fidelity	Color gamut	Color quality scale	Color coordinate cie 1931	Color coordinate cie 1931	Color coordinate	Color coordinate	Color deviation from black body
CCT	CRI	CRI R9	TM30 Rf	TM30 Rg	CQS	x	y	u	v	Δuv
3000 K	91.8	56.3	90.2	98.5	90.5	0.437	0.404	0.247	0.348	0.0016

**Beam details**



**Beam angles**

Beam angle 50%	Field angle 10%	Cutoff angle 2,5%
32.9°	62.5°	77.8°

**Beam intensities**

Peak intensity	Int. ratio in 120° cone	Int. ratio in 90° cone
745 cd	99.2%	98.4%

**Beam intensities from 1-20m**

1m	2m	3m	4m	5m	6m	7m	8m	9m	10m	11m	12m	13m	14m	15m	16m	17m	18m	19m	20m
3.3ft	6.6ft	9.8ft	13.1ft	16.4ft	19.7ft	23ft	26.2ft	29.5ft	32.8ft	36.1ft	39.4ft	42.7ft	45.9ft	49.2ft	52.5ft	55.8ft	59.1ft	62.3ft	65.6ft
744lx	186lx	83lx	46lx	30lx	21lx	15lx	12lx	9lx	7lx	6lx	5lx	4lx	4lx	3lx	3lx	3lx	2lx	2lx	2lx
69.1fcd	17.3fcd	7.7fcd	4.3fcd	2.8fcd	1.9fcd	1.4fcd	1.1fcd	0.9fcd	0.7fcd	0.6fcd	0.5fcd	0.4fcd	0.4fcd	0.3fcd	0.3fcd	0.2fcd	0.2fcd	0.2fcd	0.2fcd

The above information is for 3000K colour temperature, for specific module information please see LED spec located on our website

For information regarding other colour temperatures please use the following factors for lumen output and candelas:

2700K = 0.82  
4000K = 1.11

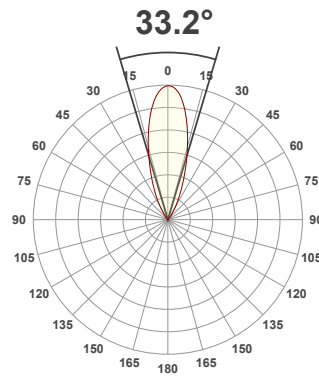
**Light efficiency:**



**Light quality:**



**Color temperature:**



**Product name:**

**InGround 60, 3000K, 30°, 350mA**

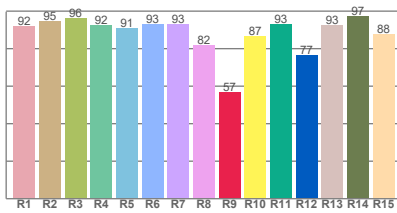
**Item number:**

**IG60-30-30-350mA**

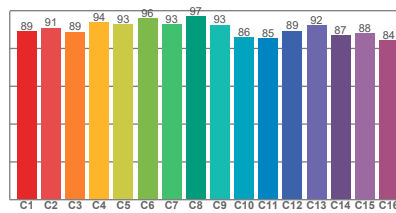
**Delivered information for above fixture and LED combination.**

**Output: 286 Lumen Peak intensity: 732 cd Power consumption: 4.7**

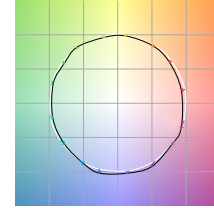
**CRI R values**



**TM30 C Values**

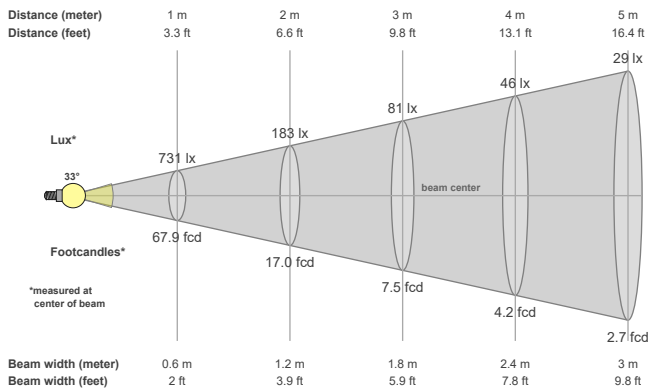


**Color vector graphics**



Color temperature	Color rendering index	Red component	Color fidelity	Color gamut	Color quality scale	Color coordinate cie 1931	Color coordinate cie 1931	Color coordinate	Color coordinate	Color deviation from black body
CCT	CRI	CRI R9	TM30 Rf	TM30 Rg	CQS	x	y	u	v	Δuv
3000 K	91.8	56.8	90.3	98.8	90.6	0.437	0.404	0.247	0.348	0.0015

**Beam details**



**Beam angels**

Beam angle 50%	Field angle 10%	Cutoff angle 2,5%
33.2°	62.7°	77.8°

**Beam intensities**

Peak intensity	Int. ratio in 120° cone	Int. ratio in 90° cone
732 cd	98.9%	98.0%

**Beam intensities from 1-20m**

1m	2m	3m	4m	5m	6m	7m	8m	9m	10m	11m	12m	13m	14m	15m	16m	17m	18m	19m	20m
3.3ft	6.6ft	9.8ft	13.1ft	16.4ft	19.7ft	23ft	26.2ft	29.5ft	32.8ft	36.1ft	39.4ft	42.7ft	45.9ft	49.2ft	52.5ft	55.8ft	59.1ft	62.3ft	65.6ft
731lx	183lx	81lx	46lx	29lx	20lx	15lx	11lx	9lx	7lx	6lx	5lx	4lx	4lx	3lx	3lx	3lx	2lx	2lx	2lx
67.9fcd	17fcd	7.5fcd	4.2fcd	2.7fcd	1.9fcd	1.4fcd	1.1fcd	0.8fcd	0.7fcd	0.6fcd	0.5fcd	0.4fcd	0.3fcd	0.3fcd	0.3fcd	0.2fcd	0.2fcd	0.2fcd	0.2fcd

The above information is for 3000K colour temperature, for specific module information please see LED spec located on our website

For information regarding other colour temperatures please use the following factors for lumen output and candelas:

2700K = 0.82  
4000K = 1.11

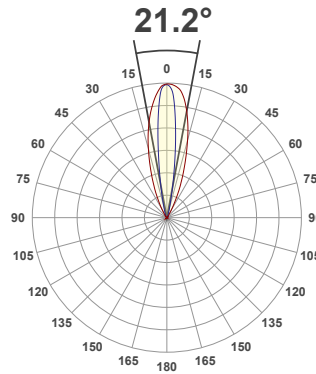
**Light efficiency:**



**Light quality:**



**Color temperature:**



**Product name:**

**InGround 60, 3000K, 10°x45°, 350mA**

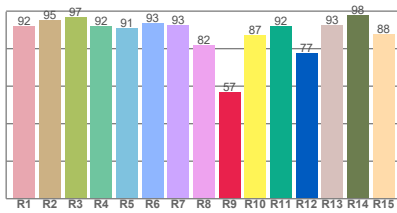
**Item number:**

**IG60-30-10x45-350mA**

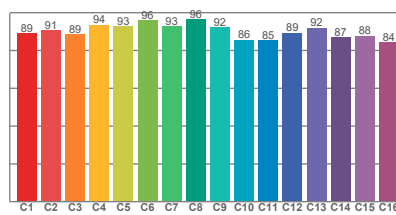
**Delivered information for above fixture and LED combination.**

**Output: 276 Lumen Peak intensity: 1517 cd Power consumption: 4.7**

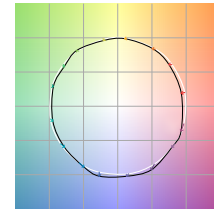
**CRI R values**



**TM30 C Values**

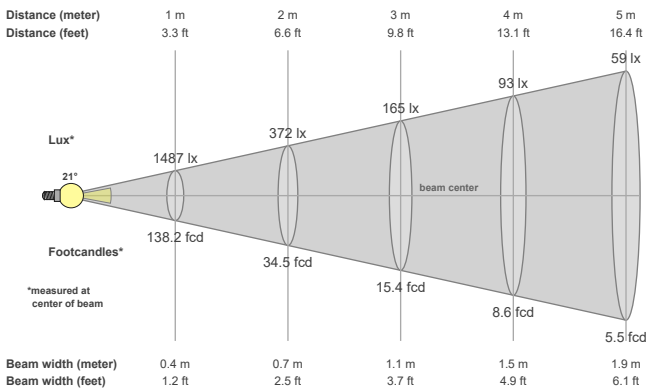


**Color vector graphics**



Color temperature	Color rendering index	Red component	Color fidelity	Color gamut	Color quality scale	Color coordinate cie 1931	Color coordinate cie 1931	Color coordinate	Color coordinate	Color deviation from black body
CCT	CRI	CRI R9	TM30 Rf	TM30 Rg	CQS	x	y	u	v	Δuv
3000 K	91.8	56.7	90.2	98.7	90.4	0.437	0.404	0.247	0.347	0.0010

**Beam details**



**Beam angels**

Beam angle 50%	Field angle 10%	Cutoff angle 2,5%
21.2°	39.4°	56.9°

**Beam intensities**

Peak intensity	Int. ratio in 120° cone	Int. ratio in 90° cone
1517 cd	100.0%	98.9%

**Beam intensities from 1-20m**

1m	2m	3m	4m	5m	6m	7m	8m	9m	10m	11m	12m	13m	14m	15m	16m	17m	18m	19m	20m
3.3ft	6.6ft	9.8ft	13.1ft	16.4ft	19.7ft	23ft	26.2ft	29.5ft	32.8ft	36.1ft	39.4ft	42.7ft	45.9ft	49.2ft	52.5ft	55.8ft	59.1ft	62.3ft	65.6ft
1487lx	372lx	165lx	93lx	59lx	41lx	30lx	23lx	18lx	15lx	12lx	10lx	9lx	8lx	7lx	6lx	5lx	5lx	4lx	4lx
138.2fcd	34.5fcd	15.4fcd	8.6fcd	5.5fcd	3.8fcd	2.8fcd	2.2fcd	1.7fcd	1.4fcd	1.1fcd	1fcd	0.8fcd	0.7fcd	0.6fcd	0.5fcd	0.5fcd	0.4fcd	0.4fcd	0.3fcd

The above information is for 3000K colour temperature, for specific module information please see LED spec located on our website

For information regarding other colour temperatures please use the following factors for lumen output and candelas:

2700K = 0.82  
4000K = 1.11