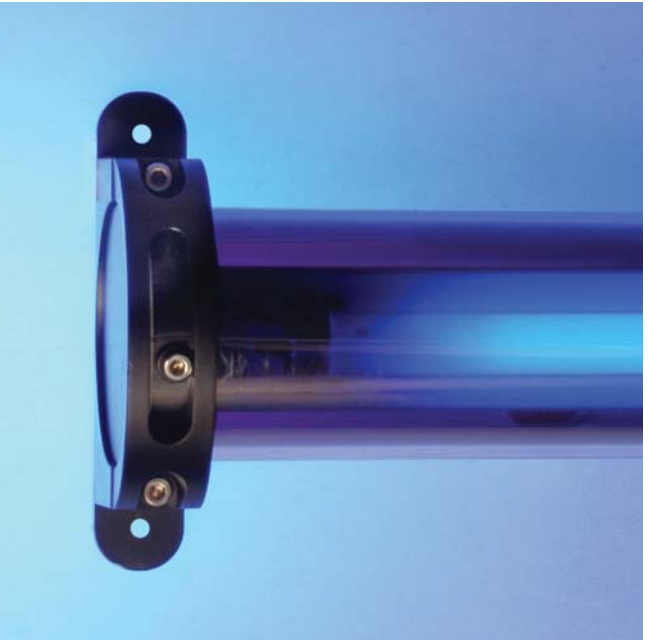


Tube Light

Linear tube lighting system IP65



RADIANT

Tube Light

Linear lighting tube system IP65

The Radiant Tube Light system has been developed for use in a wide variety of interior and exterior lighting applications where an enclosed linear line of light is required.

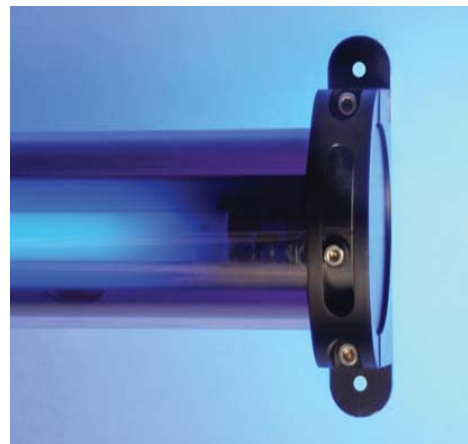
The system is available for both fluorescent T5 and PLC lamps in a range of Wattages and also in LED versions including RGBW. An E27 base version is suitable for use with low wattage decorative incandescent lamps - below 20 Watts - as well as self ballasted CFL lamps below 11 Watts.

Line voltage ballasts and LED drivers are located within the luminaire, located behind the reflector. Remote driver versions are also available for PLL lamps and double sided LED arrays.

The outer extruded UV resistant polycarbonate tube is available in both clear and frosted finishes. Colour gels can be supplied to fit with the fluorescent lamps for decorative applications.

A surface mount bracket is available as well as a pendant suspension kit and custom mounting brackets.

The surface mounting brackets allows limited rotation around the major axis to allow wall grazing and washing effects to be achieved.



E27 version for self ballasted CFL lamps up to 11 Watts and incandescent lamps up to 20 Watts.

Clear or frosted extruded polycarbonate tube.

Surface mounting brackets available in black, clear and white polycarbonate.



Double ended T5 fluorescent versions

Four sizes from 600 mm up to 1,500 mm

HE or HO lamps. Integrated line voltage ballast.

Clear or frosted extruded polycarbonate tube.

Surface mounting brackets available in black, clear and white polycarbonate.



Single ended PLL fluorescent version surface mount

Four sizes from 240 mm to 550 mm

Clear or frosted extruded polycarbonate tube.

Integrated line voltage ballast.

Surface mounting brackets available in black, clear and white polycarbonate.



Single ended PLL fluorescent version pendant

Four sizes from 240 mm to 550 mm

Clear or frosted extruded polycarbonate tube.

Remote line voltage ballast.

Pendant kits with a variety of mounting brackets.



Multi LED version

0.3 Watt LED arrays no lenses for uplighting and wide beam general lighting applications.

5 or 10 mm LED pitch.

Integral line voltage dimmable driver

Clear or frosted extruded polycarbonate tube.

Surface mounting brackets available in black, clear and white polycarbonate.



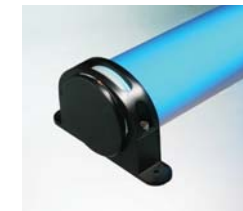
LED projector version

1.2 Watt LED arrays with lenses for wall grazing or horizontal pendant applications. 25 or 50 mm LED pitch.

Integral line voltage dimmable driver

Clear extruded polycarbonate tube.

Surface mounting brackets available in black, clear and white polycarbonate.



LED RGB or RGBW diffuse version

Low power multi chip LED arrays to give smooth colour changing diffused effect.

Single sided or twin sided LED boards for surface mount or pendant use.

Frosted extruded polycarbonate tube.

Surface mounting brackets available in black, clear and white polycarbonate.



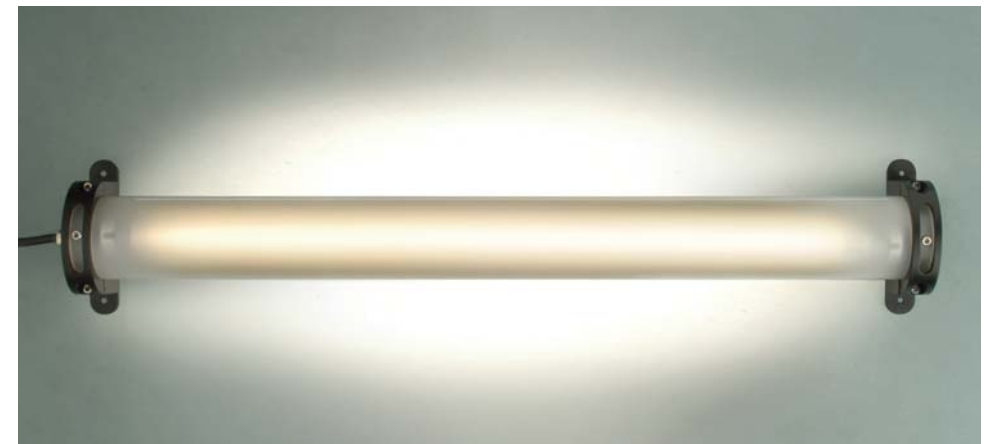
LED RGB or RGBW clear version

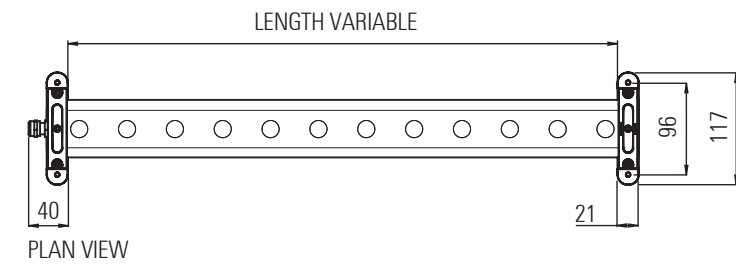
Low power multi chip LED arrays to give smooth colour changing diffused effect.

Single sided or twin sided LED boards for surface mount or pendant use.

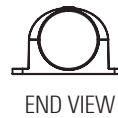
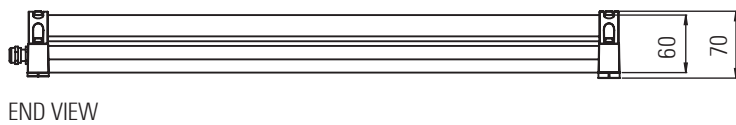
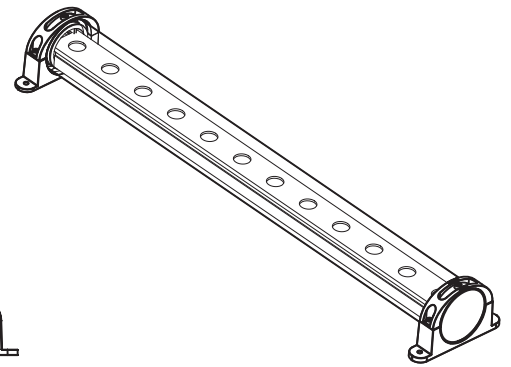
Frosted extruded polycarbonate tube.

Surface mounting brackets available in black, clear and white polycarbonate.

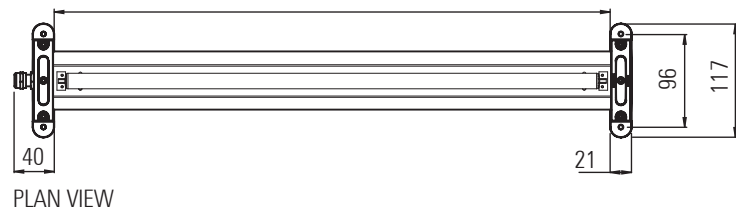




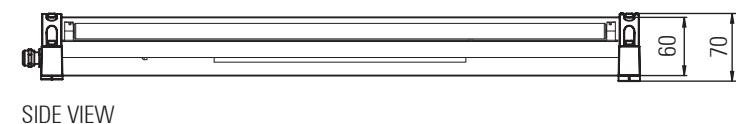
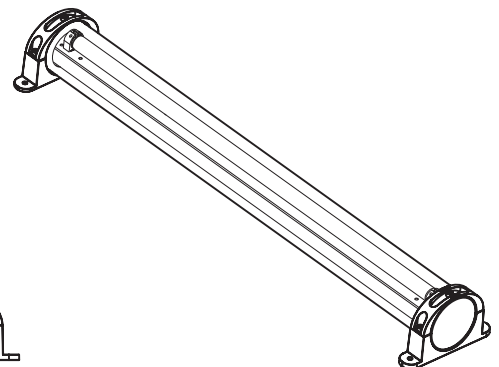
LED version



T5 14 watt: 577mm. 21 watt: 877mm. 28 watt: 1177mm. 35 watt: 1477mm.



T5 Fluorescent version



Create an order-code by selecting one option from each column in the table below.
eg. TUBE LIGHT E27 . IP65 . 160mm . Warm White . CRI 80 . E . Pendant . End . Clear . Black .

Product Code	IP	LED Spacing	Length (mm)	Colour Temp. (K)	CRI	Optics	Bracket Type	Feed	Cover	Finish
TUBE LIGHT E27	65	N.A.	160 (for E27)		80	E W M N	Direct fixing Pendant	End	Clear Diffuse	Black Clear - light surface texture White Any RAL colour
TUBE LIGHT T5		N.A.								
TUBE LIGHT PLL		N.A.	600, 900, 1,200, 1,500						sky blue royal blue purple lavender pink red orange green yellow candlelight	
TUBE LIGHT LED		25 or 50mm		Warm white Cool white						
TUBE LIGHT multi LED		5 or 10mm	(for other versions)	RGB RGBW						
TUBE LIGHT LED RGB		10 or 20mm		Dynamic - white						



Radiant Architectural Lighting
10 Broadbent Close
20 - 22 Highgate High Street
London N6 5JW
ENGLAND UK

T: + 44 (0) 20 8348 9003
F: + 44 (0) 20 8348 6478
E: david@radiantlights.co.uk
www.radiantlights.co.uk

Products and literature designed by
DAVID MORGAN ASSOCIATES
July 2015