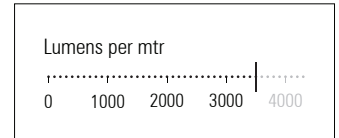
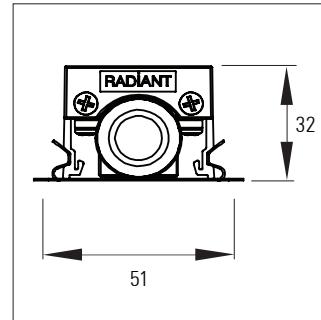
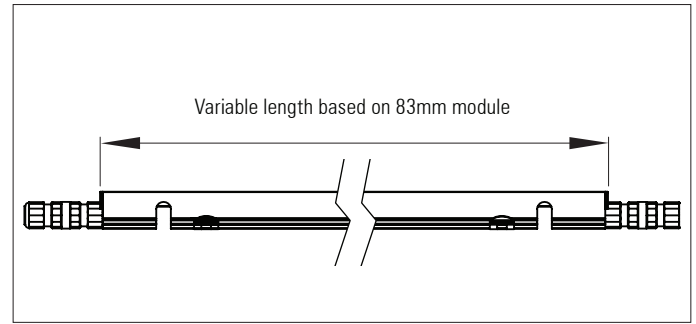
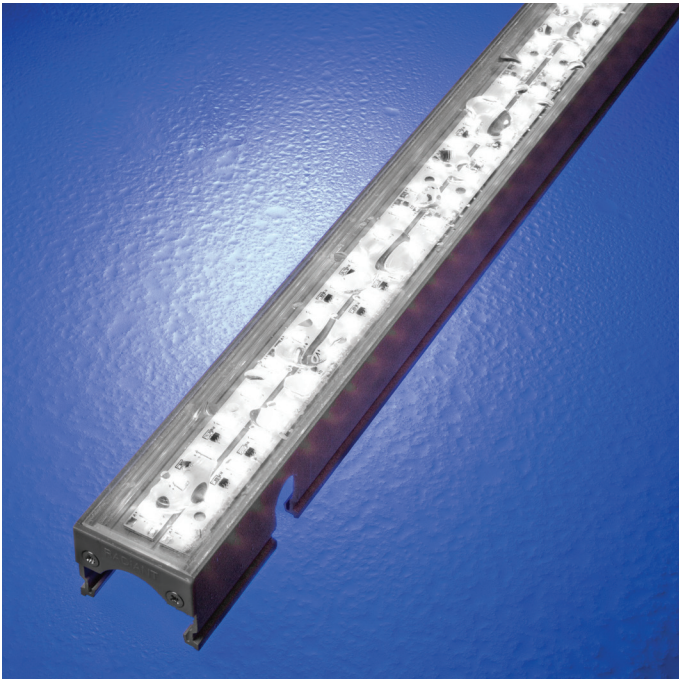


Euclid 40 IP 65

LED linear lighting system IP 65



Euclid 40 system

IP 65 rated LED linear lighting system

Product description:

Exterior cove lighting applications

Integral DC to DC low voltage drivers. Remote 24 V DC power supply

0.3 Watt Samsung / Osram LEDs, without lenses

Up to 50 Watts per Mtr

Various LED colour temperature and CRI options available

Anodized or any RAL paint colour finish

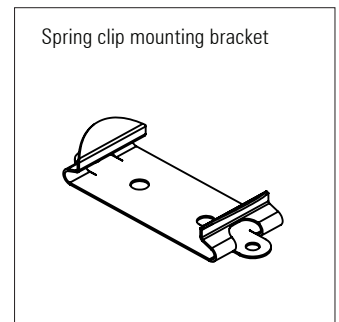
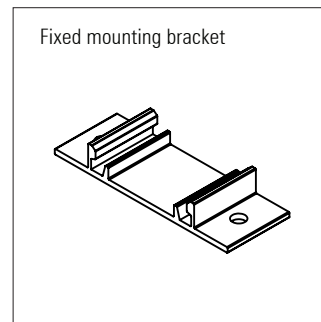
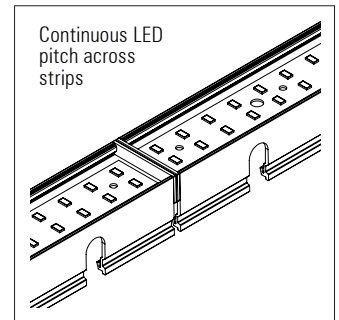
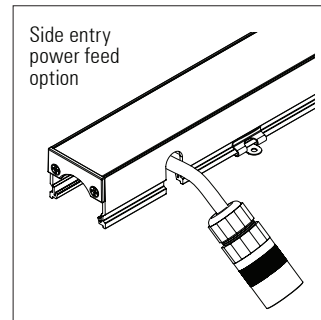
Radiant can supply this system in custom lengths based on a 83 mm module. Minimum length 170mm up to a maximum of 2.5 mtrs

Various mounting options and bracket types are available

16 Amp IP67 connectors join strips together on-site

Various dimming options available: 1 - 10, DALI, DMX. Separate dimming channel

Side, back and end power feed options allow continuous lighting without dark areas - LED pitch is maintained between the individual luminaires



Product Code	IP	No. of LEDs per mtr.	Length (mm)	Colour Temp. (K)	CRI	Optics	Bracket Type	Cover	Feed	Finish
EUCLID 40 IP65	65	144=25mm LED spacing	170mm -increments of 83mm up to- 2,500mm	27=2,700k 30=3,000k 35=3,500k 40=4,000k 45=4,500k 50=5,000k RGB RGBW RGBA	80 90	120°	Spring clip Fixed	Clear Frosted	End Back	Anodized Any RAL-colour