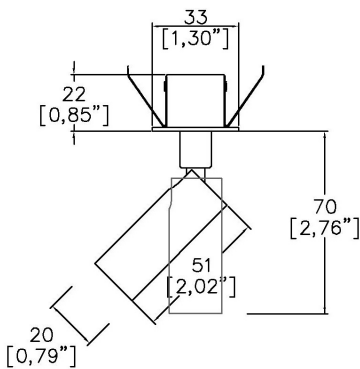


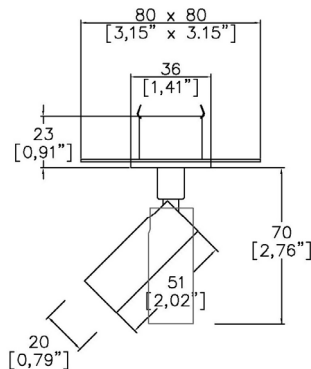
ProSpex TubeLED Nano



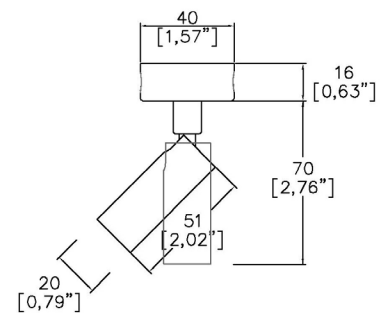
20mm (0.79") overall diameter. Miniature low voltage LED tubular spotlight. Available with monopoint mounting or magnetic track adaptor. Family of matching products also available.



1100-LED-RMP



1100-LED-TMP



1100-LED-SMP

LED Source	LED	LED	LED
CCT	3000K	3000K	3000K
Drive Current [^]	700mA	700mA	700mA
Power inc Driver	2.6W	2.6W	2.6W
Beam Angle	15°	25°	30°
Delivered Lumens	150	165	146
Delivered Intensisty cd	1368	783	505
Efficacy lm/w	58	65	57
Forward Volt	3V	3V	3V
CRI	≥90 CRI	≥90 CRI	≥90 CRI

Project Ref: _____

Location Ref: _____

Fixture Order Code: **1100-LED** - [] - [] - [] - [] - []

Fixture
1100-LED

TubeLED Nano

CCT
927
930

90 CRI 2700K
90 CRI 3000K

Beam
15
25
30

15°
25°
30°

Protocol
S
A
D
B

Non-Dim
Analogue (0-10v)
DALI
Bluetooth**

Finish
WH
BK
RAL

White
Black
Custom RAL Finish

Fixing
RMP
TMP
SMP

Recessed Monopoint
Trimless Monopoint
Surface Monopoint

Please refer to installation instruction for wiring diagram

Technical Details

*Custom RAL code must be specified. Custom RAL colours can increase prices and lead times

Dimming. Whilst Lucent can offer the majority of its luminaires with various dimming options, it remains the responsibility of the specifier/installer to check and ensure compatibility of any control equipment used. Additional cabling may be required depending on the dimming protocol specified.

**Bluetooth (wireless) is the communication method. The exact dimming protocol must be confirmed to allow the selection of suitable drivers or bluetooth devices.

^When using the fixture with a monopoint option, a remote mounted constant current driver is required. Please note the driver cannot be installed through the cut-out or installation kit. Maximum distance and cable size determined by the exact driver type supplied.

First Fix Requirement. Please refer to installation instructions for for first fix requirements for the monopoint types.

IP Rating. Tested from underside of the ceiling

It is the policy of Lucent Lighting to continually review and improve its products and therefore reserve the right to change any details of product or withdraw specifications without prior notice.

Luminaires designed to comply with EN60598 and all other standards.

This specification sheet superseded all previous versions.

All intellectual property rights pertaining to the product described above and to this document are owned by or licensed to Lucent Lighting Ltd.

We reserve the right to take whatever action is necessary to protect those intellectual property rights.

Please notify Lucent Lighting Ltd of any inaccuracies immediately. E&OE

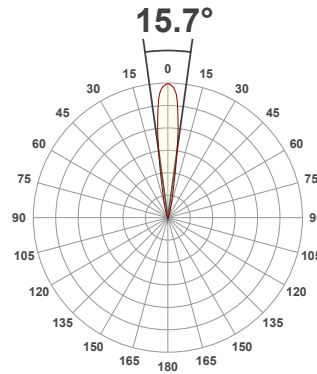
Light efficiency:



Light quality:



Color temperature:



Product name:

TubeLED Nano, 3000K, 15°, 700mA

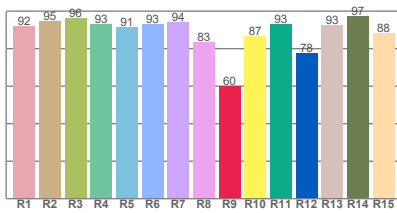
Item number:

1100-LED-930-15-700mA

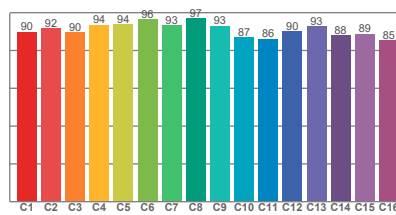
Delivered information for above fixture and LED combination.

Output: 150 Lumen Peak intensity: 1368 cd Power consumption: 2.6

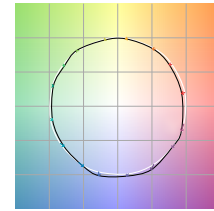
CRI R values



TM30 C Values

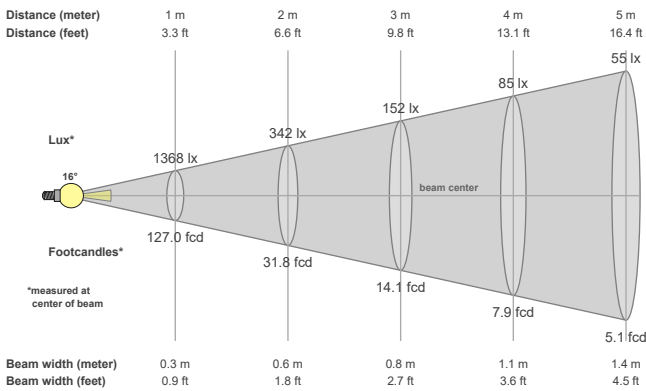


Color vector graphics



Color temperature	Color rendering index	Red component	Color fidelity	Color gamut	Color quality scale	Color coordinate cie 1931	Color coordinate cie 1931	Color coordinate	Color coordinate	Color deviation from black body
CCT	CRI	CRI R9	TM30 Rf	TM30 Rg	CQS	x	y	u	v	Δuv
3000 K	92.2	59.9	91.0	98.8	91.2	0.437	0.404	0.245	0.347	0.0018

Beam details



Beam angels

Beam angle 50%	Field angle 10%	Cutoff angle 2,5%
15.7°	28.9°	49°

Beam intensities

Peak intensity	Int. ratio in 120° cone	Int. ratio in 90° cone
1368 cd	98.8%	96.2%

Beam intensities from 1-20m

1m	2m	3m	4m	5m	6m	7m	8m	9m	10m	11m	12m	13m	14m	15m	16m	17m	18m	19m	20m
3.3ft	6.6ft	9.8ft	13.1ft	16.4ft	19.7ft	23ft	26.2ft	29.5ft	32.8ft	36.1ft	39.4ft	42.7ft	45.9ft	49.2ft	52.5ft	55.8ft	59.1ft	62.3ft	65.6ft
1368lx	342lx	152lx	85lx	55lx	38lx	28lx	21lx	17lx	14lx	11lx	9lx	8lx	7lx	6lx	5lx	5lx	4lx	4lx	3lx
127fcd	31.8fcd	14.1fcd	7.9fcd	5.1fcd	3.5fcd	2.6fcd	2fcd	1.6fcd	1.3fcd	1fcd	0.9fcd	0.8fcd	0.6fcd	0.6fcd	0.5fcd	0.4fcd	0.4fcd	0.4fcd	0.3fcd

The above information is for 3000K colour temperature, for specific module information please see LED spec located on our website

For information regarding other colour temperatures please use the following factors for lumen output and candelas:

2700K = 0.82
4000K = 1.11

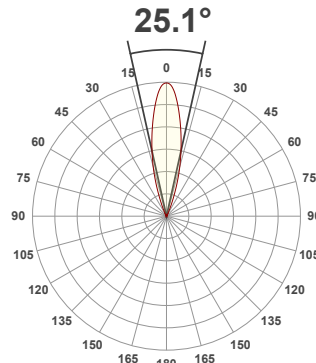
Light efficiency:



Light quality:



Color temperature:



Product name:

TubeLED Nano, 3000K, 25°, 700mA

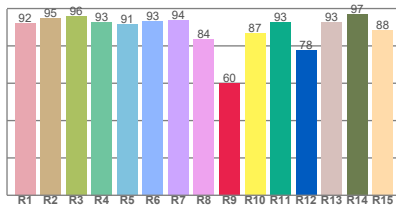
Item number:

1100-LED-930-25-700mA

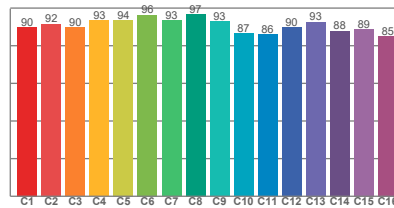
Delivered information for above fixture and LED combination.

Output: 165 Lumen Peak intensity: 783 cd Power consumption: 2.6

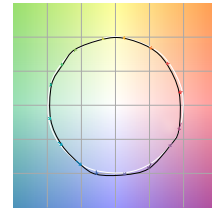
CRI R values



TM30 C Values

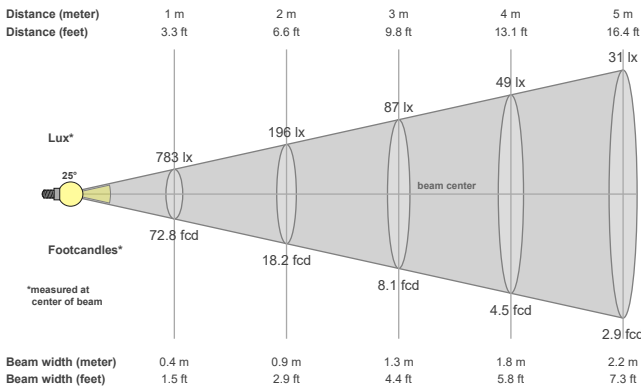


Color vector graphics



Color temperature	Color rendering index	Red component	Color fidelity	Color gamut	Color quality scale	Color coordinate cie 1931	Color coordinate cie 1931	Color coordinate	Color coordinate	Color deviation from black body
CCT	CRI	CRI R9	TM30 Rf	TM30 Rg	CQS	x	y	u	v	Δuv
3000 K	92.2	60.1	90.9	98.8	91.1	0.437	0.404	0.244	0.347	0.0016

Beam details



Beam angles

Beam angle 50%	Field angle 10%	Cutoff angle 2,5%
25.1°	44.4°	54.8°

Beam intensities

Peak intensity	Int. ratio in 120° cone	Int. ratio in 90° cone
783 cd	99.3%	99.0%

Beam intensities from 1-20m

1m	2m	3m	4m	5m	6m	7m	8m	9m	10m	11m	12m	13m	14m	15m	16m	17m	18m	19m	20m
3.3ft	6.6ft	9.8ft	13.1ft	16.4ft	19.7ft	23ft	26.2ft	29.5ft	32.8ft	36.1ft	39.4ft	42.7ft	45.9ft	49.2ft	52.5ft	55.8ft	59.1ft	62.3ft	65.6ft
783lx	196lx	87lx	49lx	31lx	22lx	16lx	12lx	10lx	8lx	6lx	5lx	5lx	4lx	3lx	3lx	3lx	2lx	2lx	2lx
72.8fcd	18.2fcd	8.1fcd	4.5fcd	2.9fcd	2fcd	1.5fcd	1.1fcd	0.9fcd	0.7fcd	0.6fcd	0.5fcd	0.4fcd	0.4fcd	0.3fcd	0.3fcd	0.3fcd	0.2fcd	0.2fcd	0.2fcd

The above information is for 3000K colour temperature, for specific module information please see LED spec located on our website

For information regarding other colour temperatures please use the following factors for lumen output and candelas:

2700K = 0.82
4000K = 1.11

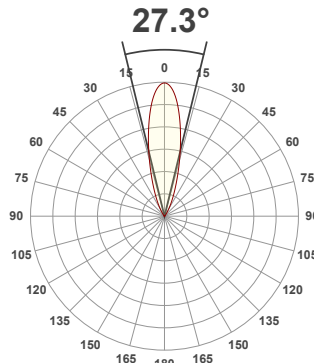
Light efficiency:



Light quality:



Color temperature:



Product name:

TubeLED Nano, 3000K, 30°, 700mA

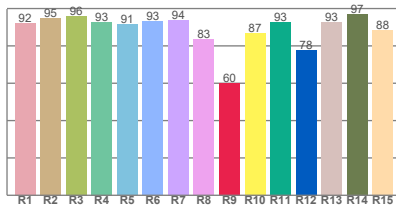
Item number:

1100-LED-930-30-700mA

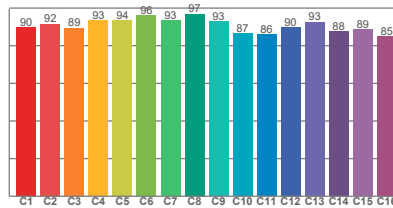
Delivered information for above fixture and LED combination.

Output: 146 Lumen Peak intensity: 505 cd Power consumption: 2.6

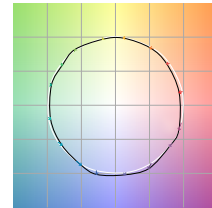
CRI R values



TM30 C Values

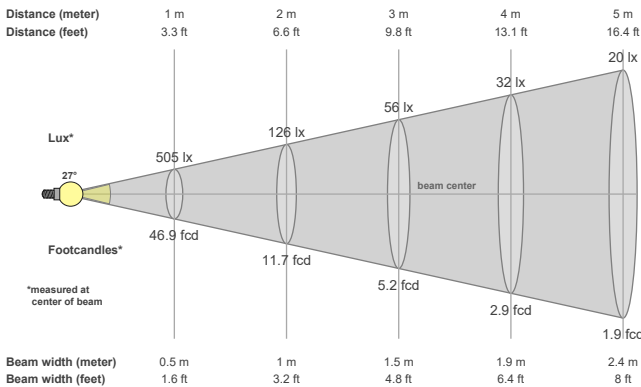


Color vector graphics



Color temperature	Color rendering index	Red component	Color fidelity	Color gamut	Color quality scale	Color coordinate cie 1931	Color coordinate cie 1931	Color coordinate	Color coordinate	Color deviation from black body
CCT	CRI	CRI R9	TM30 Rf	TM30 Rg	CQS	x	y	u	v	Δuv
3000 K	92.2	60.1	90.8	98.9	91.1	0.437	0.404	0.245	0.347	0.0015

Beam details



Beam angles

Beam angle 50%	Field angle 10%	Cutoff angle 2,5%
27.3°	54.6°	72.2°

Beam intensities

Peak intensity	Int. ratio in 120° cone	Int. ratio in 90° cone
505 cd	99.3%	98.8%

Beam intensities from 1-20m

1m	2m	3m	4m	5m	6m	7m	8m	9m	10m	11m	12m	13m	14m	15m	16m	17m	18m	19m	20m
3.3ft	6.6ft	9.8ft	13.1ft	16.4ft	19.7ft	23ft	26.2ft	29.5ft	32.8ft	36.1ft	39.4ft	42.7ft	45.9ft	49.2ft	52.5ft	55.8ft	59.1ft	62.3ft	65.6ft
505lx	126lx	56lx	32lx	20lx	14lx	10lx	8lx	6lx	5lx	4lx	4lx	3lx	3lx	2lx	2lx	2lx	2lx	1lx	1lx
46.9fcd	11.7fcd	5.2fcd	2.9fcd	1.9fcd	1.3fcd	1fcd	0.7fcd	0.6fcd	0.5fcd	0.4fcd	0.3fcd	0.3fcd	0.2fcd	0.2fcd	0.2fcd	0.2fcd	0.1fcd	0.1fcd	0.1fcd

The above information is for 3000K colour temperature, for specific module information please see LED spec located on our website

For information regarding other colour temperatures please use the following factors for lumen output and candelas:

2700K = 0.82
4000K = 1.11