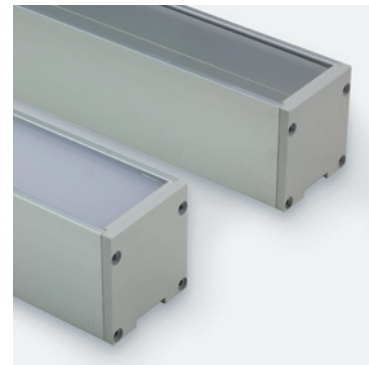


SUMO 504

Specification sheet



| | |
|-----------------------|---|
| Dimension | H53.2/W50/L520, 1020, 1520, 2020mm (H2.09/W1.97/L20.47, 40.16, 59.84, 79.53in) |
| PCB increment | 100mm increment/2000mm max (3.94in increment/78.74in max) |
| LED pitch | 16.7mm - 60LED/m (0.66in - 18LED/ft) |
| Chip | s/e-line Toyoda Gosei k-line Samsung |
| Beam angle | 75° (Clear Cover) / 105° (Diffused Cover) |
| Colours | n-line 2700K/3000K s/e-line 2100K/2300K/2500K/2700K/3000K/3200K/3500K/4000K/5000K s-line Single colours: Red/Green/Blue/Orange/Amber |
| Bin/Step | k-line 1900K/2100K/2300K/2500K/2700K/3000K/3500K/4000K/5000K s-line 2-step MacAdam ellipse n/e/k-line 3-step MacAdam ellipse |
| CRI | ≥ 90 |
| Lifetime | 50,000 hours @ 25°C (50,000 hours @ 77°F) |
| Operating temp | T _a = -25 to 60°C (T _c max = 65°C) T _a = -13 to 140°F (T _c max = 149°F) |
| IP rating | P54/IP67 |
| Finish | Silver anodised |
| Cover/lens | Clear/Diffused |
| Mounting | Surface mounting via brackets |
| Power feed | Sheathed hardwire tails (AC Input: 220-240V AC, DIM Input: 1-10V) |
| Control | Integral 1-10V/Switched |



LED Grading Key

Exclusive Grade

| | | |
|----------------|--|--------------------------|
| n-line* | Full visible spectrum NO UV or IR 380nm-780nm 3-step CCT range | *KKDC tuned CCT range |
| s-line* | 2-step CCT range | |
| e-line* | 3-step CCT range | |

Base Grade

| | |
|---------------|---|
| k-line | 3-step commercial range Energy Star CCTs |
|---------------|---|

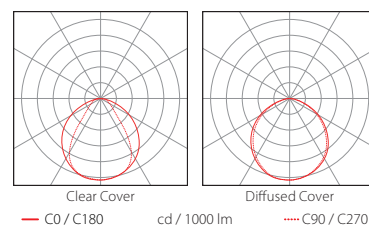
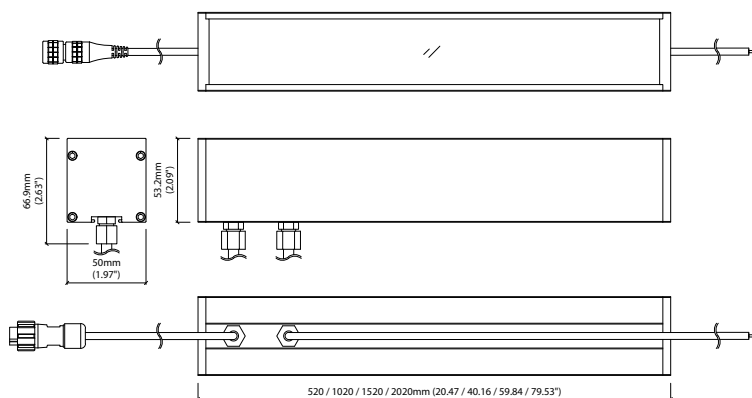
PERFORMANCE DATA @ 3000K

| Power consumption | Supply voltage | Supply current |
|-------------------|---------------------|--------------------|
| 30W/m (9.14lm/ft) | 220-240V AC 50/60Hz | 0.16A/m (0.05A/ft) |

Colour Rendering Index (CRI)

| | R1 | R2 | R3 | R4 | R5 | R6 | R7 | R8 | R9 | R10 | R11 | R12 | R13 | R14 |
|---------------|----|----|----|----|----|----|----|----|----|-----|-----|-----|-----|-----|
| k-line | 94 | 97 | 98 | 93 | 93 | 96 | 92 | 83 | 60 | 93 | 94 | 82 | 95 | 99 |

| | Clear Cover | | Diffused Cover | | CRI | R9 | Rf | Rg |
|-----------------|---------------------|----------|---------------------|----------|-----|----|----|----|
| s/e-line | 1880lm/m (570lm/ft) | 62.5lm/W | 1580lm/m (480lm/ft) | 52.8lm/W | 90 | 50 | - | - |
| k-line | 1630lm/m (490lm/ft) | 54.4lm/W | 1370lm/m (420lm/ft) | 45.5lm/W | 92 | 60 | - | - |



Data derived from independent UKAS / IESNA LM-79-08 accredited testing of production samples.

SUMO 504

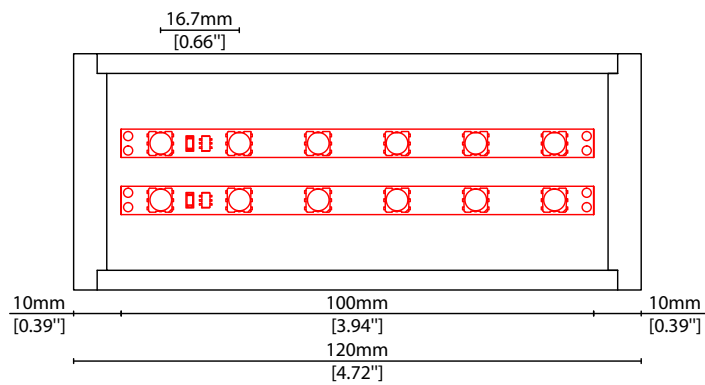
Length Availability List



| Length Code | | Fixture Length ¹ | | LED Strip | | End Cap Dimension ² | | Wattage (W) | Output (lm) | |
|-------------|--------------|-----------------------------|--------------|-----------|--------------|--------------------------------|--------------|-------------|-------------------|------------|
| Metric | Imperial(US) | Metric | Imperial(US) | Metric | Imperial(US) | Metric | Imperial(US) | | 3000K (Test Data) | Range Data |
| m0520 | i0020 | 520mm | 20.47in | 500mm | 19.69in | 20mm | 0.79in | 17.50 | 1094 | 637-1138 |
| m1020 | i0040 | 1020mm | 40.16in | 1000mm | 39.37in | 20mm | 0.79in | 35.00 | 2188 | 1274-2275 |
| m1520 | i0060 | 1520mm | 59.84in | 1500mm | 59.06in | 20mm | 0.79in | 52.50 | 3281 | 1911-3413 |
| m2020 | i0080 | 2020mm | 79.53in | 2000mm | 78.74in | 20mm | 0.79in | 70.00 | 4375 | 2548-4550 |

¹ Length of fixture including aluminium extrusion and end clamps

² Overall dimension including both end caps and internal wiring space



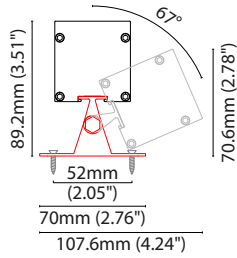
MOUNTING OPTIONS

Note: Accessories are to be ordered separately with corresponding code shown below.



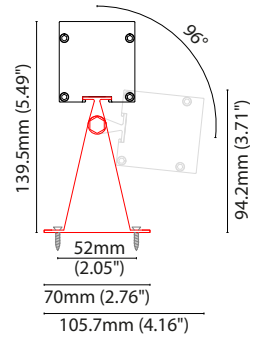
KKBK-16

Small adjustable bracket
(allow 2 per metre/40in)
Silver anodised aluminium finish



KKBK-17

Large adjustable bracket
(allow 2 per metre/40in)
Silver anodised aluminium finish



EXTERIOR JUNCTION BOXES



KKJB-07

IP67 Slim J-Box
(including type A,B,C,D bushings)



KKJB-07R

Potting resin for IP67 Slim J-Box