

GENERAL SPECIFICATION

Body and trim: Die-cast aluminum.

Finish: Powder coated, Aluminum Grey or Graphite Satin.

Lens: Tempered safety glass.

Gaskets: Heat resistant silicone.

External screws: 304 stainless steel.

Minimum Starting Temperature: -30°C.

Drivers for white LED: Integral, HPF electronic for 120-277V.

Mechanical: Mounts directly over a 2" x 3" electrical junction box (by others).

Delivered Lumens: Delivered lumens & LPW based on 3000K (min 80 CRI).

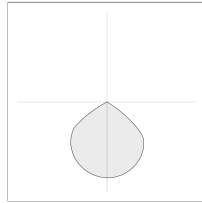
MOUNTING & OPTICS



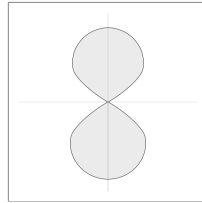
Ext-Wall Downlight



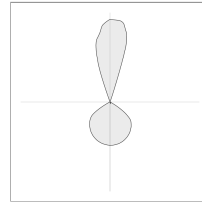
Ext-Wall Up/Down



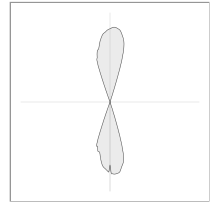
66 1030



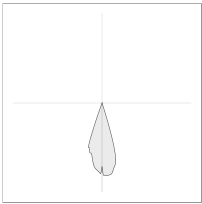
66 1040



66 1050



66 1060



66 1070

HOW TO ORDER

A SPECIFY LUMINAIRE

Code:	Power (LED):	Delivered lms:
66 1030	13W	670
66 1040	11W + 11W	630 + 630
66 1050	13W + 3W	666 + 18
66 1060	3W + 3W	24 + 24
66 1070	3W	24

B SPECIFY CCT

30	3000K (<i>min 80 CR</i>)
40	4000K (<i>min 80 CR</i>)

C SPECIFY FINISH

AL	Aluminum Gray
GS	Graphite Satin

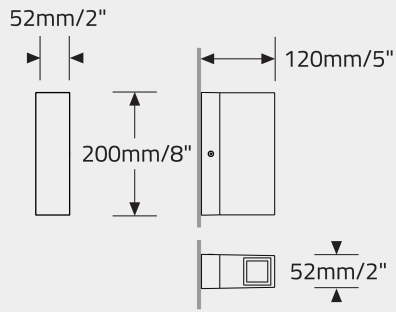
D SPECIFY DIMMING

DB	Dimming 13W and higher, 0-10V, 10%
----	------------------------------------

EXAMPLE CODE

661030/30/AL

DIMENSIONAL DIAGRAMS



APPROVALS

