

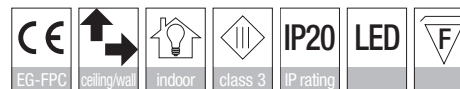
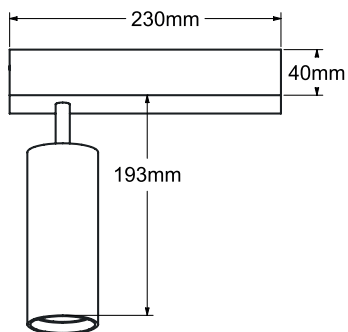


MINI TUBE X ON RECT



REF **A6171W** Mini Tube X ON Rect white
A6171B Mini Tube X ON Rect black

LED Xicato XIM
 LED LM OUTPUT 1.300 lm max.
 POWER CONS. according to lm output - see table p. 193
 COLOR TEMP. 2.700 / 3.000 / 4.000 K
 CRI 80 or +95
 COLOR QUAL. artist / beauty / vibrant / vibrant artist
 REFLECTOR 40° / 60° (16° only available in 1.300 lm)
 FINISH **white** RAL 9016 tex
 black RAL 9005 tex
 ADJUSTABLE 45° x 355°
 CUT-OUT n/a
 DRIVE VOLTAGE 230 Vac build in driver
 DIMMING 1-10 V (0-10 V) or Dali
 REMARK also available in XIM BLE version



MODEL	REFERENCE	LM OUTPUT	CRI / CCT	BEAM	DIMMING
MINI TUBE X ON RECT WHITE MINI TUBE X ON RECT BLACK	A6171W A6171B	700 lm	827 - 830 - 840 - V830	16°	A D
			927 - 930 - 940 - V930 - BT - F+		
	1.300 lm	827 - 830 - 840 - V830	16° / 40° / 60°		
		927 - 930 - 940 - V930 - BT - F+	40° / 60°		

ND: non dimmable / PD: phase dimming / A: 1-10V / D: Dali