



GENERAL SPECIFICATION

Body and trim: Steel and extruded aluminum. Trim claws, die cast alloy.

Finish: Back plate, powder coated gloss white. Side trim, brushed aluminum. Trim claws, as listed.

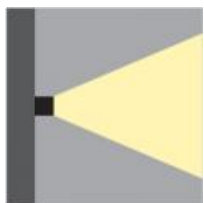
Diffuser: Opal acrylic.

Dust covers: Opal Polycarbonate.

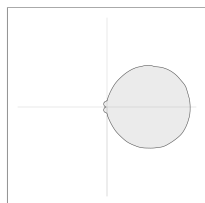
Drivers: HPF, electronic for 120-277V (EU-240V), 0-10V dimming (10%) standard.

Delivered Lumens: Delivered lumens & LPW based on 3000K (min 80 CRI).

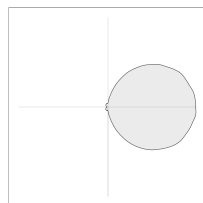
MOUNTING & OPTICS



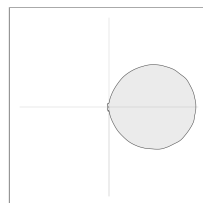
Wall



70 1110



70 1120



70 1130

HOW TO ORDER

A SPECIFY LUMINAIRE

Code:	Power (LED):	Delivered lms:	LPW:	Height (A):
70 1110	16W	1244	80	381mm/15"
70 1120	24W	1877	79	457mm/18"
70 1130	32W	2462	80	584mm/23"

B SPECIFY CCT

30	3000K (<i>min 80 CR</i>)
35	3500K (<i>min 80 CR</i>)
40	4000K (<i>min 80 CR</i>)

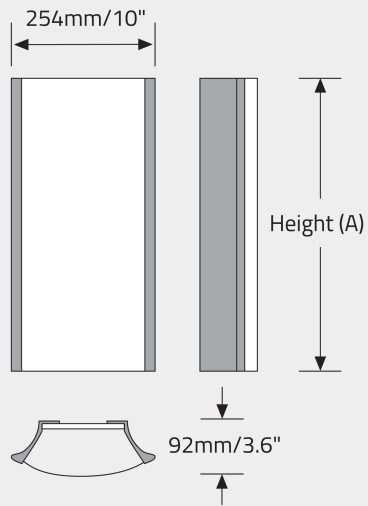
C SPECIFY OPTIONS

TM	Trim Claws, Metallic Silver
TB	Trim Claws, Black Chrome
TC	Trim Claws, Polished Chrome
TP	Trim Claws, Polished Brass
TS	Trim Claws, Satin Brass

EXAMPLE CODE

701120/35

DIMENSIONAL DIAGRAMS



APPROVALS

