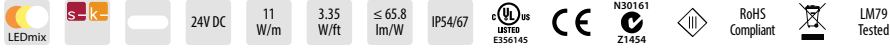


MoMo-R 207

Specification sheet



| | |
|-----------------------|--|
| Dimension | H30.35/W35.4/L108.3-2025mm (H1.19/W1.39/L4.26-79.72in) |
| PCB increment | 83.3mm increment/2000mm max (3.28in increment/78.74in max) |
| LED pitch | 13.9mm - 72LED/m (0.55in - 22LED/ft) between same coloured LEDs |
| Chip | s-line Toyoda Gosei k-line Samsung |
| Beam angle | 100° (Clear Cover) / 95° (Diffused Cover) / 14° (KKLN-01 Lens) |
| Colours | s-line 2100K/2500K/2700K/3000K/3500K/4000K/5000K k-line 1900K/2100K/2500K/2700K/3000K/3500K/4000K/5000K |
| Bin/Step | s-line 2.5 Step MacAdam ellipse k-line 3 Step MacAdam ellipse |
| CRI | ≥ 90 |
| Lifetime | 50,000 hours @ 25°C (50,000 hours @ 77°F) |
| Operating temp | T _a = -25 to 60°C (T _c max = 66.7°C) T _a = -13 to 140°F (T _c max = 152.1°F) |
| IP rating | IP54/IP67 |
| Finish | Silver anodised |
| Cover/lens | Clear/Diffused/14° lens option/Diffused + Micro Louvre |
| Mounting | Recessed mounting via spring clip / Cable race way |
| Power feed | Sheathed hardwire tails or male/female connectors |
| Control | 0-10V/1-10V/DMX/DALI |



LED Grading Key

Exclusive Grade

| | |
|--------------------|-----------------------|
| s-line* | *KKDC tuned CCT range |
| 2.5-step CCT range | |

Base Grade

| | |
|---------------|---|
| k-line | 3-step commercial range Energy Star CCTs |
|---------------|---|

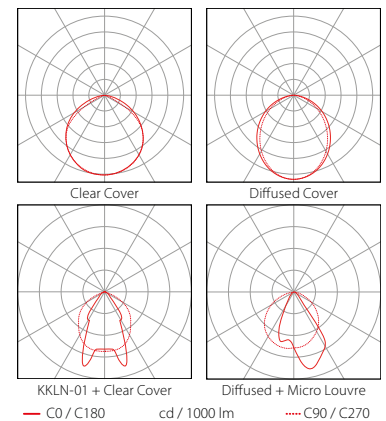
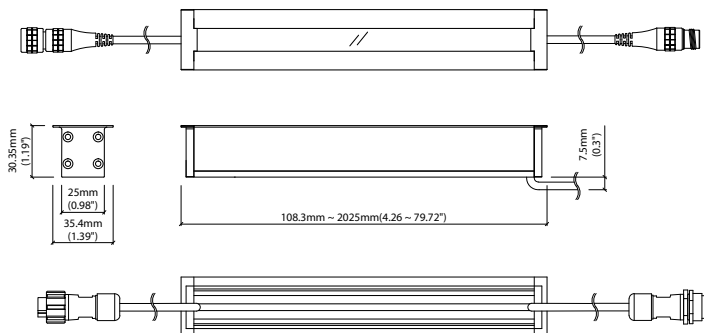
PERFORMANCE DATA @ 2100K + 5000K

| Power Consumption | Supply voltage | Supply current |
|-------------------|----------------|--------------------|
| 11W/m (3.35W/ft) | 24V DC | 0.46A/m (0.14A/ft) |

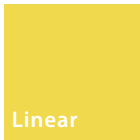
Colour Rendering Index (CRI)

| | R1 | R2 | R3 | R4 | R5 | R6 | R7 | R8 | R9 | R10 | R11 | R12 | R13 | R14 |
|---------------|----|----|----|----|----|----|----|----|----|-----|-----|-----|-----|-----|
| k-line | 94 | 97 | 98 | 93 | 93 | 96 | 92 | 83 | 60 | 93 | 94 | 82 | 95 | 99 |

| | Clear Cover | Diffused Cover | KKLN-01 | Diffused + Micro Louvre | CRI | R9 | Rf | Rg |
|---------------|--------------------------------|--------------------------------|-------------------------------|-------------------------------|-----|----|----|----|
| s-line | 720lm/m (219lm/ft) 65.8lm/W | 470lm/m (143lm/ft) 42.5lm/W | 320lm/m (98lm/ft) 29.2lm/W | 288lm/m (88lm/ft) 26.3lm/W | 93 | 62 | - | - |
| k-line | 710lm/m (216lm/ft) 64.8lm/W | 460lm/m (140lm/ft) 41.9lm/W | 320lm/m (94lm/ft) 28.7lm/W | 284lm/m (86lm/ft) 25.9lm/W | 92 | 60 | - | - |



Data derived from production samples tested to UKAS/IESNA LM-79-08 standards.



MoMo-R 208

Specification sheet



| | |
|-----------------------|--|
| Dimension | H30.35/W35.4/L191.7-2025mm (H1.19/W1.39/L7.55-79.72in) |
| PCB increment | 166.7mm increment/2000mm max (6.56in increment/78.74in max) |
| LED pitch | 23.8mm - 42LED/m (0.94in - 13LED/ft) between same coloured LEDs |
| Chip | s-line Toyoda Gosei k-line Samsung |
| Beam angle | 100° (Clear Cover) / 95° (Diffused Cover) / 14° (KKLN-01 Lens) |
| Colours | s-line 2100K/2300K/2500K/2700K/3000K/3200K/3500K/4000K/5000K k-line 1900K/2100K/2500K/2700K/3000K/3500K/4000K/5000K |
| Bin/Step | s-line 2.5 Step MacAdam ellipse k-line 3 Step MacAdam ellipse |
| CRI | ≥ 90 |
| Lifetime | 50,000 hours @ 25°C (50,000 hours @ 77°F) |
| Operating temp | T _a = -25 to 60°C (T _c max = 74.2°C) T _a = -13 to 140°F (T _c max = 165.6°F) |
| IP rating | IP54/IP67 |
| Finish | Silver anodised |
| Cover/lens | Clear/Diffused/14° lens option/Diffused + Micro Louvre |
| Mounting | Recessed mounting via spring clip / Cable race way |
| Power feed | Sheathed hardwire tails or male/female connectors |
| Control | 0-10V/1-10V/DMX/DALI |



LED Grading Key

Exclusive Grade

| | |
|--------------------|-----------------------|
| s-line* | *KKDC tuned CCT range |
| 2.5-step CCT range | CCT range |

Base Grade

| | |
|---------------|---|
| k-line | 3-step commercial range Energy Star CCTs |
|---------------|---|

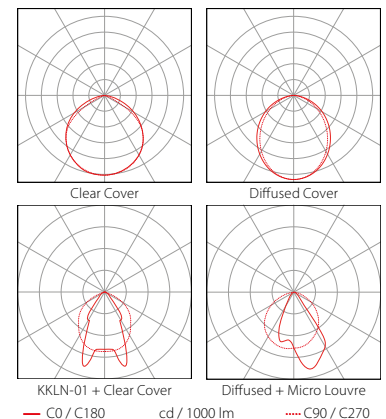
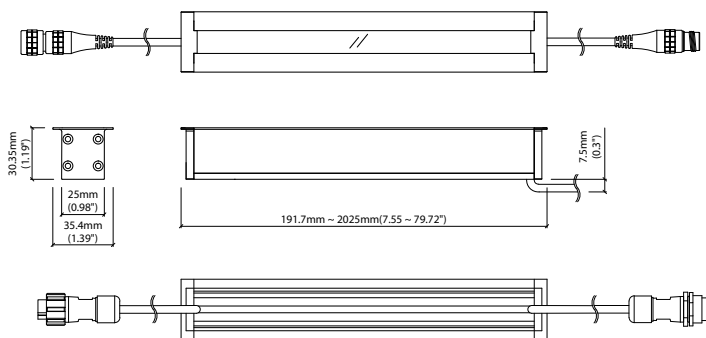
PERFORMANCE DATA @ 2100K + 5000K

| Power Consumption | Supply voltage | Supply current |
|--------------------|----------------|--------------------|
| 15.6W/m (4.75W/ft) | 24V DC | 0.65A/m (0.20A/ft) |

Colour Rendering Index (CRI)

| | R1 | R2 | R3 | R4 | R5 | R6 | R7 | R8 | R9 | R10 | R11 | R12 | R13 | R14 |
|---------------|----|----|----|----|----|----|----|----|----|-----|-----|-----|-----|-----|
| k-line | 94 | 97 | 98 | 93 | 93 | 96 | 92 | 83 | 60 | 93 | 94 | 82 | 95 | 99 |

| | Clear Cover | Diffused Cover | KKLN-01 | Diffused + Micro Louvre | CRI | R9 | Rf | Rg |
|---------------|---------------------------------|--------------------------------|--------------------------------|--------------------------------|-----|----|----|----|
| s-line | 1210lm/m (367lm/ft) 77.3lm/W | 660lm/m (226lm/ft) 42.6lm/W | 590lm/m (201lm/ft) 37.8lm/W | 484lm/m (147lm/ft) 30.9lm/W | 94 | 75 | - | - |
| k-line | 1120lm/m (344lm/ft) 72.1lm/W | 730lm/m (223lm/ft) 46.6lm/W | 500lm/m (152lm/ft) 32lm/W | 448lm/m (138lm/ft) 28.8lm/W | 92 | 60 | - | - |



Data derived from production samples tested to UKAS/IESNA LM-79-08 standards.

Linear

MoMo-R 352

Specification sheet



| | |
|-----------------------|---|
| Dimension | H30.35/W35.4/L108.3-2025mm (H1.19/W1.39/L4.26-79.72in) |
| PCB increment | 83.3mm increment/2000mm max (3.28in increment/78.74in max) |
| LED pitch | 13.9mm - 72LED/m (0.55in - 22LED/ft) |
| Chip | s/e-line Toyoda Gosei k-line Samsung |
| Beam angle | 100° (Clear Cover) / 95° (Diffused Cover) / 14° (KKLN-01 Lens) |
| Colours | s/e-line 2100K/2500K/2700K/3000K/3500K/4000K/5000K s-line Single colours: Red/Green/Blue/Orange/Amber k-line 1900K/2100K/2500K/2700K/3000K/3500K/4000K/5000K |
| Bin/Step | s-line 2 Step MacAdam ellipse e/k-line 3 Step MacAdam ellipse |
| CRI | ≥ 90 |
| Lifetime | 50,000 hours @ 25°C (50,000 hours @ 77°F)° |
| Operating temp | T _a = -25 to 60°C (T _c max = 65°C) T _a = -13 to 140°F (T _c max = 149°F) |
| IP rating | IP54/IP67 |
| Finish | Silver anodised |
| Cover/lens | Clear/Diffused/14° lens option/Diffused + Micro Louvre |
| Mounting | Recessed mounting via spring clip / Cable race way |
| Power feed | Sheathed hardwire tails or male/female connectors |
| Control | 0-10V/1-10V/DMX/DALI |



LED Grading Key

Exclusive Grade

- s-line*** *KKDC tuned CCT range
- e-line*** 3-step CCT range

Base Grade

- k-line** 3-step commercial range Energy Star CCTs

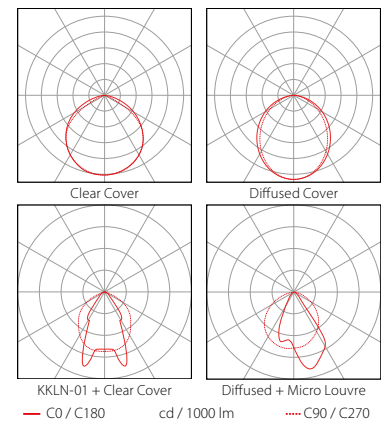
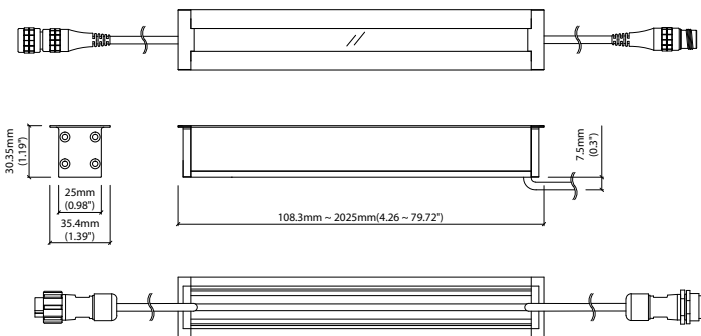
PERFORMANCE DATA @ 3000K

| Power Consumption | Supply voltage | Supply current |
|-------------------|----------------|--------------------|
| 5.5W/m (1.67W/ft) | 24V DC | 0.23A/m (0.07A/ft) |

Colour Rendering Index (CRI)

| | R1 | R2 | R3 | R4 | R5 | R6 | R7 | R8 | R9 | R10 | R11 | R12 | R13 | R14 |
|---------------|----|----|----|----|----|----|----|----|----|-----|-----|-----|-----|-----|
| k-line | 94 | 97 | 98 | 93 | 93 | 96 | 92 | 83 | 60 | 93 | 94 | 82 | 95 | 99 |

| | Clear Cover | Diffused Cover | KKLN-01 | Diffused + Micro Louvre | CRI | R9 | Rf | Rg |
|-----------------|--------------------------------|-------------------------------|-------------------------------|-------------------------------|-----|----|----|----|
| s/e-line | 410lm/m (125lm/ft) 74.9lm/W | 270lm/m (82lm/ft) 48.4lm/W | 180lm/m (55lm/ft) 33.2lm/W | 164lm/m (50lm/ft) 29.9lm/W | 93 | 62 | - | - |
| k-line | 405lm/m (123lm/ft) 73.8lm/W | 260lm/m (79lm/ft) 47.7lm/W | 180lm/m (55lm/ft) 32.7lm/W | 162lm/m (49lm/ft) 29.4lm/W | 92 | 60 | - | - |



Data derived from production samples tested to UKAS/IESNA LM-79-08 standards.

Linear

MoMo-R 504

Specification sheet



| | |
|-----------------------|--|
| Dimension | H30.35/W35.4/L125-2025mm (H1.19/W1.39/L4.92-79.72in) |
| PCB increment | 100mm increment/2000mm max (3.94in increment/78.74in max) |
| LED pitch | 16.7mm - 60LED/m (0.66in - 18LED/ft) |
| Chip | n/s/e-line Toyoda Gosei k-line Samsung |
| Beam angle | 100° (Clear Cover) / 95° (Diffused Cover) / 14° (KKLN-01 Lens) |
| Colours | n-line 2700K/3000K s/e-line 2100K/2300K/2500K/2700K/3000K/3200K/3500K/4000K/5000K s-line Single colours: Red/Green/Blue/Orange/Amber k-line 1900K/2100K/2500K/2700K/3000K/3500K/4000K/5000K |
| Bin/Step | s-line 2 Step MacAdam ellipse n/e/k-line 3 Step MacAdam ellipse |
| CRI | ≥ 90 (n-line ≥ 95) |
| Lifetime | 50,000 hours @ 25°C (50,000 hours @ 77°F) |
| Operating temp | T _a = -25 to 60°C (T _c max = 70°C) T _a = -13 to 140°F (T _c max = 158°F) |
| IP rating | IP54/IP67 |
| Finish | Silver anodised |
| Cover/lens | Clear/Diffused/14° lens option/Diffused + Micro Louvre |
| Mounting | Recessed mounting via spring clip / Cable race way |
| Power feed | Sheathed hardwire tails or male/female connectors |
| Control | 0-10V/1-10V/DMX/DALI |



LED Grading Key

Exclusive Grade

- n-line*** Full visible spectrum
NO UV or IR 380nm-780nm
3-step CCT range *KKDC tuned CCT range
- s-line*** 2-step CCT range
- e-line*** 3-step CCT range

Base Grade

- k-line** 3-step commercial range
Energy Star CCTs

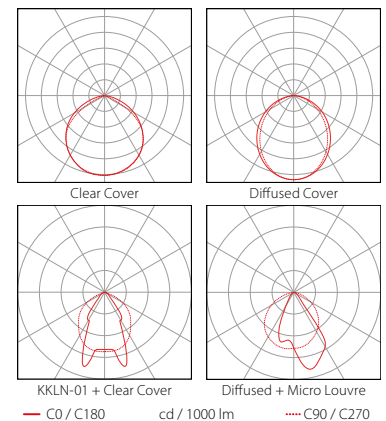
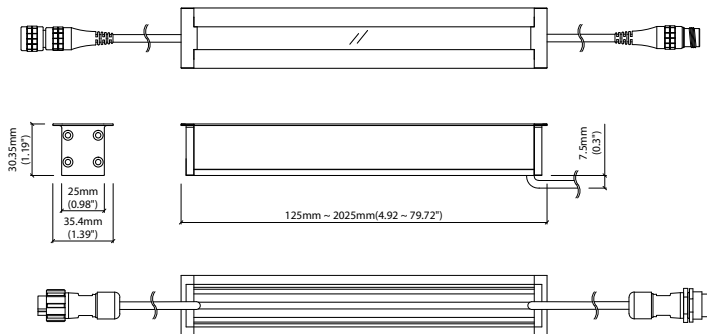
PERFORMANCE DATA @ 3000K

| Power Consumption | Supply voltage | Supply current |
|--------------------|----------------|--------------------|
| 12.5W/m (3.81W/ft) | 24V DC | 0.52A/m (0.16A/ft) |

Colour Rendering Index (CRI)

| | R1 | R2 | R3 | R4 | R5 | R6 | R7 | R8 | R9 | R10 | R11 | R12 | R13 | R14 |
|---------------|----|----|----|----|----|----|----|----|----|-----|-----|-----|-----|-----|
| n-line | 99 | 99 | 98 | 97 | 99 | 97 | 94 | 90 | 78 | 98 | 97 | 92 | 99 | 98 |
| k-line | 94 | 97 | 98 | 93 | 93 | 96 | 92 | 83 | 60 | 93 | 94 | 82 | 95 | 99 |

| | Clear Cover | Diffused Cover | KKLN-01 | Diffused + Micro Louvre | CRI | R9 | Rf | Rg |
|-----------------|--------------------------------|--------------------------------|--------------------------------|--------------------------------|-----|----|----|----|
| n-line | 660lm/m (201lm/ft) 53.1lm/W | 370lm/m (111lm/ft) 29.2lm/W | 330lm/m (101lm/ft) 26lm/W | 264lm/m (80lm/ft) 21.2lm/W | 97 | 80 | - | - |
| s/e-line | 990lm/m (302lm/ft) 79.1lm/W | 540lm/m (165lm/ft) 43.5lm/W | 480lm/m (146lm/ft) 38.7lm/W | 396lm/m (121lm/ft) 31.6lm/W | 90 | 50 | - | - |
| k-line | 880lm/m (268lm/ft) 70.4lm/W | 570lm/m (174lm/ft) 45.4lm/W | 390lm/m (119lm/ft) 31.2lm/W | 352lm/m (107lm/ft) 28.2lm/W | 92 | 60 | - | - |



Data derived from production samples tested to UKAS/IESNA LM-79-08 standards.

Linear

MoMo-R 508

Specification sheet



| | |
|-----------------------|---|
| Dimension | H30.35/W35.4/L96.4-2025mm (H1.19/W1.39/L3.8-79.72in) |
| PCB increment | 71.4mm increment/2000mm max (2.81in increment/78.74in max) |
| LED pitch | 11.9mm - 84LED/m (0.47in - 26LED/ft) |
| Chip | n/s/e-line Toyoda Gosei k-line Samsung |
| Beam angle | 100° (Clear Cover) / 95° (Diffused Cover) / 14° (KKLN-01 Lens) / 508 Louvre |
| Colours | n-line 2700K/3000K s/e-line 2100K/2300K/2500K/2700K/3000K/3200K/3500K/4000K/5000K k-line 1900K/2100K/2500K/2700K/3000K/3500K/4000K/5000K |
| Bin/Step | s-line 2 Step MacAdam ellipse n/e/k-line 3 Step MacAdam ellipse |
| CRI | ≥ 90 (n-line ≥ 95) |
| Lifetime | 50,000 hours @ 25°C (50,000 hours @ 77°F) |
| Operating temp | T _a = -25 to 45°C (T _c max = 65°C) T _a = -13 to 113°F (T _c max = 149°F) |
| IP rating | IP54/IP67 |
| Finish | Silver anodised |
| Cover/lens | Clear/Diffused/14° lens option/Diffused + Micro Louvre |
| Mounting | Recessed mounting via spring clip / Cable race way |
| Power feed | Sheathed hardwire tails or male/female connectors |
| Control | 0-10V/1-10V/DMX/DALI |



LED Grading Key

Exclusive Grade

- n-line*** Full visible spectrum
NO UV or IR 380nm-780nm
3-step CCT range *KKDC tuned CCT range
- s-line*** 2-step CCT range
- e-line*** 3-step CCT range

Base Grade

- k-line** 3-step commercial range
Energy Star CCTs

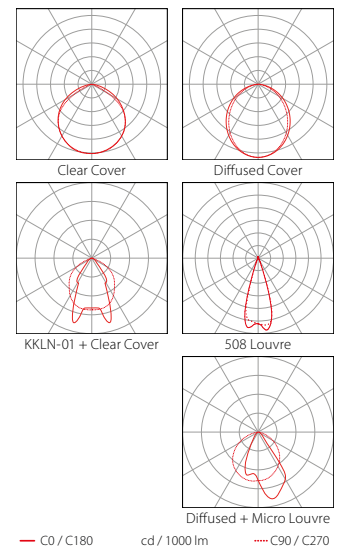
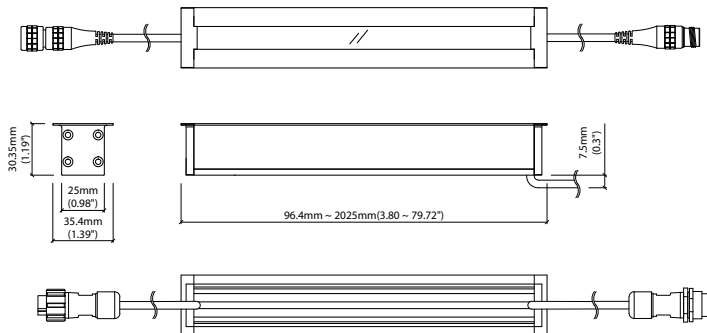
PERFORMANCE DATA @ 3000K

| | | |
|--------------------------|-----------------------|-----------------------|
| Power Consumption | Supply voltage | Supply current |
| 17.5W/m (5.33W/ft) | 24V DC | 0.73A/m (0.22A/ft) |

Colour Rendering Index (CRI)

| | | | | | | | | | | | | | | |
|---------------|----|----|----|----|----|----|----|----|----|-----|-----|-----|-----|-----|
| | R1 | R2 | R3 | R4 | R5 | R6 | R7 | R8 | R9 | R10 | R11 | R12 | R13 | R14 |
| n-line | 99 | 99 | 98 | 97 | 99 | 97 | 94 | 90 | 78 | 98 | 97 | 92 | 99 | 98 |
| k-line | 94 | 97 | 98 | 93 | 93 | 96 | 92 | 83 | 60 | 93 | 94 | 82 | 95 | 99 |

| | Clear Cover | Diffused Cover | KKLN-01 | 508 Louvre | Diffused + Micro Louvre | CRI | R9 | Rf | Rg |
|-----------------|---------------------------------|--------------------------------|--------------------------------|-------------------------------|--------------------------------|-----|----|----|----|
| n-line | 920lm/m (280lm/ft) 52.8lm/W | 511lm/m (156lm/ft) 29.2lm/W | 450lm/m (137lm/ft) 25.8lm/W | 165lm/m (50lm/ft) 9.3lm/W | 368lm/m (112lm/ft) 21.1lm/W | 97 | 78 | - | - |
| s/e-line | 1370lm/m (418lm/ft) 78.3lm/W | 750lm/m (229lm/ft) 43.1lm/W | 670lm/m (204lm/ft) 38.3lm/W | 225lm/m (70lm/ft) 12.8lm/W | 548lm/m (167lm/ft) 31.3lm/W | 90 | 50 | - | - |
| k-line | 1230lm/m (375lm/ft) 70.5lm/W | 800lm/m (244lm/ft) 45.5lm/W | 550lm/m (168lm/ft) 31.2lm/W | 230lm/m (70lm/ft) 13.1lm/W | 492lm/m (150lm/ft) 28.2lm/W | 92 | 60 | - | - |



Data derived from production samples tested to UKAS/IESNA LM-79-08 standards.

Linear

MoMo-R 512

Specification sheet



| | |
|-----------------------|---|
| Dimension | H30.35/W35.4/L96.4-2025mm (H1.19/W1.39/L3.8-79.72in) |
| PCB increment | 71.4mm increment/2000mm max (2.81in increment/78.74in max) |
| LED pitch | 11.9mm - 84LED/m (0.47in - 26LED/ft) |
| Chip | n/s/e-line Toyoda Gosei k-line Samsung |
| Beam angle | 100° (Clear Cover) / 95° (Diffused Cover) |
| Colours | n-line 2700K/3000K s/e-line 2100K/2300K/2500K/2700K/3000K/3200K/3500K/4000K/5000K k-line 1900K/2100K/2500K/2700K/3000K/3500K/4000K/5000K |
| Bin/Step | s-line 2 Step MacAdam ellipse n/e/k-line 3 Step MacAdam ellipse |
| CRI | ≥ 90 (n-line ≥ 95) |
| Lifetime | 50,000 hours @ 25°C (50,000 hours @ 77°F) |
| Operating temp | T _a = -20 to 40°C (T _c max = 62.6°C) T _a = -13 to 113°F (T _c max = 149°F) |
| IP rating | IP54/IP67 |
| Finish | Silver anodised |
| Cover/lens | Clear/Diffused/Diffused + Micro Louvre |
| Mounting | Recessed mounting via spring clip / Cable race way |
| Power feed | Sheathed hardwire tails or male/female connectors |
| Control | 0-10V/1-10V/DMX/DALI |



LED Grading Key

Exclusive Grade

- n-line*** Full visible spectrum
NO UV or IR 380nm-780nm
3-step CCT range *KKDC tuned CCT range
- s-line*** 2-step CCT range
- e-line*** 3-step CCT range

Base Grade

- k-line** 3-step commercial range
Energy Star CCTs

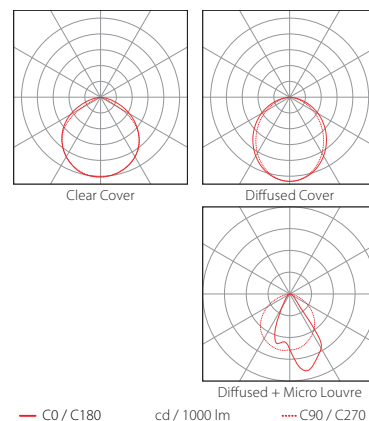
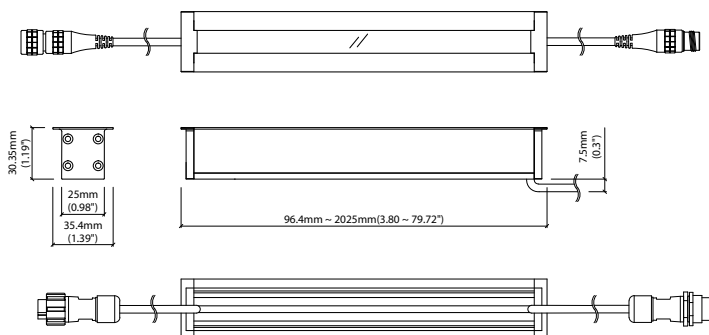
PERFORMANCE DATA @ 3000K

| Power Consumption | Supply voltage | Supply current |
|-------------------|----------------|--------------------|
| 30.2W/m (9.2W/ft) | 24V DC | 1.26A/m (0.38A/ft) |

Colour Rendering Index (CRI)

| | R1 | R2 | R3 | R4 | R5 | R6 | R7 | R8 | R9 | R10 | R11 | R12 | R13 | R14 |
|---------------|----|----|----|----|----|----|----|----|----|-----|-----|-----|-----|-----|
| n-line | 99 | 99 | 98 | 97 | 99 | 97 | 94 | 90 | 78 | 98 | 97 | 92 | 99 | 98 |
| k-line | 94 | 97 | 98 | 93 | 93 | 96 | 92 | 83 | 60 | 93 | 94 | 82 | 95 | 99 |

| | Clear Cover | Diffused Cover | Diffused + Micro Louvre | CRI | R9 | Rf | Rg |
|-----------------|---------------------------------|--------------------------------|---------------------------------|-----|----|----|----|
| n-line | 1600lm/m (490lm/ft) 52.8lm/W | 880lm/m (270lm/ft) 29.2lm/W | 980lm/m (298lm/ft) 32.2lm/W | 97 | 78 | - | - |
| s/e-line | 2370lm/m (721lm/ft) 78.3lm/W | 950lm/m (290lm/ft) 30.2lm/W | 1450lm/m (441lm/ft) 47.8lm/W | 90 | 50 | - | - |
| k-line | 2130lm/m (649lm/ft) 70.5lm/W | 960lm/m (293lm/ft) 31.9lm/W | 1300lm/m (396lm/ft) 43.0lm/W | 92 | 60 | - | - |



Data derived from production samples tested to UKAS/IESNA LM-79-08 standards.

Linear

MoMo-R RGB

Specification sheet



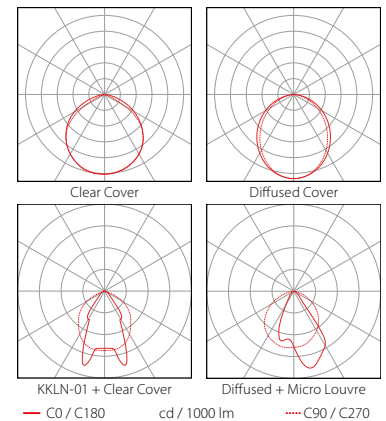
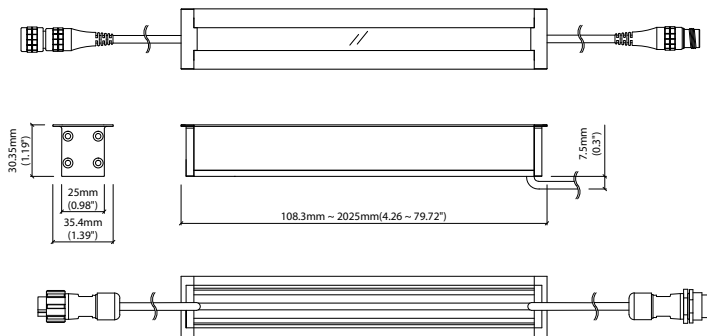
| | |
|-----------------------|---|
| Dimension | H30.35/W35.4/L108.3-2025mm (H1.19/W1.39/L4.26-79.72in) |
| PCB increment | 83.3mm increment/2000mm max (3.28in increment/78.74in max) |
| LED pitch | 13.9mm - 72LED/m (0.55in - 22LED/ft) |
| Chip | Red TEKCORE/Green EPILEDS/Blue 3E |
| Beam angle | 100° (Clear Cover) / 95° (Diffused Cover) / 14° (KKLN-01 Lens) |
| Colours | Red 620-625nm/Blue 455-460nm/Green 520-525nm |
| Bin/Step | 5nm tolerance |
| CRI | N/A |
| Lifetime | 50,000 hours @ 25°C (50,000 hours @ 77°F) |
| Operating temp | T _a = -20 to 60°C (T _C max = 70°C) T _a = -4 to 140°F (T _C max = 158°F) |
| IP rating | IP54/IP67 |
| Finish | Silver anodised |
| Cover/lens | Clear/Diffused/14° lens option/Diffused + Micro Louvre |
| Mounting | Recessed mounting via spring clip / Cable race way |
| Power feed | Sheathed hardwire tails or male/female connectors |
| Control | DMX/DALI |



PERFORMANCE DATA

| Power Consumption | Supply voltage | Supply current |
|--------------------|----------------|--------------------|
| 15.6W/m (4.75W/ft) | 24V DC | 0.65A/m (0.20A/ft) |

| Clear Cover | Diffused Cover | KKLN-01 | Diffused + Micro Louvre |
|---|--|--|--|
| Red: 124lm/m (38lm/ft) Green: 252lm/m (77lm/ft) Blue: 41lm/m (12lm/ft) RGB: 398lm/m (121lm/ft) | Red: 65lm/m (20lm/ft) Green: 140lm/m (43lm/ft) Blue: 23lm/m (7lm/ft) RGB: 203lm/m (62lm/ft) | Red: 58lm/m (18lm/ft) Green: 125lm/m (38lm/ft) Blue: 21lm/m (6lm/ft) RGB: 180lm/m (55lm/ft) | Red: 50lm/m (15lm/ft) Green: 101lm/m (31lm/ft) Blue: 16lm/m (5lm/ft) RGB: 159lm/m (48lm/ft) |



Data derived from production samples tested to UKAS/IESNA LM-79-08 standards.