



GENERAL SPECIFICATION

Product Overview:

- Sleek 1" x 2" (25mm x 58mm) profile
- High efficiency frosted acrylic diffuser with 123 LPW delivered
- Direct & Indirect options
- Available in six sizes, three different colour temperatures and multiple finishes

Body: Aluminum.

Finish: Powder coated.

Suspension: Stainless steel cables. Vertical suspension for remote drivers.

Power cable: Silver braided.

Remote mounting of drivers: Wire size 18 AWG - max distance (from fixture to drivers) 40'; wire size 16 AWG - max distance 60'; wire size 14 AWG - max distance 90'. Drivers must be accessible after installation.

Mechanical: Luminaires mount directly over J box (by others - North America only).

Diffusers: Frosted acrylic.

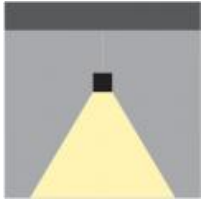
L70 @25deg C: > 50,000 hrs.

Delivered lumens: Delivered lumens & LPW based on 4000K (min 80 CRI) for White LEDs only.

Lumens/ft: Direct lms/ft = 520, Direct/Indirect lms/ft = 1060.

Approvals: ETL C/US, CE, Damp Location (Indoor use only).

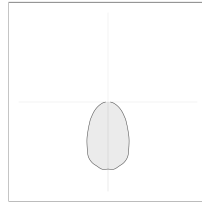
MOUNTING & OPTICS



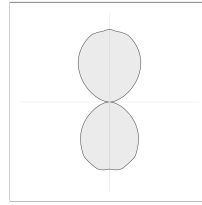
Suspended Direct



Suspended Direct/Indirect



Direct



Direct-indirect

HOW TO ORDER

A SPECIFY LUMINAIRE

Code:	Straight:	Version:	Wattage:	Delivered lms:	LPW:
AT3	914mm/36"	Direct	13W	1510	121
AT4	1219mm/48"	Direct	17W	2068	122
AT5	1524mm/60"	Direct	22W	2647	120
AT6	1829mm/72"	Direct	28W	3309	120
AT7	2134mm/84"	Direct	32W	3805	119
AT8	2438mm/96"	Direct	37W	4343	117
AT11	914mm/36"	Direct/Indirect	25W	3069	123
AT12	1219mm/48"	Direct/Indirect	34W	4205	123
AT13	1524mm/60"	Direct/Indirect	44W	5382	122
AT14	1829mm/72"	Direct/Indirect	55W	6727	122
AT15	2134mm/84"	Direct/Indirect	63W	7736	123
AT16	2438mm/96"	Direct/Indirect	73W	8830	121

Additional Information

Direct lms/ft = 520, Direct/Indirect lms/ft = 1060.

B SPECIFY CCT/COLOR (DIRECT)

J2	3000K (min 80 CR)
J3	3500K (min 80 CR)
J4	4000K (min 80 CR)
J7	Red
J8	Green
J9	Blue

C SPECIFY CCT/COLOR (INDIRECT)

K0	Indirect CCT/Color not required
K2	3000K (min 80 CR)
K3	3500K (min 80 CR)
K4	4000K (min 80 CR)
K7	Red
K8	Green
K9	Blue

D SPECIFY UPLIGHT DIFFUSER

U0	Uplight diffuser not required
U1	Clear diffuser
U2	Opal diffuser

E SPECIFY DIMMING

- D1** 0-10V Dimming (1.0%)
- D2** 0-10V Dimming (0.1%)
- D4** DALI Dimming (0.1%)
- D5** DALI Dimming (1.0%)

Additional Information

Remote drivers only. D4 for use in North America only.

F SPECIFY FINISH

- F1** White
- F2** Black
- F20** Metallic Silver
- F27** Wood grain - Light Cherry
- F28** Wood grain - Dark Walnut

Additional Information

Note: The canopy will be white for fixtures with the wood grain finishes F27 & F28.

G SPECIFY LUMEN OUTPUT

- L0** 100% of standard output
- L1** Lumen & wattage reduction to approximately 75% of standard output
- L2** Lumen & wattage reduction to approximately 50% of standard output
- L3** Lumen & wattage reduction to approximately 25% of standard output

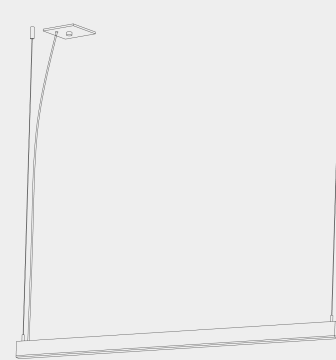
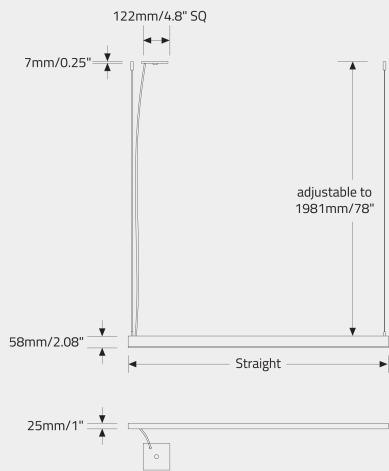
Additional Information

L3 is not available with AT3, AT4, AT5 & AT11. L2 is not available with AT3. Custom reduction percentages available upon request.

EXAMPLE SPECIFICATION CODE

AR4/J3/K0/U0/D2/F2/L0

DIMENSIONAL DIAGRAMS



ISO VIEW

APPROVALS

