

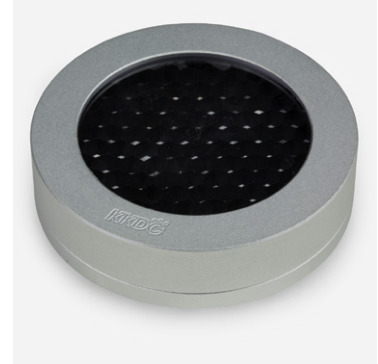


PUK-L

Specification sheet



Dimension	H18/Ø70mm (H0.71/Ø2.76in)
Chip	k-line Samsung
Beam angle	90° (Clear Cover) 115° (Diffused Cover) 45° (Louvre+Clear Cover)
Colours	k-line 1900K/2100K/2300K/2500K/2700K/3000K/3500K/4000K/5000K
Bin/Step	k-line 3 Step MacAdam ellipse
CRI	≥ 90
Lifetime	50,000 hours @ 25°C (50,000 hours @ 77°F)
Operating temp	T _a = -25 to 45°C (T _c max = 71.4°C) T _a = -13 to 113°F (T _c max = 160.5°F)
IP rating	IP44
Finish	Silver anodised or Black
Cover/lens	Diffused/Clear (Optional honeycomb louvre accessory)
Mounting	Surface mounted via screws (supplied)
Connection	Single sheathed hardwire tail
Control	0-10V/1-10V/DMX/DALI



LED Grading Key

Base Grade

- k-line**
3-step commercial range
Energy Star CCTs

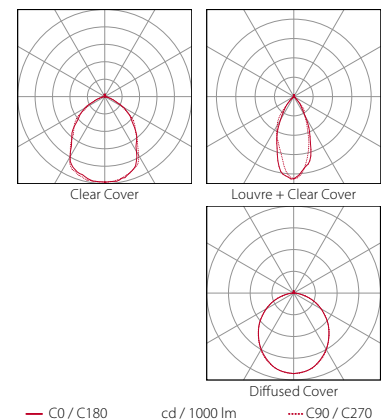
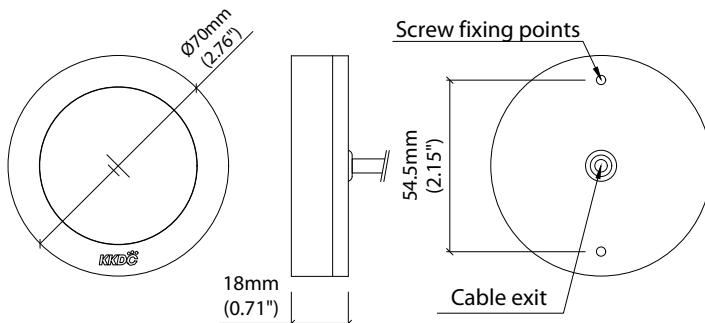
PERFORMANCE DATA @ 3000K

Power consumption	Supply voltage	Supply current
3.60W	24V DC	0.15A

Colour Rendering Index (CRI)

	R1	R2	R3	R4	R5	R6	R7	R8	R9	R10	R11	R12	R13	R14
k-line	92	95	97	93	92	95	92	82	60	89	94	82	93	98

	Clear Cover	Louvre + Clear Cover	Diffused Cover	CRI	R9	Rf	Rg
k-line	190lm 52.9lm/W	60lm 16.6lm/w	150lm 41lm/W	92	61	90	100



Data derived from independent UKAS / IESNA LM-79-08 accredited testing of production samples.