

Linear

TANA SP 007

Specification sheet



Dimension	H15.8/W16/L61.7-2020mm (H0.62/W0.63/L2.43-79.53in)
PCB increment	41.7mm increment/2000mm max (1.64in increment/78.74in max)
LED pitch	6.9mm - 144LED/m (0.27in - 44LED/ft)
Chip	s/e-line Toyoda Gosei
	k-line Samsung
Beam angle	60° (Diffused cover)
Colours	s/e-line 2100K/2300K/2500K/2700K/3000K/3200K/3500K/4000K/5000K Single colours: Red/Green/Blue/Orange/Amber
	k-line 1900K/2100K/2300K/2500K/2700K/3000K/3500K/4000K/5000K
Bin/Step	s-line 2 Step MacAdam ellipse e/k-line 3 Step MacAdam ellipse
CRI	≥ 90
Lifetime	35,000 hours @ 25°C (35,000 hours @ 77°F)
Operating temp	T _a = -25°C to 60°C (T _c max = 77.3°C) T _a = -13 to 140°F (T _c max = 171.1°F)
IP rating	IP40
Finish	Silver anodised
Cover/lens	Diffused
Mounting	Surface mounting via concealed clips
Connection	Hardwire tails
Control	0-10V/1-10V/DMX/DALI



LED Grading Key

Exclusive Grade

s-line*	2-step CCT range	*KKDC tuned CCT range
e-line*	3-step CCT range	

Base Grade

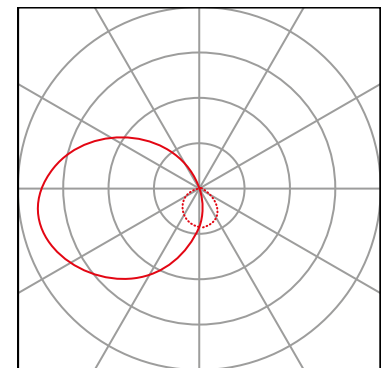
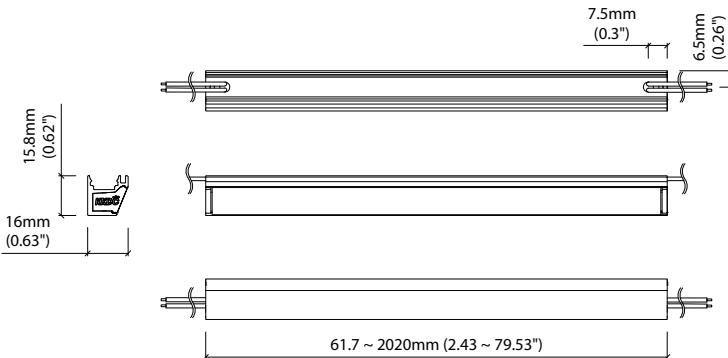
k-line	3-step commercial range Energy Star CCTs
---------------	---

PERFORMANCE DATA @ 3000K

Power consumption	Supply voltage	Supply current
10.9W/m (3.32W/ft)	24V DC	0.45A/m (0.14A/ft)

Colour Rendering Index (CRI)

	R1	R2	R3	R4	R5	R6	R7	R8	R9	R10	R11	R12	R13	R14	CRI	R9
k-line	93	97	98	93	93	95	92	83	61	91	93	83	94	98		
Diffused																
s/e-line	420lm/m (128lm/ft) 38.5lm/W														91	54
k-line	460lm/m (140lm/ft) 41.8lm/W														92	61



Diffused Cover
— C0 / C180 cd / 1000 lm - - - C90 / C270

Data derived from independent UKAS / IESNA LM-79-08 accredited testing of production samples.