



# SEN 050

## Specification sheet



<b>Dimension</b>	H43.2/W39.2/L210-1810mm (H1.70/W1.54/L8.27-71.26in) 1010mm (9.76in) max for UL
<b>PCB increment</b>	100mm (3.94in)
<b>LED pitch</b>	50mm - 20LED/m (1.97in - 6.1LED/ft)
<b>Chip</b>	<b>hcc-line</b> Cree
<b>Beam angle</b>	10°/20°/30°/60°/Spread lens (10°x45°)/No lens
<b>Colours</b>	<b>hcc-line</b> White: 2700K/3000K/3500K/4000K/5000K Single colours: Red/Green/Blue
<b>Bin/Step</b>	<b>hcc-line</b> 3 Step MacAdam Ellipse
<b>CRI</b>	80 (2700K-4000K)/75 (5000K)
<b>Lifetime</b>	50,000 hours @ 25°C (50,000 hours @ 77°F)
<b>Operating temp</b>	350mA: $T_a = -25$ to $70^\circ\text{C}$ ( $T_c$ max = $85^\circ\text{C}$ ) $T_a = -13$ to $158^\circ\text{F}$ ( $T_c$ max = $185^\circ\text{F}$ ) 700mA: $T_a = -25$ to $30^\circ\text{C}$ ( $T_c$ max = $47^\circ\text{C}$ ) $T_a = -13$ to $86^\circ\text{F}$ ( $T_c$ max = $116.6^\circ\text{F}$ )
<b>IP rating</b>	IP54/67
<b>Finish</b>	Silver anodised
<b>Cover/lens</b>	Clear/Clear+Micro Louvre/Lens options
<b>Mounting</b>	Surface mounting via brackets
<b>Connection</b>	Sheathed hardwire tail
<b>Control</b>	0-10V/1-10V/DMX/DALI via. External power supply options



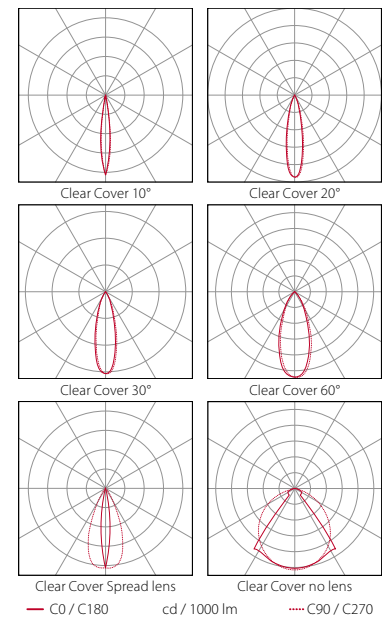
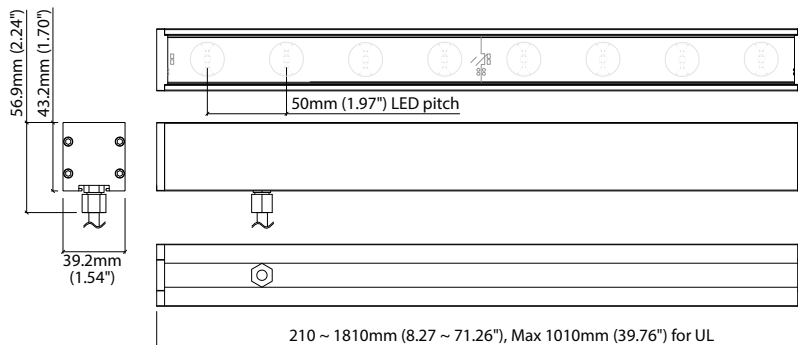
### LED Grading Key

<b>hcc-line*</b>	Constant Current Lensed High Power LED 2-step CCT range (4-step for 5000K, 6500K)	*KKDC tuned CCT range
------------------	---	-----------------------

### PERFORMANCE DATA @ 3000K

Power consumption	Supply voltage	Supply current
TYP. 21.53W/m (6.56W/ft) @ 350mA TYP. 46.2W/m (14.08W/ft) @ 700mA	TYP. 61V/m (18.6V/ft) @ 350mA TYP. 66V/m (20.1V/ft) @ 700mA	0.35/0.7A/m (0.107/0.213A/ft)

	Clear Cover 10°	Clear Cover 20°	Clear Cover 30°	Clear Cover 60°	Clear Cover Spread Lens	Clear Cover No Lens	Clear Cover + Micro Louvre	CRI	R9	Rf	Rg
<b>hcc-line</b>	1422lm/m (433lm/ft), 67.7lm/W @ 3000K, 350mA	1466lm/m (447lm/ft), 69.8lm/W @ 3000K, 350mA	1336lm/m (407lm/ft), 63.6lm/W @ 3000K, 350mA	1516lm/m (462lm/ft), 72.2lm/W @ 3000K, 350mA	1422lm/m (433lm/ft), 67.7lm/W @ 3000K, 350mA	1184lm/m (361lm/ft), 56.4lm/W @ 3000K, 350mA	-60% Output when combined with Cover and Lens options	-	-	-	-
	2155lm/m (657lm/ft), 51.3lm/W @ 3000K, 700mA	2222lm/m (677lm/ft), 52.9lm/W @ 3000K, 700mA	2024lm/m (617lm/ft), 48.2lm/W @ 3000K, 700mA	2297lm/m (700lm/ft), 54.7lm/W @ 3000K, 700mA	2155lm/m (657lm/ft), 51.3lm/W @ 3000K, 700mA	1798lm/m (548lm/ft), 42.8lm/W @ 3000K, 700mA	-60% Output when combined with Cover and Lens options	-	-	-	-



Data derived from independent UKAS / IESNA LM-79-08 accredited testing of production samples.