

3D LED Flex 40 IP66

Modular, IP66 3D flexible LED exterior linear lighting system

One of the early developments of the 3D LED Flex 40 system was an exterior IP66 rated version so that the same system can be used to light both interior and exterior projects. The system has also been used to light pools and hammams where high humidity would cause problems for an IP20 rated system.

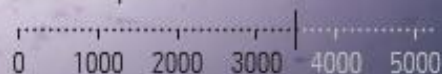
The most popular elliptical optic version has been used to graze domes, curved roof surfaces and facades. The 100 mm module allows the system to be tailored to fit any building size and shape.

The system can be run at up to 50 Watts per mtr providing up to 3,500 lumens per mtr. With many options for LED light engines, optics, mounting brackets and anti-glare accessories the system can be configured for each project.

A thermal control system is used in high ambient conditions to keep the LEDs working at an optimum temperature.



Lumens per mtr

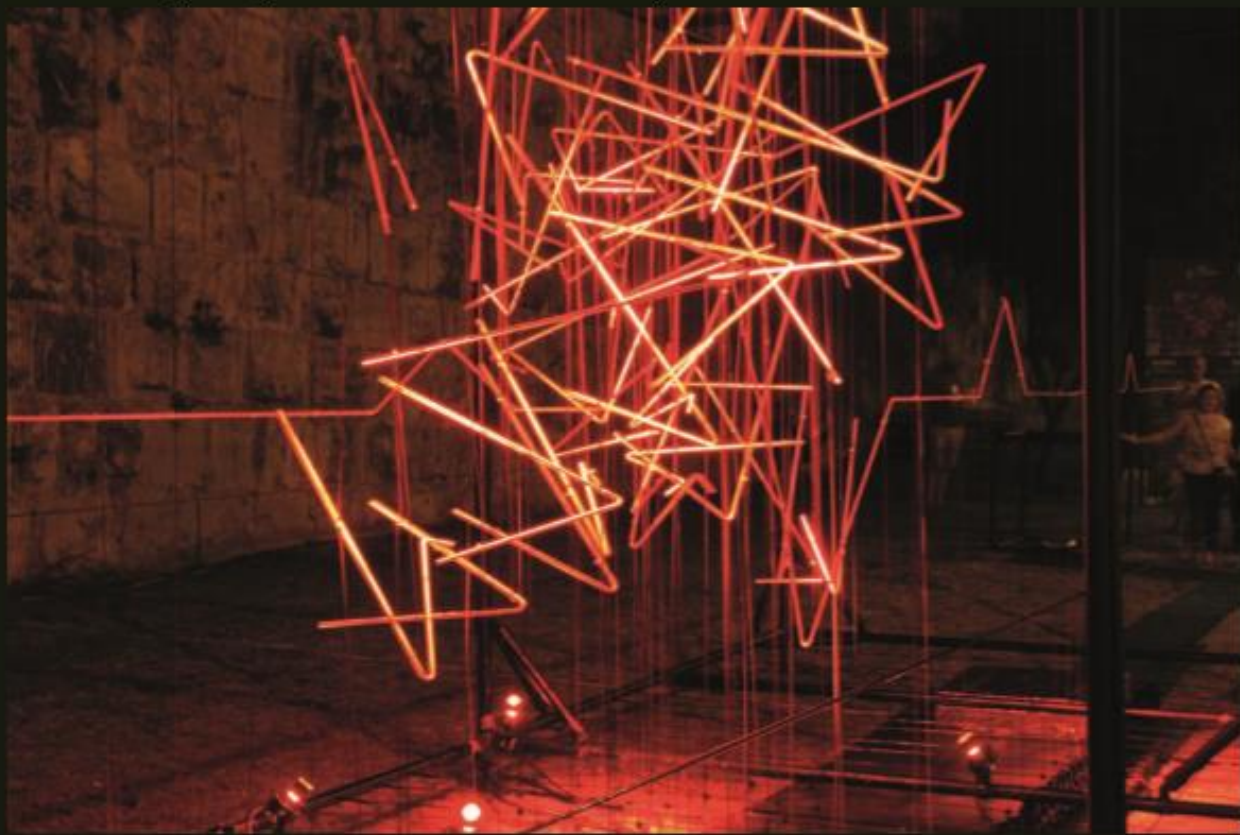




University of Edinburgh Old College dome
Lighting design by Nich Smith Lighting Design



3D LED Flex 40 IP66 system. Each module comprises 4 x Luxeon Z red LEDs with a Gaggione ultra-narrow beam lens, and custom height anti-glare snoot. Each module is individually addressable via DMX.





Heart Beat installation, Lightwaves festival. Salford Quays, UK
Lighting design by GNI Projects
Darc Award Winner - Art: Best Light Art Scheme, Low Budget

darc awards
/ ARCHITECTURAL
WINNER



3D LED Flex 40 System IP66, single modules with lenses and adjustable angle mounting brackets





Strasbourg Cathedral, France. Lighting design by Acte Lumiere.
Darc Award Winner - Structures: Best Exterior Lighting Scheme, High Budget

darc awards
ARCHITECTURAL
WINNER



The Bvlgari Spa, Dubai. Lighting design by Delta lighting solutions, Dubai
Winner of the Light Middle East Award for Hotel Lighting Project of the Year





8 or 12 x 0.3 Watt medium power LEDs with white reflector per module



4 x high power LEDs with lenses per module

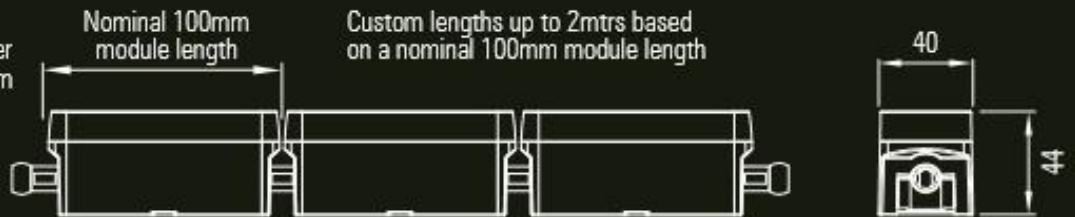


1 x RGBW array with colour-blending lens per module

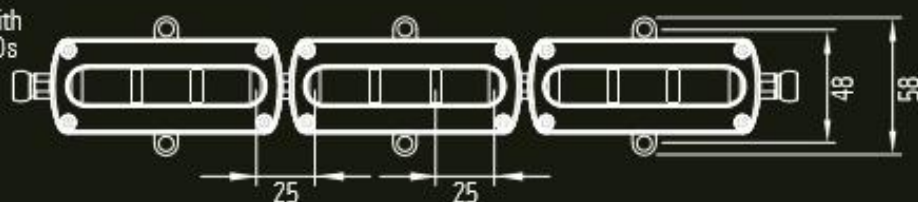


Single module with 4 x high power LEDs and lenses

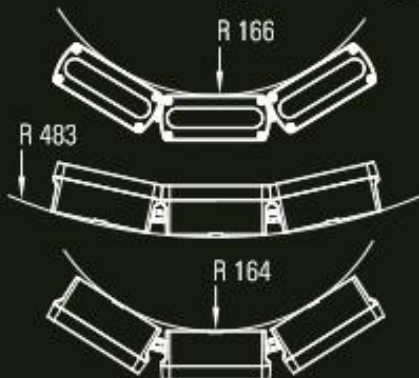
IP66 version with high power LEDs or medium power LEDs
Front view:



IP66 version with high power LEDs or medium power LEDs
Plan view:



IP66 version with high power LEDs or medium power LEDs minimum bend radii:



Custom ball-joints and brackets (to order) can give different bend radii where needed

IP66 version with high power LEDs or medium power LEDs with adjustable angle bracket:



3D LED Flex 40 IP68

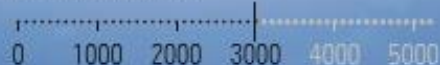
Modular, IP68 3D flexible LED underwater linear lighting system

The Radiant 3D LED Flex 40 IP68 system is designed for use in underwater applications where curved lines of light are required. The system components are cast in 316 L stainless steel and are suitable for use in saline and chlorine environments including pools, fountains and marine projects. The pressed glass windows are bonded to the module bodies and all LED and internal driver boards are potted in silicone resin to ensure long working life at up to 2 mtrs depth.

The patented articulated joint system joining the LED modules allows the system to bend and twist in three dimensions to follow curved building surfaces while maintaining a constant spacing between LEDs. Output up to 3,000 lumens per mtr.



Lumens per mtr





4 x Cree XPE LEDs and lenses



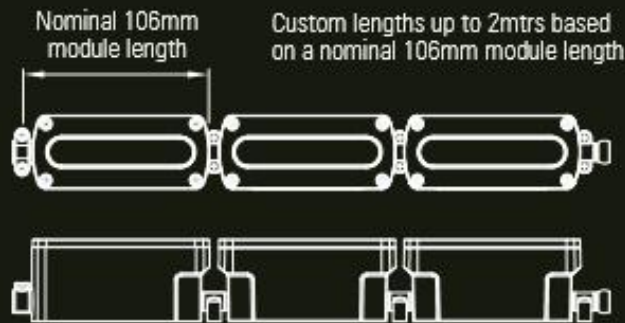
Anti-glare snout and adjustable angle brackets



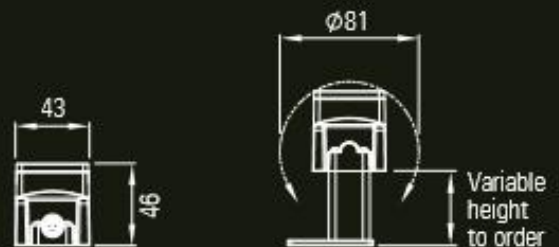
Single module on adjustable angle bracket



Cable connection between modules



Adjustable angle bracket:



Standard minimum bend radii:

Custom ball-joint and brackets (to order) can give different bend radii where needed

