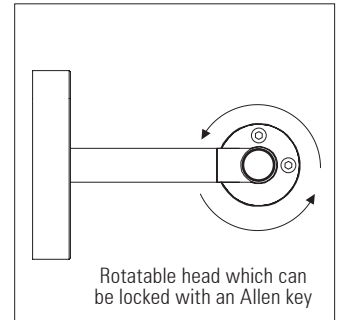
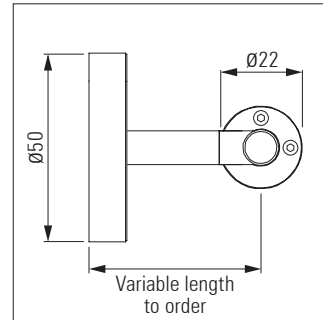
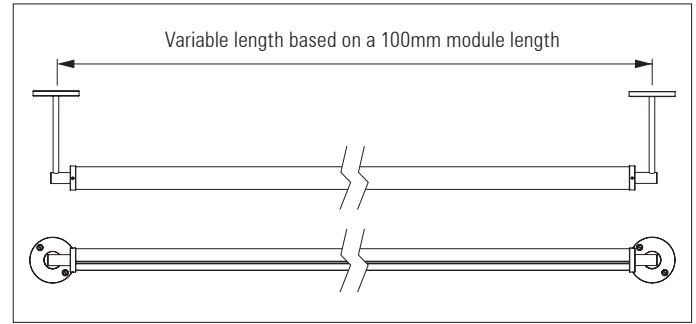
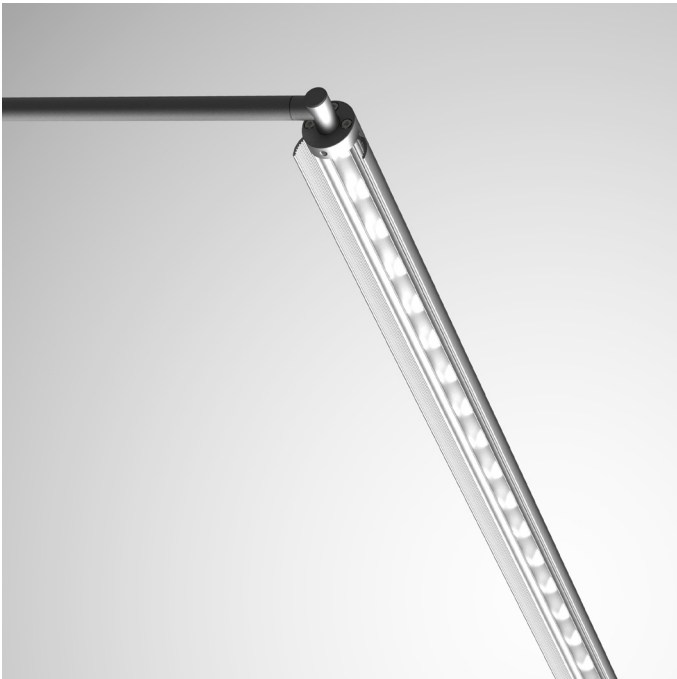


Flaplight Micro System IP20

LED Linear display lighting system



Flaplight Micro System IP20

LED linear display lighting system

Product description:

Interior linear display and picture lighting applications including museums, galleries and retail

Medium power 0.3 Watt Osram, Samsung or Luminus LEDs

The extruded head incorporates adjustable and lockable hinged flaps to control glare and cut off to ensure excellent visual comfort

The head can rotate between the fixing brackets and can be locked at the correct aiming angle with an Allen key

A linear lens can be used giving excellent beam control, or a dot free opal cover for a softer diffuse lit effect

Integral DC to DC low voltage linear drivers. Remote 30V DC or 24V DC power supply

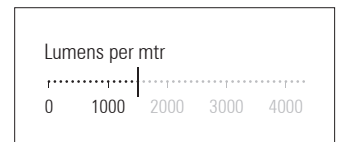
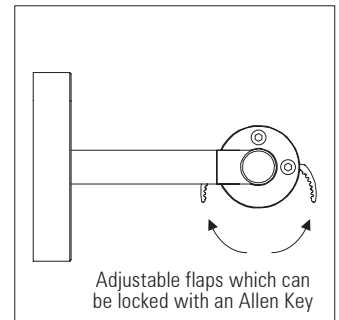
20 Watts per Mtr

Dimming options available: 1-10V, DMX and DALI. Separate dimming channel

Radiant can supply this system in custom lengths based on a 100 mm module up to 2.5 Mtrs

Anodized, plated or any RAL paint colour finish

* RGB, RGBW, RGBA and Dynamic-white options do not use a colour mixing lens



Product Code	No. of LEDs per mtr.	IP	Length (mm)	LED Type	Optics	Colour Temp. (K)	CRI	Cover	Bracket Type	Finish
RAD FLAPLIGHT MICRO IP20	62 LEDs per Mtr: 16mm pitch	20	200mm -increments of 100mm up to- 2,500mm	0.3W LEDs: Osram Samsung Luminus	120° Linear lens	27=2,700k 30=3,000k 35=3,500k 40=4,000k 45=4,500k 50=5,000k * RGB * RGBW * RGBA * Dynamic white	80 90	Clear Opal Frosted	Wall mount Pendant Custom	Powder coat: Black White Any RAL colour Anodized Plated Polished Satin