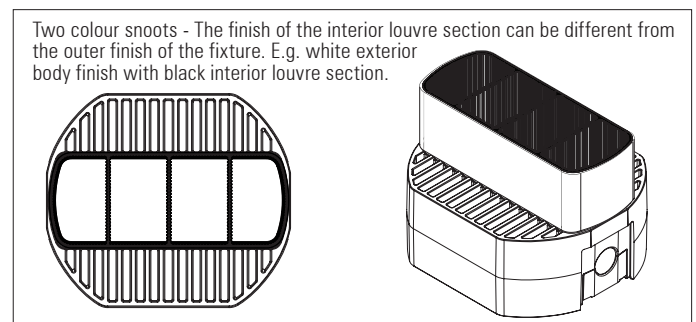
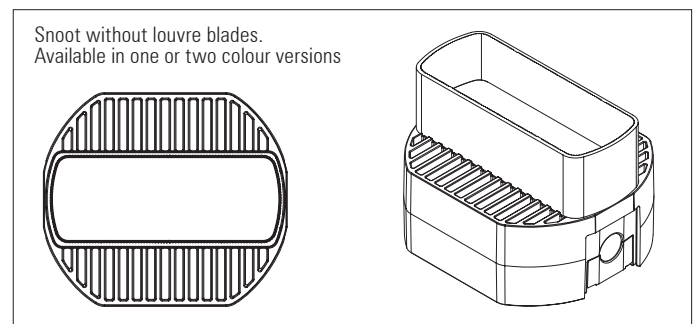
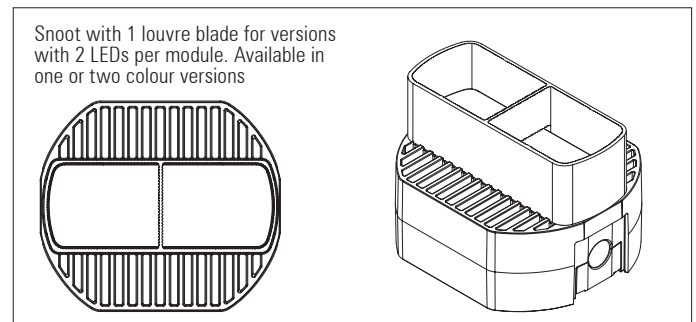
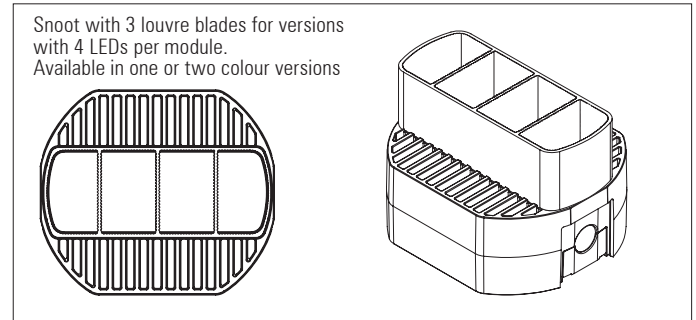
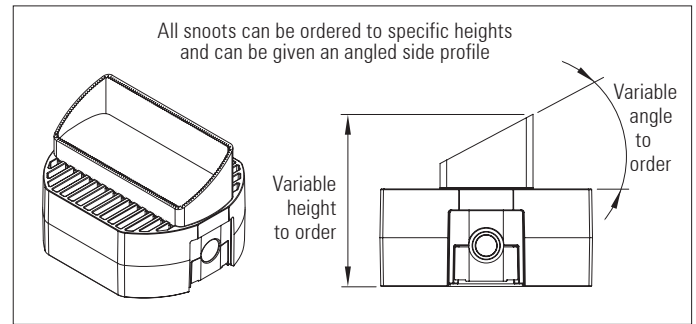


3D LED FLEX 100 anti-glare accessories

Anti-glare snoots for the 3D LED FLEX 100 system IP20

Modular, flexible LED linear lighting system



3D LED FLEX 100 anti-glare accessories

Anti-glare accessories for the 3D LED Flex 100 system IP20

Product description:

For use with the 3D LED Flex 100 system to control light glare from the LEDs when the fixtures are not fully recessed

3 blade, 1 blade and no blade snoots are available for lensed and non lensed versions, and for when the modules have 1, 2 or 4 LEDs

Satin black, satin white or any RAL paint colour finish. Two colour versions are also available - eg. white finish on exterior & black finish on interior of snoot. Both interior and exterior parts can be any RAL colour paint finish, or any anodised finish

Custom height to order. Straight or any custom cut angle side-profile to order

Product Code	No. of blades	IP	Height (mm)	Cut angle of side-profile (°)	Finish
RAD 3D LED FLEX 100 SNOOT	0 1 3	20	20mm -increments of 5 mm up to- 80mm	0° -increments of 5° up to- 75°	Black White Any RAL- colour
RAD 3D LED FLEX 100 COB SNOOT	NA				Two colour snoots: both parts can be any anodised or any RAL-colour

