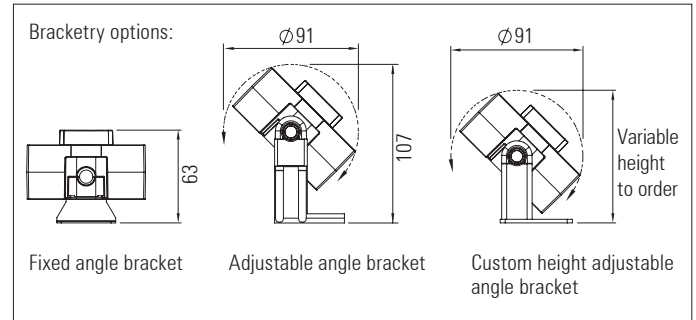
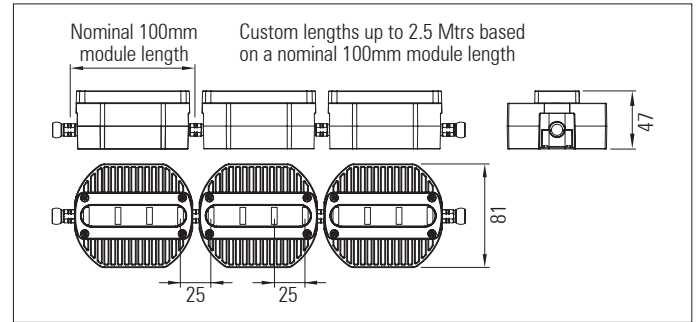


## 3D LED Flex system 100 IP66

28 x 0.3 Watt medium power LEDs with white reflector per module

Modular, 3D flexible LED linear lighting system



### 28 x 0.3 Watt medium power LEDs with white reflector per module

Modular, 3D flexible LED linear lighting system

#### Product description:

For use in exterior indirect cove lighting applications where the building surfaces are non linear with curved profiles

Each module - 28 x 0.3 Watt Osram, Samsung or Luminus LEDs

Up to 10 Watts per 100mm module

48 Volt DC supply

High efficiency white reflector

Flexible in 3 dimensions - Articulated ball-joint system between modules

LED pitch is maintained between the modules

Side, back and end power feed options - continuous lighting between strips

Integral LV constant current driver

16 Amp IP67 connectors join strips together on-site

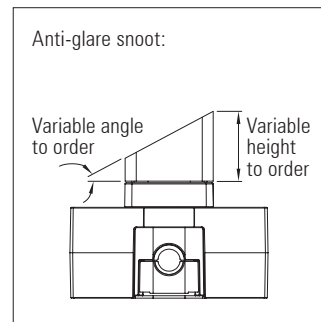
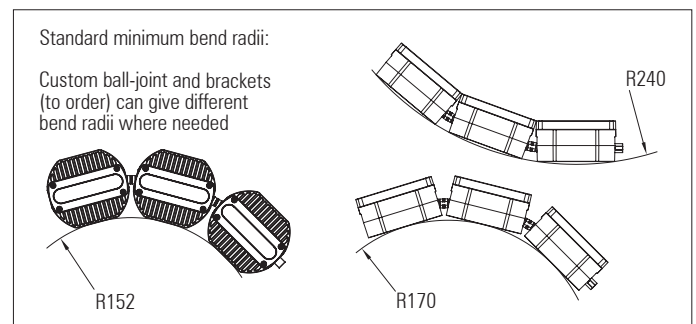
Dimming options available: 1-10V, DMX and DALI. Separate dimming channel

Various LED colour temperature and CRI options available

Satin black, satin white or any RAL paint colour finish

Custom lengths based on a 100 mm module up to 2.5 mtrs

Various mounting options and bracket types are available



Up to 6,700 Lumens per Mtr

EN 60598

CE

Product Code	No. of LEDs per mtr.	IP	Length (mm)	LED Type	Optics (°)	Colour Temp. (K)	CRI	Cover	Bracket Type	Feed	Finish
RAD 3D LED FLEX 100 IP66 0.3W - 28	280 LEDs per Mtr: 25mm pitch between each array of 7 LEDs	66	100mm -increments of 100mm up to- 2,500mm	0.3W LEDs:  Osram Samsung Luminus	110°	27=2,700k 30=3,000k 35=3,500k 40=4,000k 45=4,500k 50=5,000k Dynamic white	80 90	Clear Frosted	Adjustable Fixed Custom	End Back Side	Black White Any RAL- colour