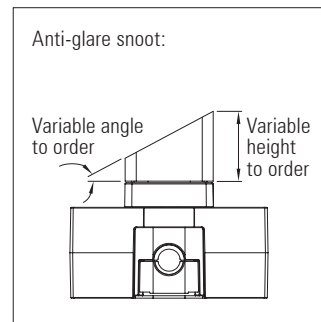
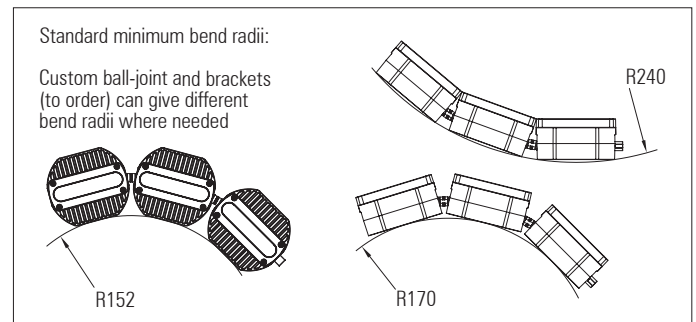
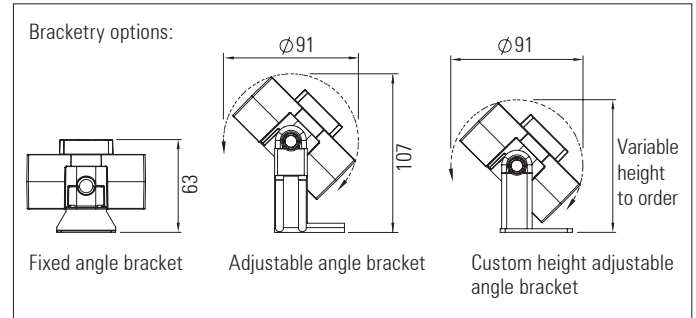
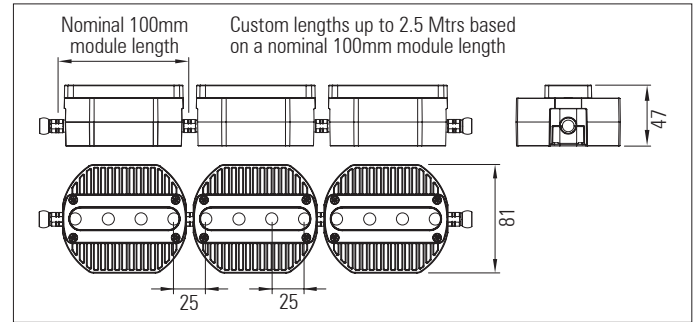


## 3D LED Flex system 100 IP66

2, 3 or 4 x high power LEDs with lenses per module

Modular, 3D flexible LED linear lighting system



Up to 6,700 Lumens per Mtr

### 2, 3 or 4 x high power LEDs with lenses per module

Modular, 3D flexible LED linear lighting system

#### Product description:

For use in exterior indirect cove lighting or direct wall washing applications where the building surfaces are non linear with curved profiles

Each module - 2, 3 or 4 x Cree XP-E, XP-G or XQ-E LEDs or Osram Oslon LEDs with Ledil Lisa, Larisa, Tina or Veronica Mini lenses

Up to 10 Watts per 100mm module

30 Volt - 48 Volt DC supply depending on application

Flexible in 3 dimensions - Articulated ball-joint system between modules

LED pitch is maintained between the modules

Side, back and end power feed and connector options allow for continuous lighting with no dark areas between fixtures. 17.5 Amp IP68 connectors join fixtures together on-site

Integral LV constant current driver

Dimming options available: 1-10V, DMX and DALI. Separate dimming channel

Various LED colour temperature and CRI options available

Satin black, satin white or any RAL paint colour finish

Custom lengths based on a 100 mm module up to 2.5 mtrs

Various mounting options and bracket types are available

Low iron UV block glass covers or UV stable polycarbonate windows

\* RGB, RGBW, RGBA and Dynamic-white options do not use a colour mixing lens. For a colour mixing lens version see the data sheet for the 3D LED Flex 100 IP66 with 1 x RGBW LED array with colour-blending lens per module

Product Code	No. of LEDs per mtr.	IP	Length (mm)	LED Type	CRI	Colour Temp. (K)	Optics (°)	Cover	Bracket Type	Feed	Finish
RAD 3D LED FLEX 100 IP66 HP - 4 L	40 LEDs per Mtr: 25mm pitch	66	100mm	Cree: XP-E XP-G XQ-E	80 90	27=2,700k 30=3,000k 35=3,500k 40=4,000k 45=4,500k 50=5,000k	Ledil Lisa2 lens & Cree XP-E LED: 16°, 24°, 37°, 42°, 18 x 48°, 84°	Clear	Adjustable Fixed Custom	End Back Side	Black White Any RAL-colour
RAD 3D LED FLEX 100 IP66 HP-3 L	30 LEDs per Mtr: 33mm pitch		-increments of 100mm up to-	Osram: Oslon		* RGB * RGBW * RGBA * Dynamic white	(Guide figures - see Ledil website for more options)				
RAD 3D LED FLEX 100 IP66 HP - 2 L	20 LEDs per Mtr: 50mm pitch		2,500mm								