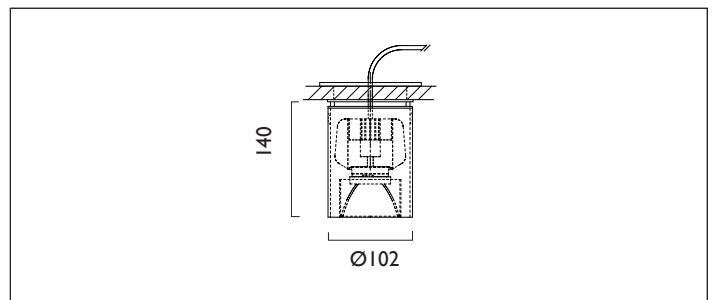




CIVIC X102

CIVIC X102 with Xicato LED surface mounted downlighter with deep cone reflector finished in specular silver, and white casing. Driver mounted remotely. Overall diameter 102mm.

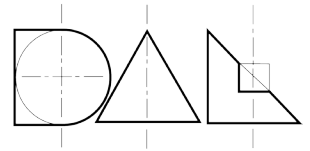
For lumen output/power, colour temperature and protocols an appropriate Light Engine should also be specified.



Product Number	C9321/*Engine
Lamp Type	Xicato LED, Up to 1300 lumens
Reflector	Specular Silver
Beam Angle	20°
Construction	Aluminium / Steel
Finish	White RAL 9010
IP	IP20
Control	Driver

*Light Engine Specification					
Xicato XTM1300 (720-1300 lm), 50,000 hours					
07A	---	720 lm	5.6W	129 lm/w	350mA
09A	---	965 lm	8.2W	118 lm/w	500mA
13A	---	1300 lm	11.7W	111 lm/w	700mA
2700K	2	<ul style="list-style-type: none"> 0 No Emergency E Maintained Emergency N Non Maintained 	<ul style="list-style-type: none"> 0 Fixed Output 1 1-10V 3 DSI 5 DALI 7 Lead / Trailing 9 Addressable 		
3000K	3				
3500K	4				
4000K	5				

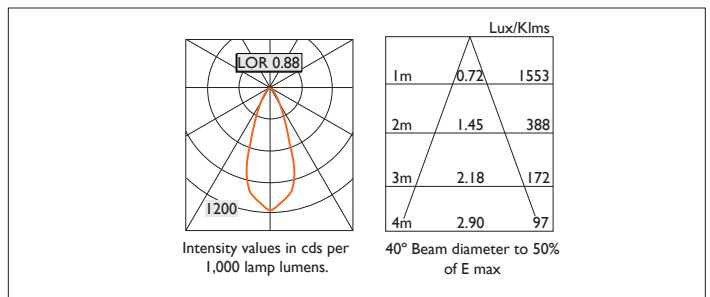
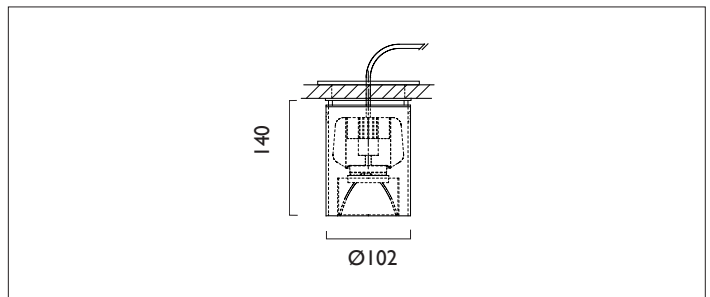




CIVIC X102

CIVIC X102 with Xicato LED surface mounted downlighter with deep cone reflector finished in specular silver; and white casing. Driver mounted remotely. Overall diameter 102mm.

For lumen output/power, colour temperature and protocols an appropriate Light Engine should also be specified.



Product Number	C9341/*Engine
Lamp Type	Xicato LED, Up to 1300 lumens
Reflector	Specular Silver
Beam Angle	40°
Construction	Aluminium / Steel
Finish	White RAL 9010
IP	IP20
Control	Driver

***Light Engine Specification**

Xicato XTM1300 (720-1300 lm), 50,000 hours

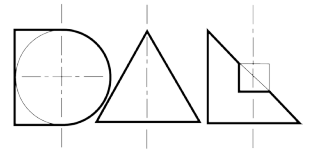
Model	Beam Angle	Lumen Output (lm)	Power (W)	Efficiency (lm/w)	Current (mA)
07A	---	720	5.6W	129	350mA
09A	---	965	8.2W	118	500mA
13A	---	1300	11.7W	111	700mA

2700K 2 }
 3000K 3 }
 3500K 4 }
 4000K 5 }

- 0 No Emergency
- E Maintained Emergency
- N Non Maintained

- 0 Fixed Output
- 1 1-10V
- 3 DSI
- 5 DALI
- 7 Lead / Trailing
- 9 Addressable

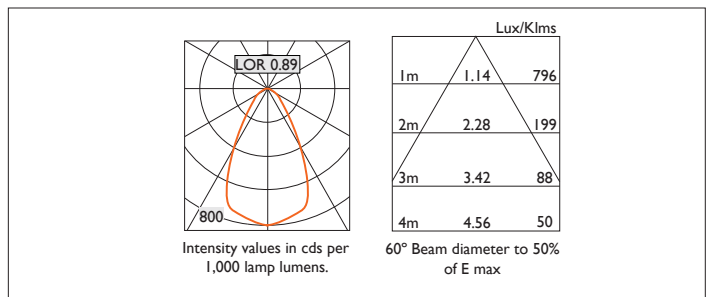
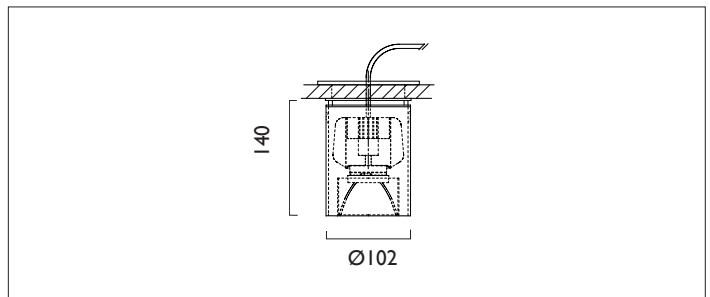




CIVIC X102

CIVIC X102 with Xicato LED surface mounted downlighter with deep cone reflector finished in specular silver, and white casing. Driver mounted remotely. Overall diameter 102mm.

For lumen output/power, colour temperature and protocols an appropriate Light Engine should also be specified.



Product Number	C9361/*Engine
Lamp Type	Xicato LED, Up to 1300 lumens
Reflector	Specular Silver
Beam Angle	60°
Construction	Aluminium / Steel
Finish	White RAL 9010
IP	IP20
Control	Driver

***Light Engine Specification**

Xicato XTM1300 (720-1300 lm), 50,000 hours

Model	Beam Angle	LM	W	lm/w	mA
07A	---	720 lm	5.6W	129 lm/w	350mA
09A	---	965 lm	8.2W	118 lm/w	500mA
13A	---	1300 lm	11.7W	111 lm/w	700mA

2700K 2 }
 3000K 3 }
 3500K 4 }
 4000K 5 }

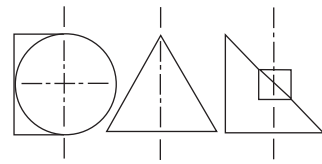
0 No Emergency
 E Maintained Emergency
 N Non Maintained

0 Fixed Output
 1 1-10V
 3 DSI
 5 DALI
 7 Lead / Trailing
 9 Addressable



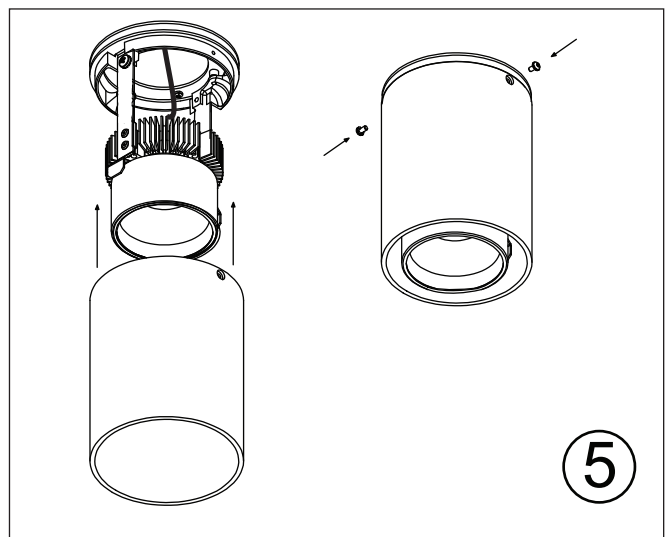
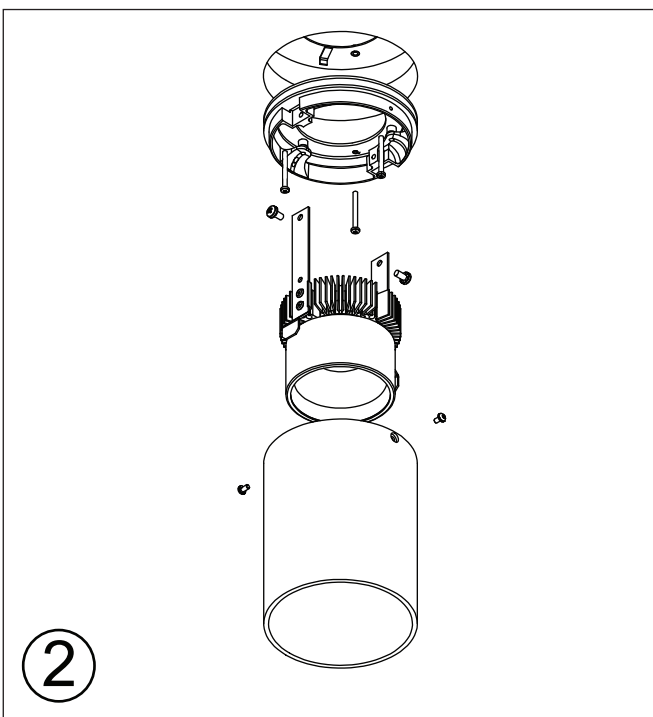
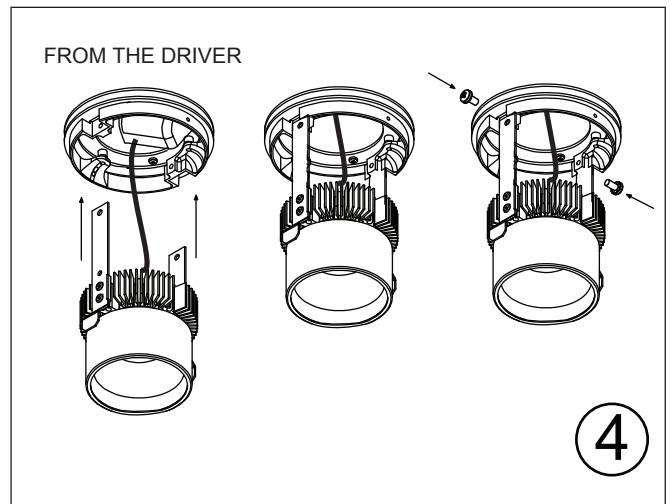
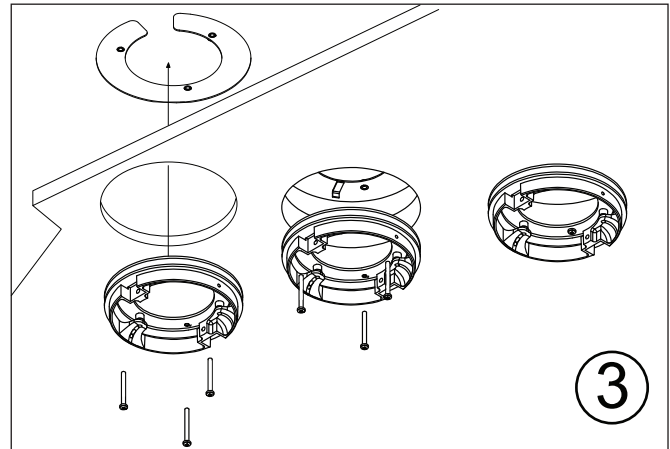
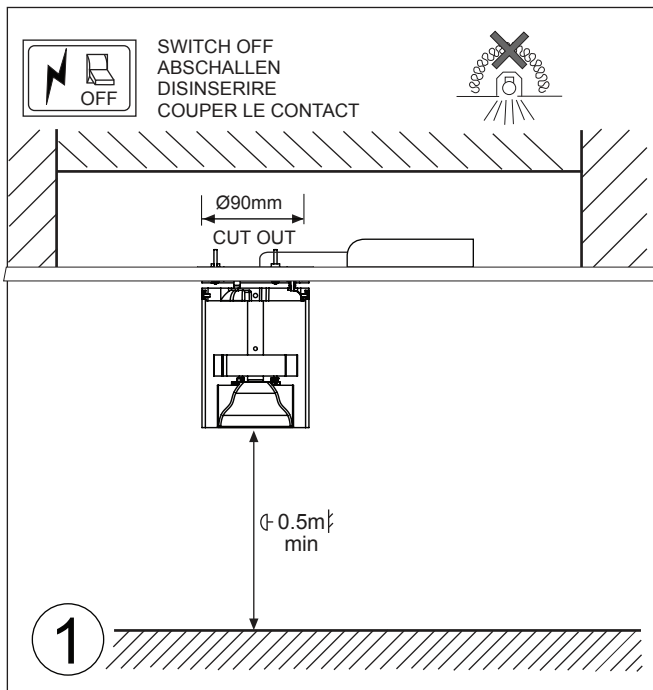
Civic X102

Installation and Maintenance Procedure



PRODUCT REF:-
C93XX SERIES
C94XX SERIES

Country of origin
United Kingdom
WEE/EA0290TY
IP20 220-240V~50/60 HZ



- IP20 DO NOT OPERATE IN DAMP OR CORROSIVE SITUATIONS.
- **WARNING**, SWITCH OFF MAINS BEFORE INSTALLING, OR SERVICING.
- RETAIN PROCEDURE FOR FUTURE USE.

R0-301115

DESIGNED ARCHITECTURAL LIGHTING CO LTD, 6 CONQUEROR COURT, SPILSBY ROAD, HAROLD HILL, ESSEX RM3 8SB, TELEPHONE +44 (0) 1708 381999 FAX+44 (0) 1708 381585 E-MAIL sales@dal-uk.com