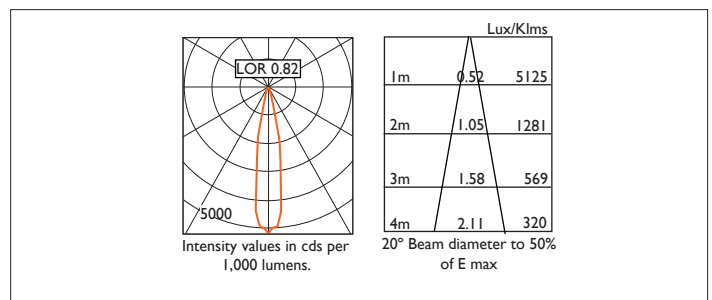
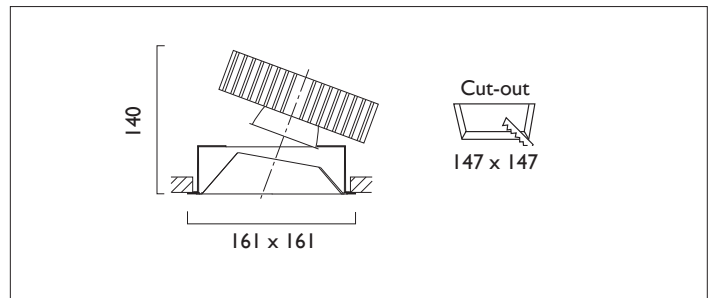




SQUARE X161 DIRECTIONAL

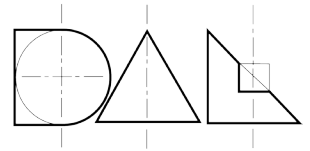
SQUARE X161 with Xicato LED recessed directional downlighter with deep cone reflector finished in semi specular silver; and white ceiling trim. Overall size 161 x 161mm, cut out 147 x 147mm.



Product Number	C8927/*Engine
Lamp Type	Xicato LED, Up to 2000 lumens
Reflector	Semi-Specular
Beam Angle	20°
Construction	Aluminium / Steel
Ceiling Trim	White RAL 9010
IP	IP20
Control	Driver

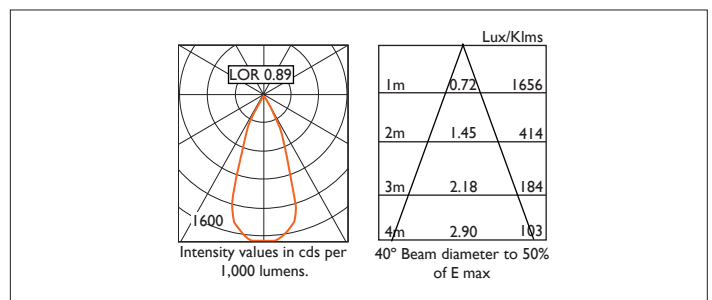
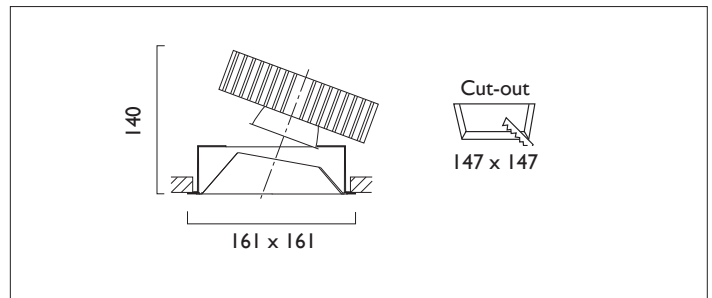
*Please refer to Engine Specification Page





SQUARE X161 DIRECTIONAL

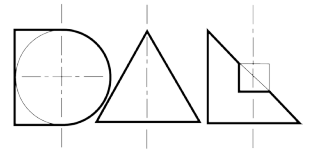
SQUARE X161 with Xicato LED recessed directional downlighter with deep cone reflector finished in semi specular silver; and white ceiling trim. Overall size 161 x 161mm, cut out 147 x 147mm.



Product Number	C8947/*Engine
Lamp Type	Xicato LED, Up to 2000 lumens
Reflector	Semi-Specular
Beam Angle	40°
Construction	Aluminium / Steel
Ceiling Trim	White RAL 9010
IP	IP20
Control	Driver

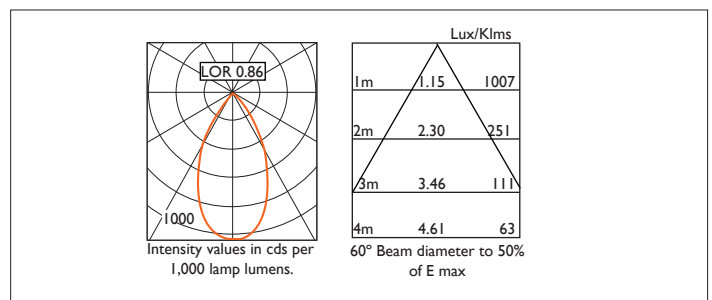
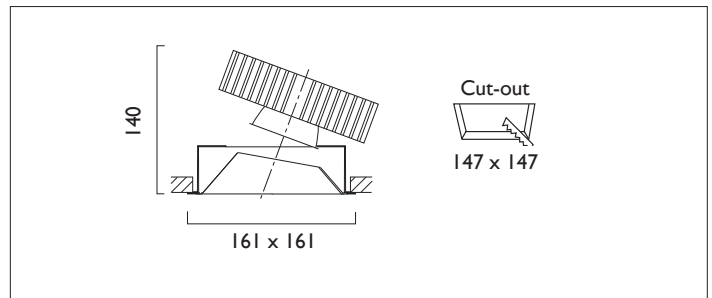
*Please refer to Engine Specification Page





SQUARE X161 DIRECTIONAL

SQUARE X161 with Xicato LED recessed directional downlighter with deep cone reflector finished in semi specular silver; and white ceiling trim. Overall size 161 x 161mm, cut out 147 x 147mm.



Product Number	C8967/*Engine
Lamp Type	Xicato LED, Up to 2000 lumens
Reflector	Semi-Specular
Beam Angle	60°
Construction	Aluminium / Steel
Ceiling Trim	White RAL 9010
IP	IP20
Control	Driver

*Please refer to Engine Specification Page

