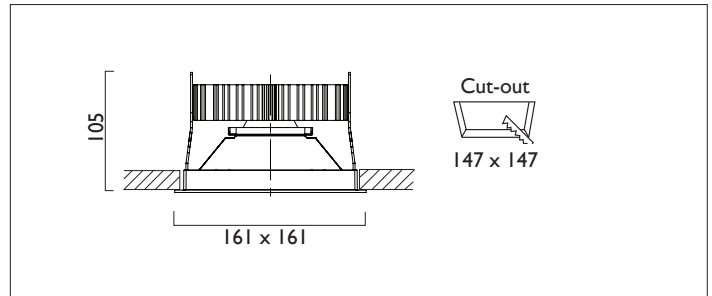
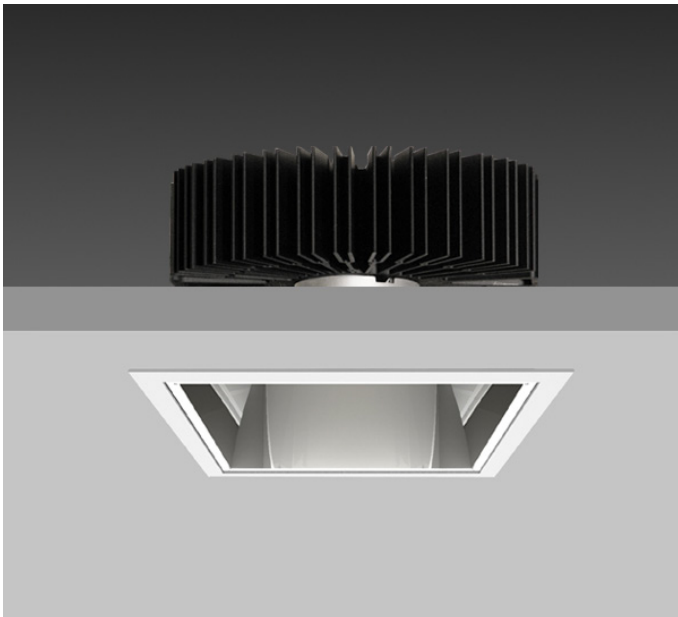


SQUARE X161 IP44

SQUARE X161 with Xicato LED recessed downlighter with deep cone reflector finished in specular silver, clear glass cover and white ceiling trim. Overall size 161 x 161mm, cut out 147 x 147mm.



Product Number	C8827/*Engine
Lamp Type	Xicato LED, Up to 3000 lumens
Reflector	Specular Silver
Beam Angle	20°
Construction	Aluminium / Steel / Glass
Ceiling Trim	White RAL 9010
IP	IP44
Control	Driver

*Light Engine Specification

Xicato XTM L80 50,000 hours Ra80

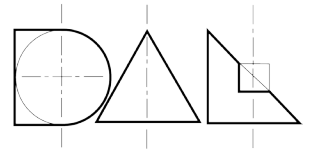
11A	1105 lm	9.3W	119lm/w	350mA
14A	1490 lm	13.6W	110 lm/w	500mA
20A	2000 lm	19.5W	102 lm/w	700mA

30A	3000 lm	29.3W	102m/w	1050mA
-----	---------	-------	--------	--------

2700K	2	<ul style="list-style-type: none"> 0 No Emergency E Maintained Emergency
3000K	3	
3500K	4	
4000K	5	

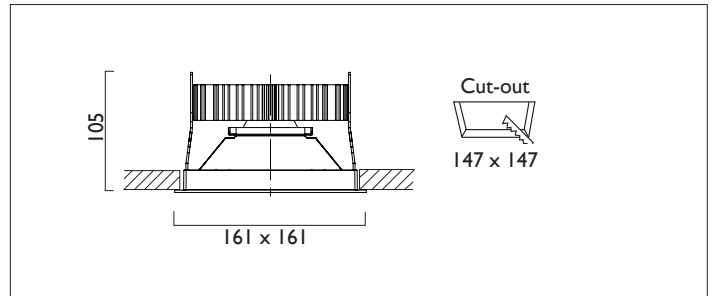
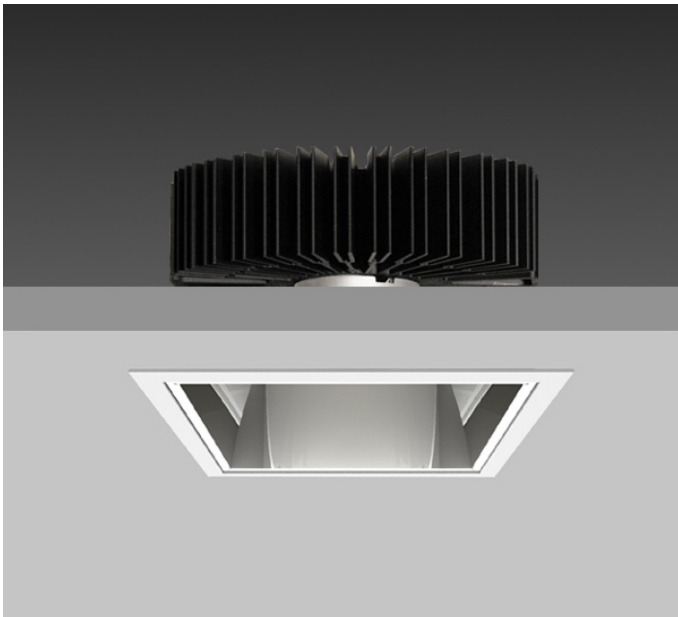
EN 60598-1
WEE/AE0290TY





SQUARE X161 IP44

SQUARE X161 with Xicato LED recessed downlighter with deep cone reflector finished in specular silver, clear glass cover and white ceiling trim. Overall size 161 x 161mm, cut out 147 x 147mm.



Product Number	C8847/*Engine
Lamp Type	Xicato LED, Up to 3000 lumens
Reflector	Specular Silver
Beam Angle	40°
Construction	Aluminium / Steel / Glass
Ceiling Trim	White RAL 9010
IP	IP44
Control	Driver

*Light Engine Specification

Xicato XTM L80 50,000 hours Ra80

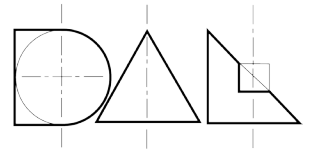
11A	1105 lm	9.3W	119lm/w	350mA
14A	1490 lm	13.6W	110 lm/w	500mA
20A	2000 lm	19.5W	102 lm/w	700mA

30A	3000 lm	29.3W	102m/w	1050mA
-----	---------	-------	--------	--------

2700K	2	<ul style="list-style-type: none"> 0 No Emergency E Maintained Emergency
3000K	3	
3500K	4	
4000K	5	

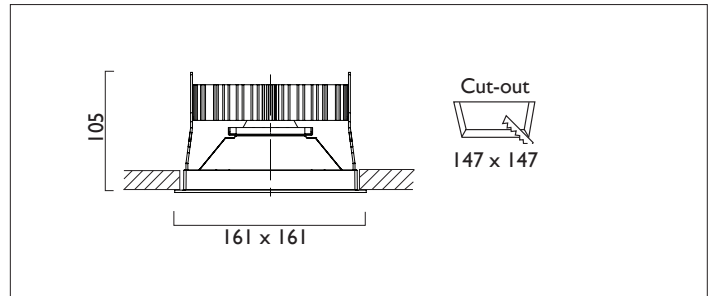
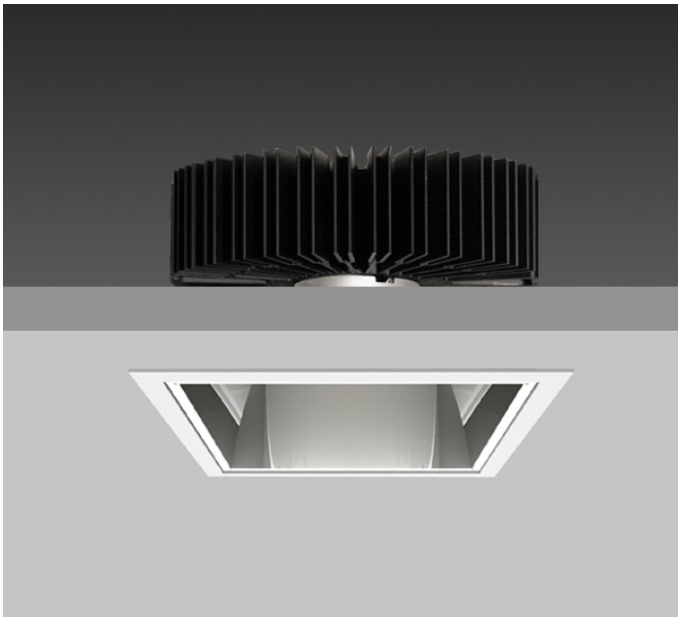
EN 60598-1
WEE/AE0290TY





SQUARE X161 IP44

SQUARE X161 with Xicato LED recessed downlighter with deep cone reflector finished in specular silver, clear glass area and white ceiling trim. Overall size 161 x 161mm, cut out 147 x 147mm.



Product Number	C8867/*Engine
Lamp Type	Xicato LED, Up to 2000 lumens
Reflector	Specular Silver
Beam Angle	60°
Construction	Aluminium / Steel / Glass
Ceiling Trim	White RAL 9010
IP	IP44
Control	Driver

*Light Engine Specification

Xicato XTM L80 50,000 hours Ra80

11A	1105 lm	9.3W	119lm/w	350mA
14A	1490 lm	13.6W	110 lm/w	500mA
20A	2000 lm	19.5W	102 lm/w	700mA

30A	3000 lm	29.3W	102m/w	1050mA
-----	---------	-------	--------	--------

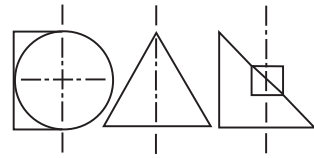
2700K	2	<ul style="list-style-type: none"> 0 No Emergency E Maintained Emergency
3000K	3	
3500K	4	
4000K	5	

EN 60598-1
WEE/AE0290TY



Square X161

Installation and Maintenance Procedure



PRODUCT NUMBER:
C87XX SERIES - IP20
C88XX SERIES - IP44

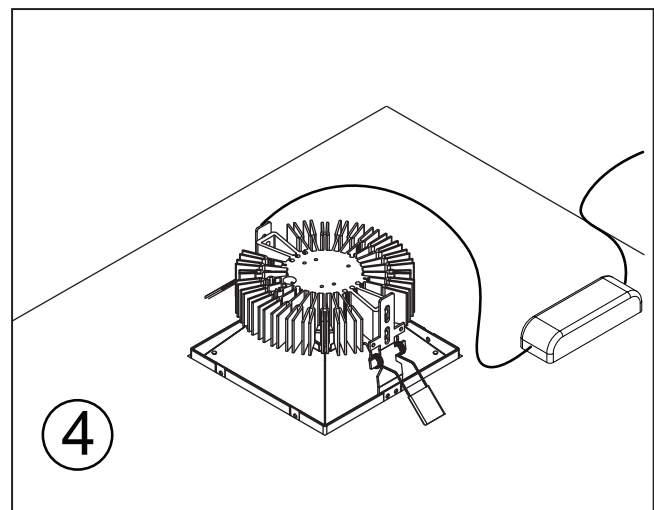
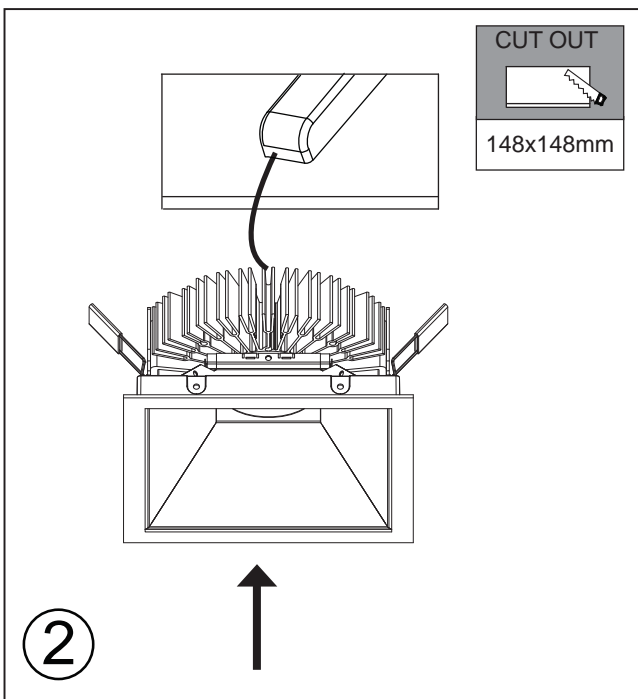
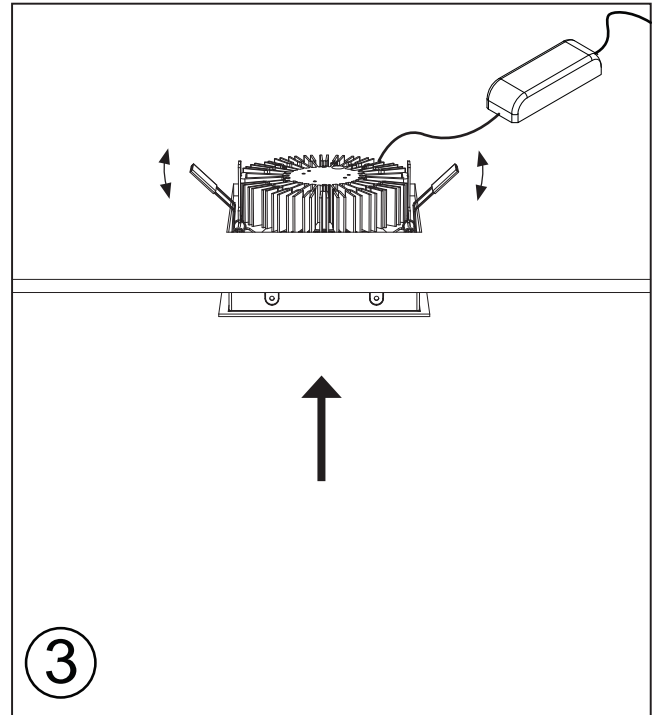
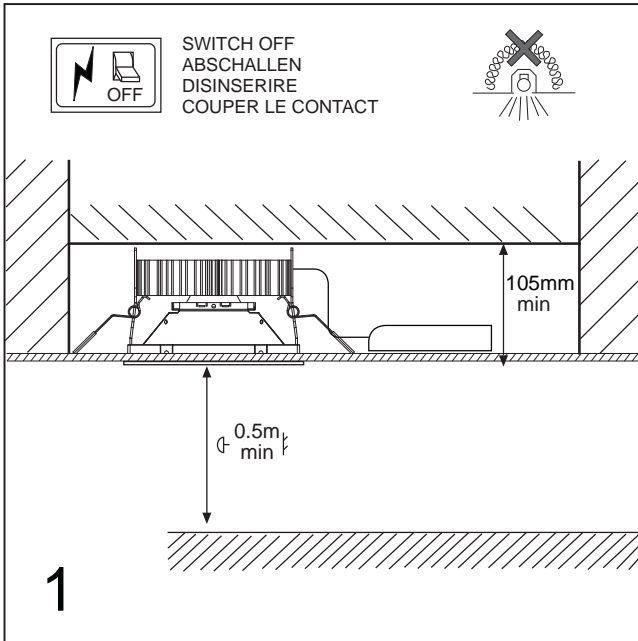
Country of origin
United Kingdom
WEE/EA0290TY
LUMICOM
MEMBER







ALL LED PRODUCTS REQUIRE THE USE OF A SUITABLE RATED DRIVER (SUPPLIED).

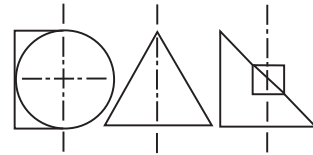


- IP20 VERSION DO NOT OPERATE IN DAMP OR CORROSIVE SITUATIONS.
- **WARNING**, SWITCH OFF MAINS BEFORE INSTALLING, OR SERVICING.
- RETAIN PROCEDURE FOR FUTURE USE.

R0-260216

DESIGNED ARCHITECTURAL LIGHTING CO LTD, 6 CONQUEROR COURT, SPILSBY ROAD, HAROLD HILL, ESSEX RM3 8SB, TELEPHONE +44 (0) 1708 381999 FAX+44 (0) 1708 381585 E-MAIL sales@dal-uk.com

General Installation and Maintenance Procedure for Designed Architectural Lighting Luminaires



General Information

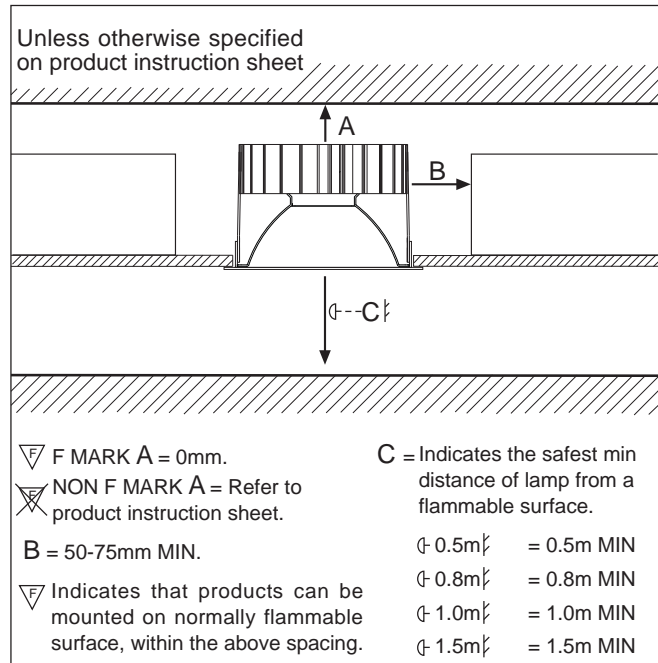
- Follow instruction sheet to ensure safe and reliable operation of product. Retain for future reference.
- The product should NOT be modified. Any modification will negate the safety mark/approvals, and may render the product unsafe.
- DAL accepts no responsibility for modified products. Modifications includes devices fitted between the lamp and lamp holder.
- All replacement component should be identical with those replaced. Disposal to be as manufacturer's instructions.
- DAL track luminaire must only be used on DAL track system or equivalent for which they are designed.

Installation and Supply

- Unless specified otherwise, all products are IP20 (ordinary). DO NOT operate in damp or corrosive situations.
- Disconnect from mains supply before; Intallation, maintenance or replacing fuse or lamp. Care must be taken when drilling holes near existing installation wiring, to avoid electric shock.
- Metal enclosed, Class II and Class III products must not be mounted in contact with or close to Earthed metal work, e.g. structural system of suspended ceilings.
- S.E.L.V. - To be used with Double Insulated. Extra Low Voltage, Safety Isolating Transformer or Driver only.
- When dimming is required, low voltage fittings should only be operated by a specifically rated dimmer.
- DAL accepts no responsibility for the effects of corrosive element in the installation/atmosphere.
- Any closure or ceiling void which prevents normal heat dissipation may cause reduced performance, over-heating and risk of fire.

Maintenance

- Only lamps of correct type and rating should be used, and fully and correctly inserted into the lampholder. Manufacturers instructions should be complied with.
- Certain lamp types (Metal Halide / Tungsten Halogen) reach maximum temperature rapidly. Care must be taken when adjusting or relamping.
- Metal Halide Lamps - Replace failed lamps promptly to avoid ballast damage.
- Replace all cracked or damaged safety glass immediately.
- Regular and careful cleaning is required to ensure optimum performance and safety. Designed Architectural Lighting accepts no responsibility for the effect of solvents used when installing, servicing or re-decorating the surround, or for the accumulation of dust and dirt.



<h3>CLASS I</h3> <p>t = * C</p> <p>THIS CLASS MUST BE EARTHED</p>	<h3>LEGEND</h3> <p>P/L - BROWN / L / COLOUR RED N - BLUE / N / COLOUR BLACK ⊕ - GREEN / YELLOW / EARTH E / ⊕ / COLOUR GREEN</p> <p>* TEMPERATURE RATING OF CABLE</p>
---	--

<h3>CLASS II □</h3> <p>DOUBLE INSULATED</p> <p>t = * C</p> <p>DO NOT USE ⊕ TERMINAL</p>	<h3>LEGEND</h3> <p>P/L - BROWN / L / COLOUR RED N - BLUE / N / COLOUR BLACK ⊕ - GREEN / YELLOW / EARTH E / ⊕ / COLOUR GREEN</p> <p>* TEMPERATURE RATING OF CABLE</p>
---	--

<h3>CLASS III ⬠</h3> <p>LOW VOLTAGE</p> <p>t = * C</p> <p>DO NOT USE ⊕ TERMINAL</p>	<h3>LEGEND</h3> <p>P/L - BROWN / L / COLOUR RED N - BLUE / N / COLOUR BLACK ⊕ - GREEN / YELLOW / EARTH E / ⊕ / COLOUR GREEN V - 6V / 12V / 24V / 48V AS INDICATED</p> <p>* TEMPERATURE RATING OF CABLE</p>
---	---

R2-010715