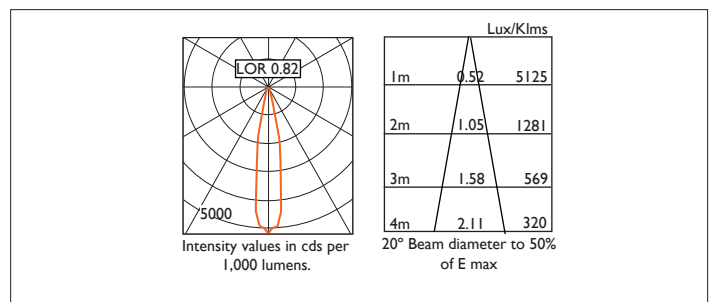
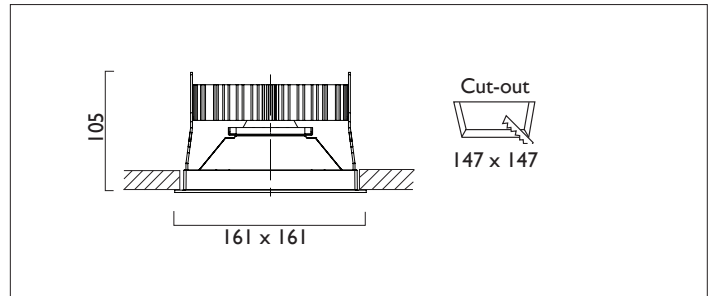
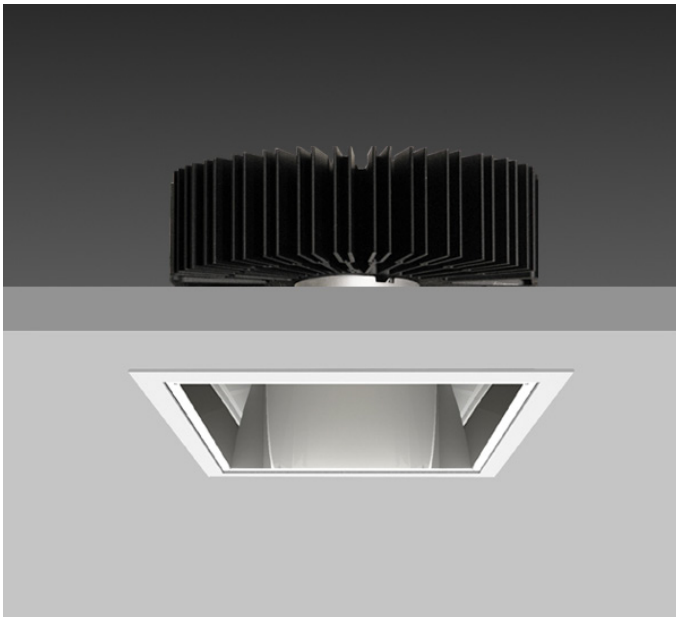




SQUARE X161

SQUARE X161 with Xicato LED recessed downlighter with deep cone reflector finished in specular silver, and white ceiling trim. Overall size 161 x 161 mm, cut out 147 x 147 mm.



| | |
|----------------|-------------------------------|
| Product Number | C8727/*Engine |
| Lamp Type | Xicato LED, Up to 3000 lumens |
| Reflector | Specular Silver |
| Beam Angle | 20° |
| Construction | Aluminium / Steel |
| Ceiling Trim | White RAL 9010 |
| IP | IP20 |
| Control | Driver |

*Light Engine Specification

Xicato XTM L80 50,000 hours Ra80

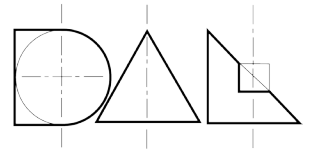
| | | | | |
|-----|---------|-------|----------|-------|
| 11A | 1105 lm | 9.3W | 119lm/w | 350mA |
| 14A | 1490 lm | 13.6W | 110 lm/w | 500mA |
| 20A | 2000 lm | 19.5W | 102 lm/w | 700mA |

| | | | | |
|-----|---------|-------|--------|--------|
| 30A | 3000 lm | 29.3W | 102m/w | 1050mA |
|-----|---------|-------|--------|--------|

| | | |
|-------|---|--|
| 2700K | 2 | <ul style="list-style-type: none"> 0 No Emergency E Maintained Emergency |
| 3000K | 3 | |
| 3500K | 4 | |
| 4000K | 5 | |
| | | |

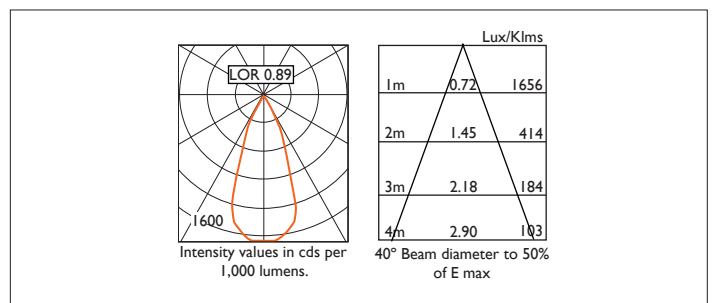
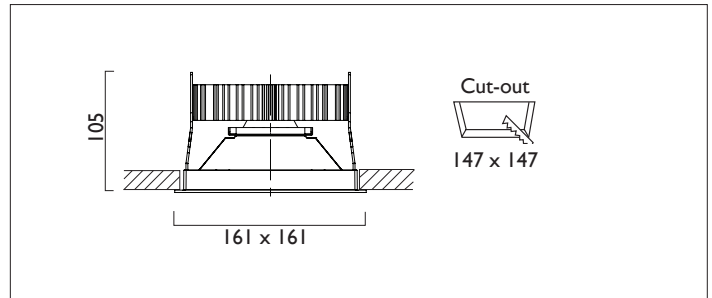
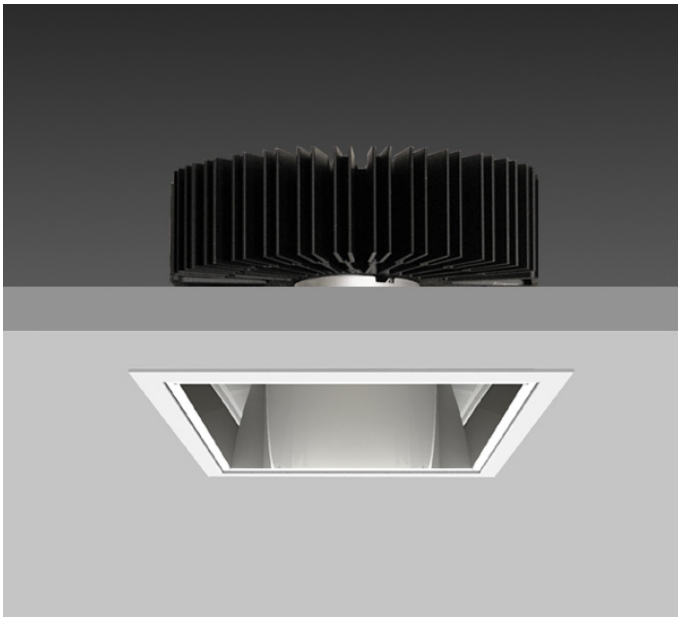
EN 60598-1
WEE/AE0290TY





SQUARE X161

SQUARE X161 with Xicato LED recessed downlighter with deep cone reflector finished in specular silver, and white ceiling trim. Overall size 161 x 161 mm, cut out 147 x 147 mm.



| | |
|----------------|-------------------------------|
| Product Number | C8747/*Engine |
| Lamp Type | Xicato LED, Up to 3000 lumens |
| Reflector | Specular Silver |
| Beam Angle | 40° |
| Construction | Aluminium / Steel |
| Ceiling Trim | White RAL 9010 |
| IP | IP20 |
| Control | Driver |

*Light Engine Specification

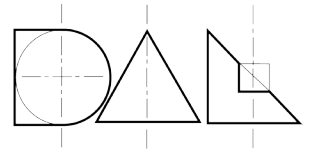
Xicato XTM L80 50,000 hours Ra80

| | | | | |
|-----|---------|-------|----------|--------|
| 11A | 1105 lm | 9.3W | 119lm/w | 350mA |
| 14A | 1490 lm | 13.6W | 110 lm/w | 500mA |
| 20A | 2000 lm | 19.5W | 102 lm/w | 700mA |
| 30A | 3000 lm | 29.3W | 102m/w | 1050mA |

| | | |
|-------|---|--|
| 2700K | 2 | <ul style="list-style-type: none"> 0 No Emergency E Maintained Emergency |
| 3000K | 3 | |
| 3500K | 4 | |
| 4000K | 5 | |
| | | |

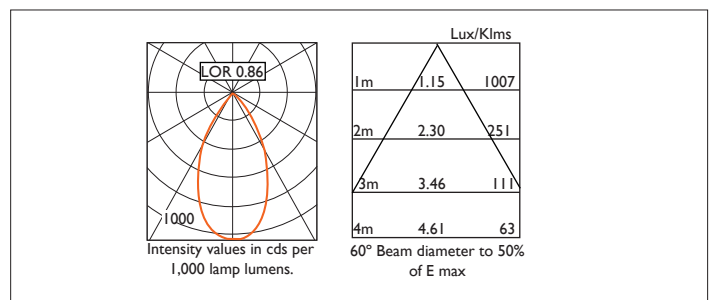
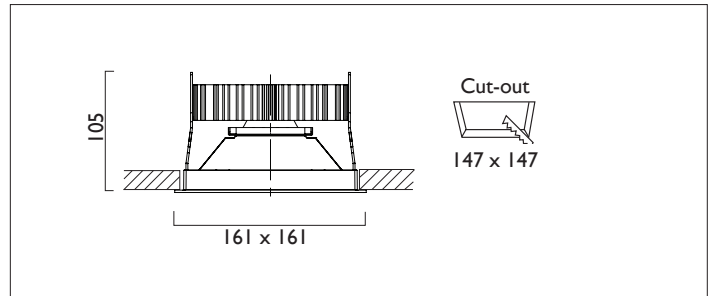
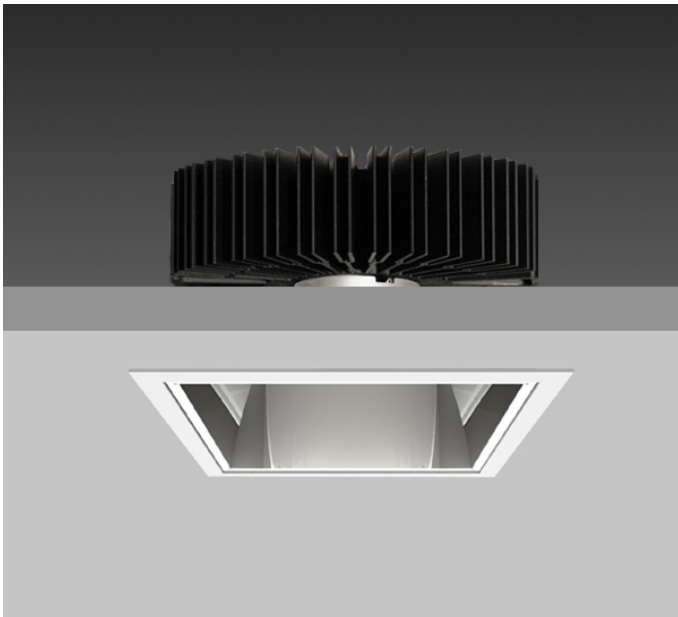
EN 60598-1
WEE/AE0290TY





SQUARE X161

SQUARE X161 with Xicato LED recessed downlighter with deep cone reflector finished in specular silver, and white ceiling trim. Overall size 161 x 161 mm, cut out 147 x 147 mm.



| | |
|----------------|-------------------------------|
| Product Number | C8767/*Engine |
| Lamp Type | Xicato LED, Up to 3000 lumens |
| Reflector | Specular Silver |
| Beam Angle | 60° |
| Construction | Aluminium / Steel |
| Ceiling Trim | White RAL 9010 |
| IP | IP20 |
| Control | Driver |

*Light Engine Specification

Xicato XTM L80 50,000 hours Ra80

| | | | | |
|-----|---------|-------|----------|--------|
| 11A | 1105 lm | 9.3W | 119lm/w | 350mA |
| 14A | 1490 lm | 13.6W | 110 lm/w | 500mA |
| 20A | 2000 lm | 19.5W | 102 lm/w | 700mA |
| 30A | 3000 lm | 29.3W | 102m/w | 1050mA |

2700K 2

3000K 3

3500K 4

4000K 5

0 No Emergency

E Maintained Emergency

0 Fixed Output

1 I-10V

3 DSI

5 DALI

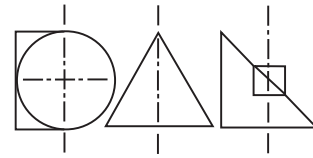
7 Lead / Trailing

9 Addressable



Square X161

Installation and Maintenance Procedure



PRODUCT NUMBER:
C87XX SERIES - IP20
C88XX SERIES - IP44

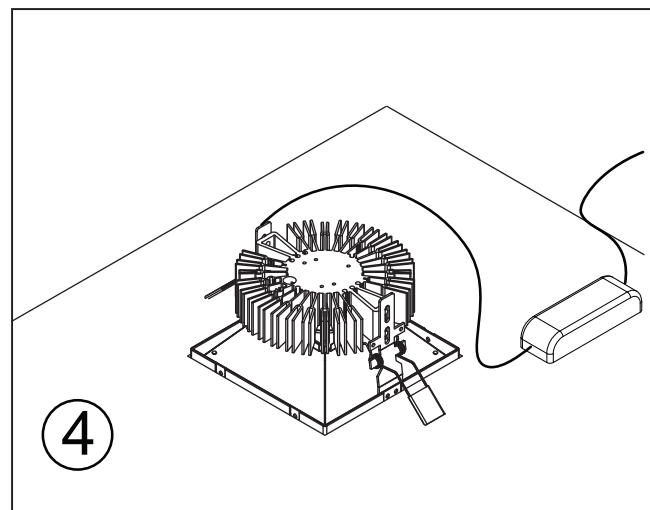
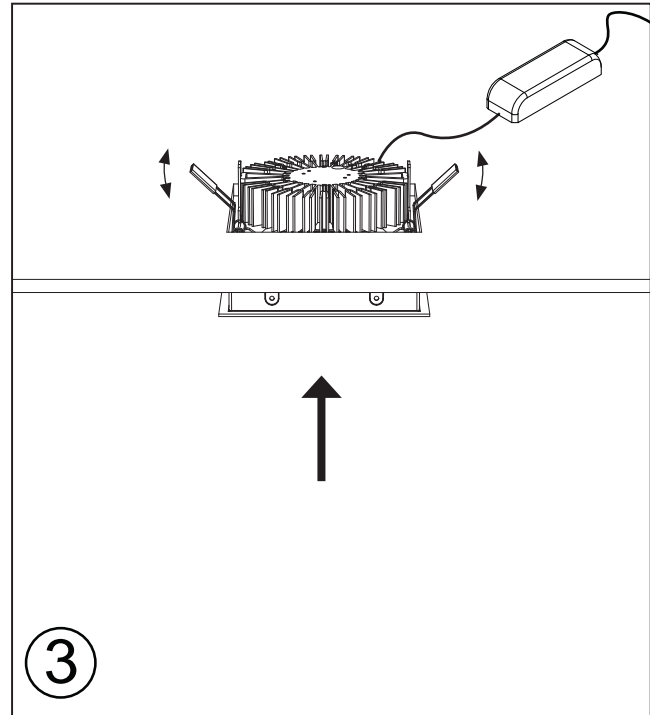
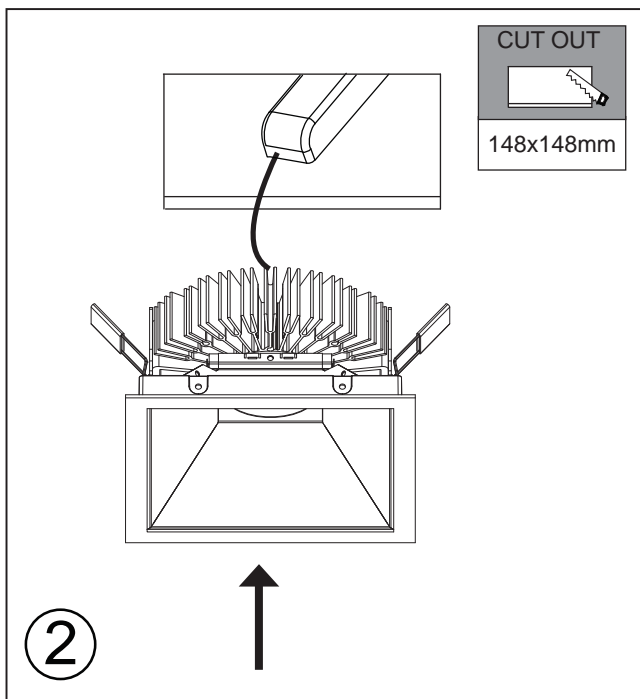
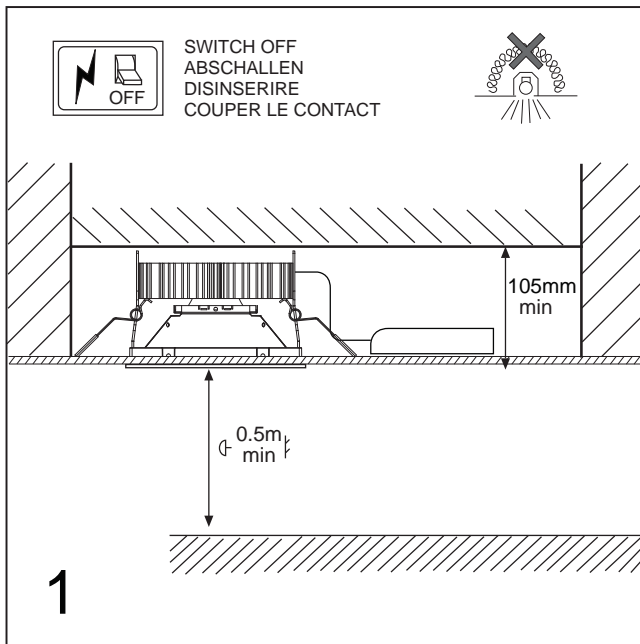
Country of origin
United Kingdom
WEE/EA0290TY
LUMICOM
MEMBER







ALL LED PRODUCTS REQUIRE THE USE OF A SUITABLE RATED DRIVER (SUPPLIED).

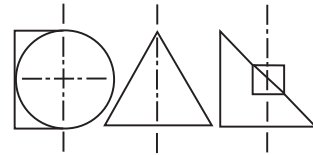


- IP20 VERSION DO NOT OPERATE IN DAMP OR CORROSIVE SITUATIONS.
- **WARNING**, SWITCH OFF MAINS BEFORE INSTALLING, OR SERVICING.
- RETAIN PROCEDURE FOR FUTURE USE.

R0-260216

DESIGNED ARCHITECTURAL LIGHTING CO LTD, 6 CONQUEROR COURT, SPILSBY ROAD, HAROLD HILL, ESSEX RM3 8SB, TELEPHONE +44 (0) 1708 381999 FAX+44 (0) 1708 381585 E-MAIL sales@dal-uk.com

General Installation and Maintenance Procedure for Designed Architectural Lighting Luminaires



General Information

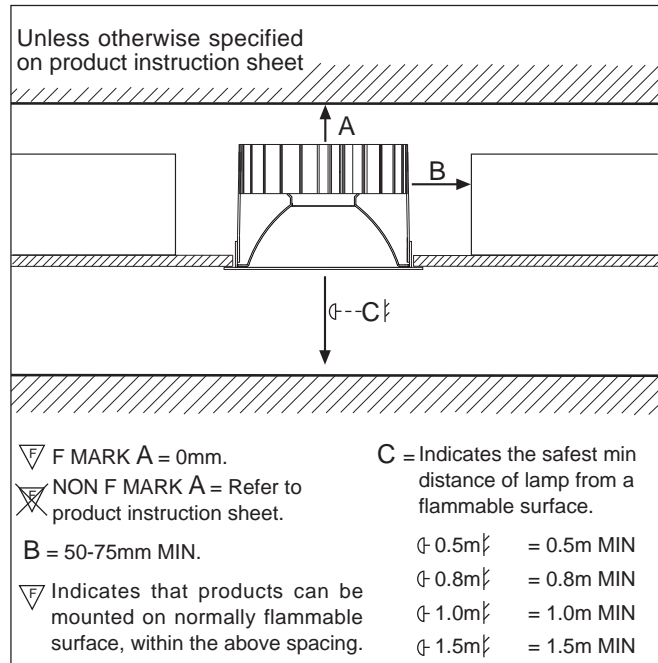
- Follow instruction sheet to ensure safe and reliable operation of product. Retain for future reference.
- The product should NOT be modified. Any modification will negate the safety mark/approvals, and may render the product unsafe.
- DAL accepts no responsibility for modified products. Modifications includes devices fitted between the lamp and lamp holder.
- All replacement component should be identical with those replaced. Disposal to be as manufacturer's instructions.
- DAL track luminaire must only be used on DAL track system or equivalent for which they are designed.

Installation and Supply

- Unless specified otherwise, all products are IP20 (ordinary). DO NOT operate in damp or corrosive situations.
- Disconnect from mains supply before; Intallation, maintenance or replacing fuse or lamp. Care must be taken when drilling holes near existing installation wiring, to avoid electric shock.
- Metal enclosed, Class II and Class III products must not be mounted in contact with or close to Earthed metal work, e.g. structural system of suspended ceilings.
- S.E.L.V. - To be used with Double Insulated. Extra Low Voltage, Safety Isolating Transformer or Driver only.
- When dimming is required, low voltage fittings should only be operated by a specifically rated dimmer.
- DAL accepts no responsibility for the effects of corrosive element in the installation/atmosphere.
- Any closure or ceiling void which prevents normal heat dissipation may cause reduced performance, over-heating and risk of fire.

Maintenance

- Only lamps of correct type and rating should be used, and fully and correctly inserted into the lampholder. Manufacturers instructions should be complied with.
- Certain lamp types (Metal Halide / Tungsten Halogen) reach maximum temperature rapidly. Care must be taken when adjusting or relamping.
- Metal Halide Lamps - Replace failed lamps promptly to avoid ballast damage.
- Replace all cracked or damaged safety glass immediately.
- Regular and careful cleaning is required to ensure optimum performance and safety. Designed Architectural Lighting accepts no responsibility for the effect of solvents used when installing, servicing or re-decorating the surround, or for the accumulation of dust and dirt.



| | |
|--|--|
| <h3>CLASS I</h3> <p>THIS CLASS MUST BE EARTHED</p> | <h3>LEGEND</h3> <p>P/L - BROWN / L / COLOUR RED N - BLUE / N / COLOUR BLACK ⊕ - GREEN / YELLOW / EARTH E / ⊕ / COLOUR GREEN</p> <p>* TEMPERATURE RATING OF CABLE</p> |
|--|--|

| | |
|--|--|
| <h3>CLASS II □</h3> <p>DOUBLE INSULATED</p> <p>DO NOT USE ⊕ TERMINAL</p> | <h3>LEGEND</h3> <p>P/L - BROWN / L / COLOUR RED N - BLUE / N / COLOUR BLACK ⊕ - GREEN / YELLOW / EARTH E / ⊕ / COLOUR GREEN</p> <p>* TEMPERATURE RATING OF CABLE</p> |
|--|--|

| | |
|--|---|
| <h3>CLASS III ⚡</h3> <p>LOW VOLTAGE</p> <p>DO NOT USE ⊕ TERMINAL</p> | <h3>LEGEND</h3> <p>P/L - BROWN / L / COLOUR RED N - BLUE / N / COLOUR BLACK ⊕ - GREEN / YELLOW / EARTH E / ⊕ / COLOUR GREEN V - 6V / 12V / 24V / 48V AS INDICATED</p> <p>* TEMPERATURE RATING OF CABLE</p> |
|--|---|

R2-010715