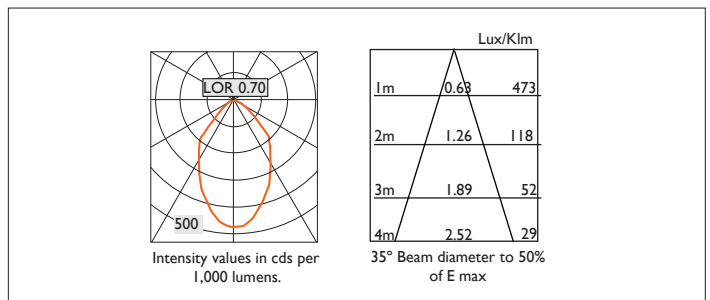
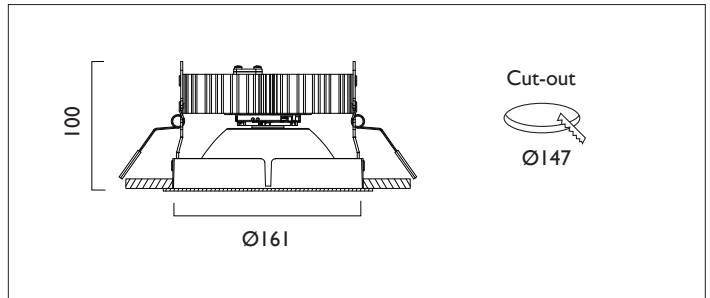
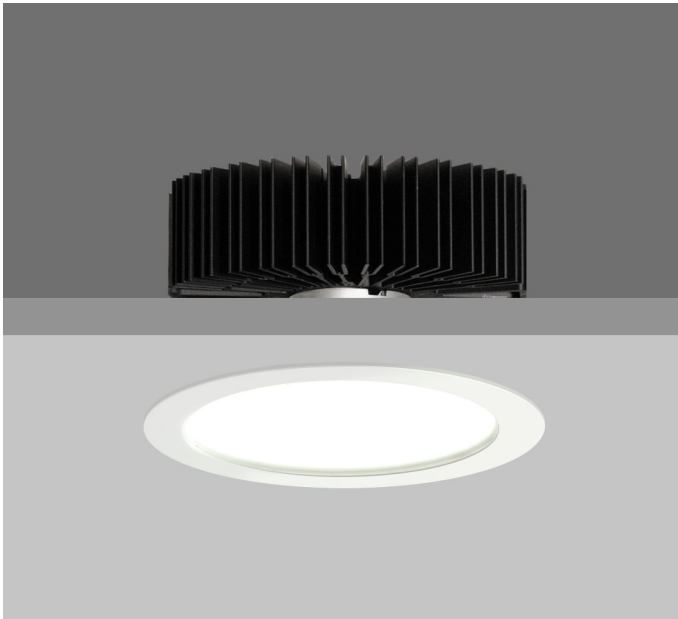


ICE X161

ICE X161 FIXED Round recessed downlighter with standard white ceiling trim, white reflector finish and stippled acrylic diffusing cover. Overall diameter 161mm, cut out 147mm diameter. Xicato LED.



Product Number	C8401/*Engine
Lamp Type	Xicato LED, Up to 2000 lumens
Reflector	White
Beam Angle	35°
Construction	Aluminium / Steel
Ceiling Trim	White RAL 9010
IP	IP44
Control	Driver

Please Note: For lumen output/power, colour temperature and protocols and appropriate Light Engine should also be specified.

*Light Engine Specification

Xicato XTM 50,000 hours >Ra80

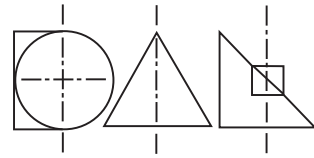
Power (A)	Lumen (lm)	Power (W)	Efficiency (lm/w)	Current (mA)
11A	1105 lm	7.2W	153lm/w	350mA
14A	1490 lm	10.6W	141 lm/w	500mA
20A	2000 lm	15.2W	131 lm/w	700mA

Color Temp (K)	Emergency	Control
2700K	2	0 Fixed Output
3000K	3	1 I-10V
3500K	4	3 DSI
4000K	5	5 DALI
		7 Lead / Trailing
		9 Addressable



Ice X161

Installation and Maintenance Procedure

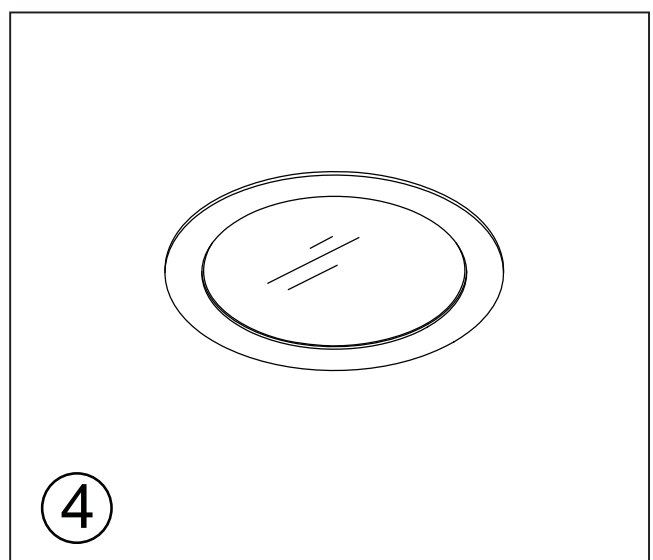
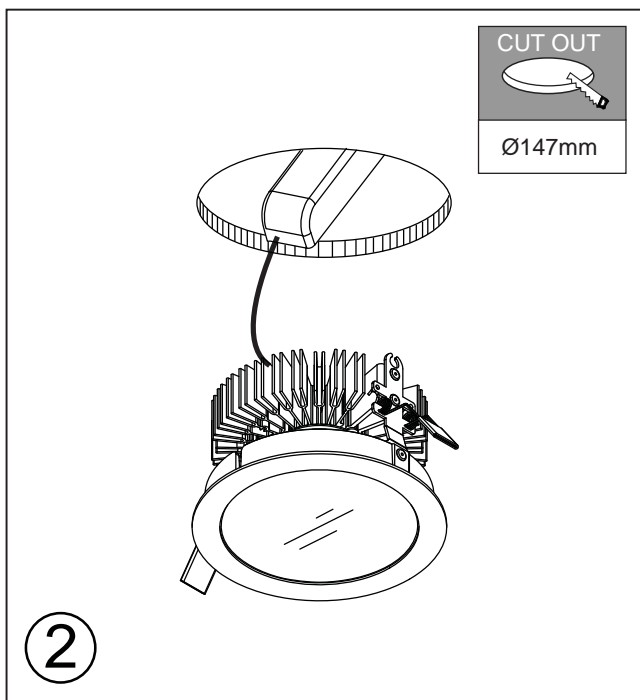
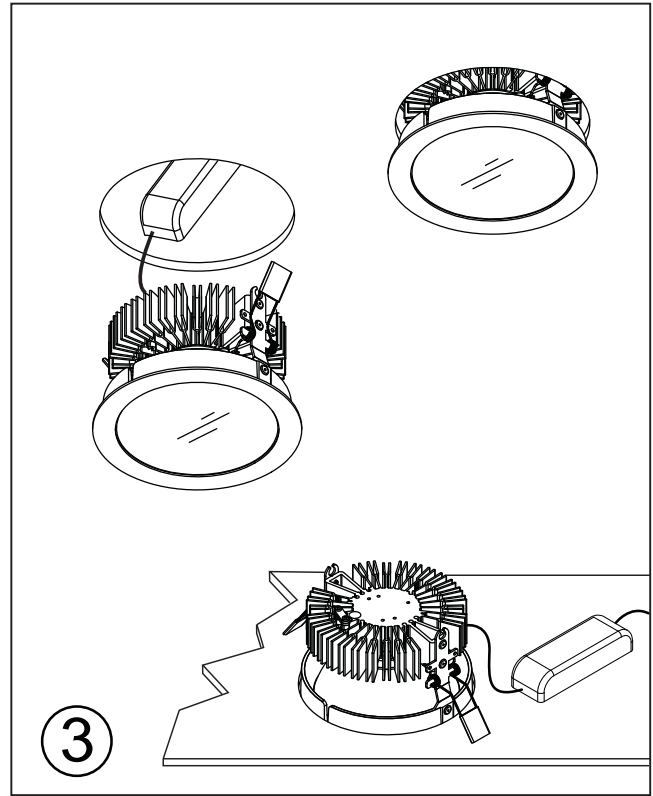
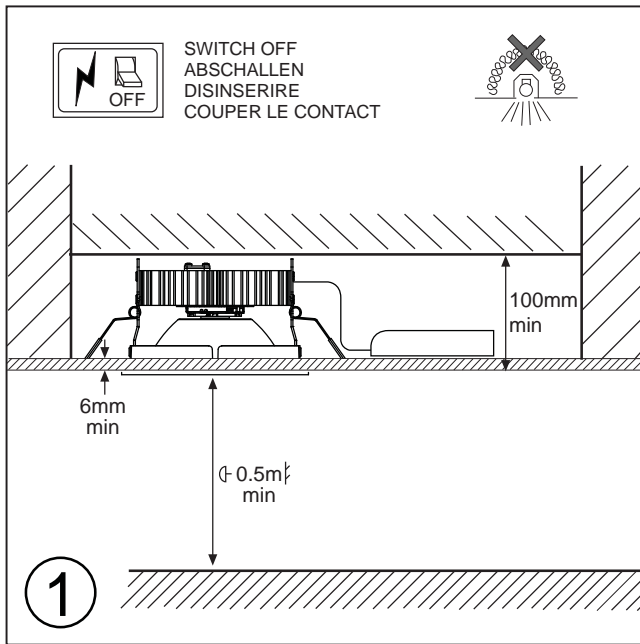


PRODUCT NUMBER:
C84XX SERIES

Country of origin
United Kingdom
WEE/EA0290TY
LUMICOM
MEMBER



ALL LED PRODUCTS REQUIRE THE USE OF A SUITABLE RATED DRIVER (SUPPLIED).

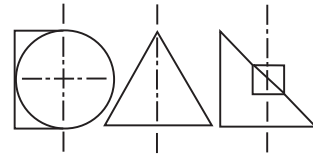


- **WARNING**, SWITCH OFF MAINS BEFORE INSTALLING, OR SERVICING.
- RETAIN PROCEDURE FOR FUTURE USE.

R0-240216

DESIGNED ARCHITECTURAL LIGHTING CO LTD, 6 CONQUEROR COURT, SPILSBY ROAD, HAROLD HILL, ESSEX RM3 8SB, TELEPHONE +44 (0) 1708 381999 FAX+44 (0) 1708 381585 E-MAIL sales@dal-uk.com

General Installation and Maintenance Procedure for Designed Architectural Lighting Luminaires



General Information

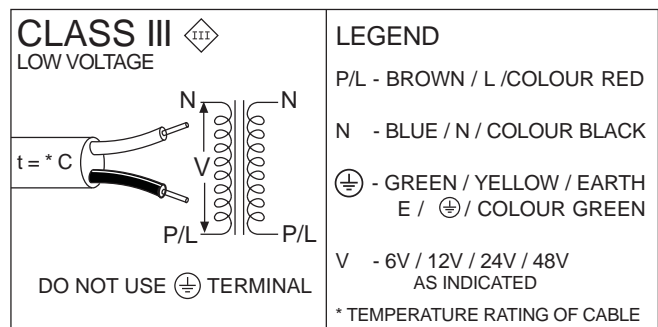
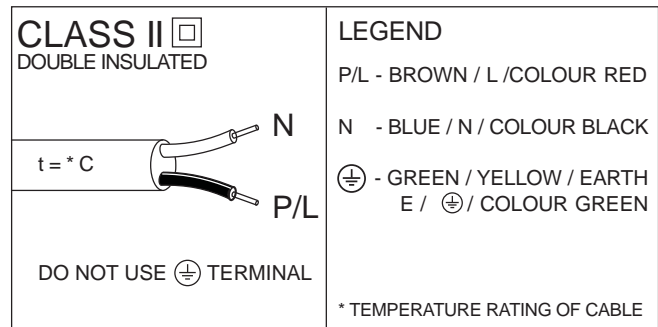
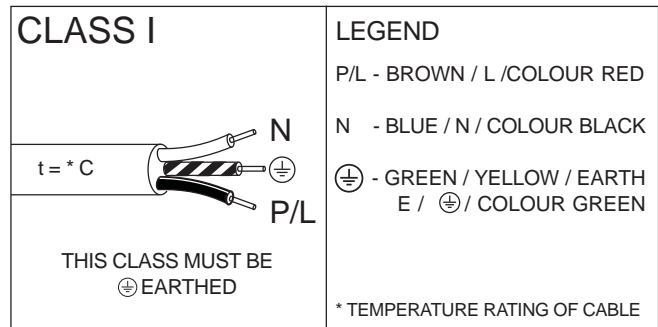
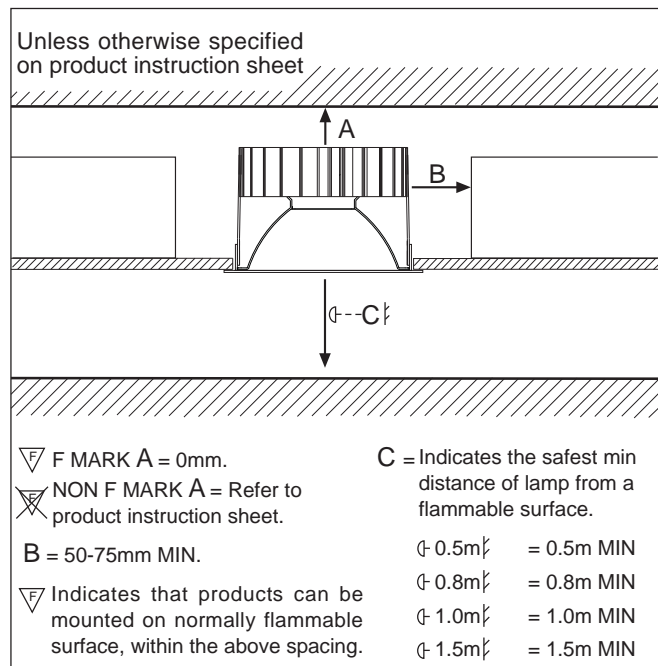
- Follow instruction sheet to ensure safe and reliable operation of product. Retain for future reference.
- The product should NOT be modified. Any modification will negate the safety mark/approvals, and may render the product unsafe.
- DAL accepts no responsibility for modified products. Modifications includes devices fitted between the lamp and lamp holder.
- All replacement component should be identical with those replaced. Disposal to be as manufacturer's instructions.
- DAL track luminaire must only be used on DAL track system or equivalent for which they are designed.

Installation and Supply

- Unless specified otherwise, all products are IP20 (ordinary). DO NOT operate in damp or corrosive situations.
- Disconnect from mains supply before; Intallation, maintenance or replacing fuse or lamp. Care must be taken when drilling holes near existing installation wiring, to avoid electric shock.
- Metal enclosed, Class II and Class III products must not be mounted in contact with or close to Earthed metal work, e.g. structural system of suspended ceilings.
- S.E.L.V. - To be used with Double Insulated. Extra Low Voltage, Safety Isolating Transformer or Driver only.
- When dimming is required, low voltage fittings should only be operated by a specifically rated dimmer.
- DAL accepts no responsibility for the effects of corrosive element in the installation/atmosphere.
- Any closure or ceiling void which prevents normal heat dissipation may cause reduced performance, over-heating and risk of fire.

Maintenance

- Only lamps of correct type and rating should be used, and fully and correctly inserted into the lampholder. Manufacturers instructions should be complied with.
- Certain lamp types (Metal Halide / Tungsten Halogen) reach maximum temperature rapidly. Care must be taken when adjusting or relamping.
- Metal Halide Lamps - Replace failed lamps promptly to avoid ballast damage.
- Replace all cracked or damaged safety glass immediately.
- Regular and careful cleaning is required to ensure optimum performance and safety. Designed Architectural Lighting accepts no responsibility for the effect of solvents used when installing, servicing or re-decorating the surround, or for the accumulation of dust and dirt.



R2-010715