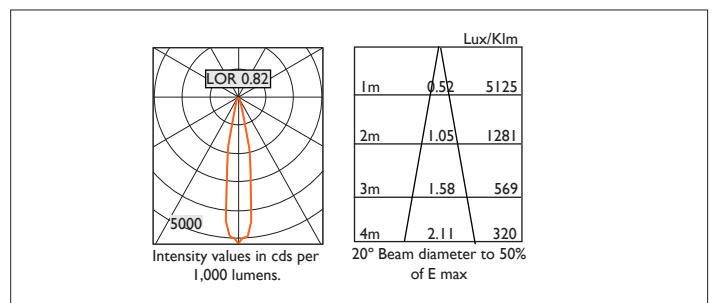
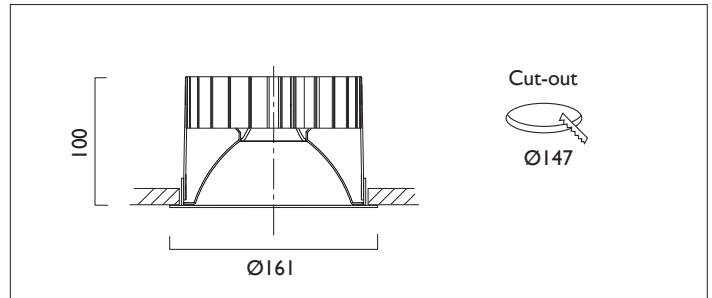




TEMPO XI61

TEMPO XI61 FIXED Round recessed downlighter with standard white ceiling trim and a choice of reflector finish and beam distribution. Overall diameter 161mm, cut out 147mm diameter. Xicato LED.



Product Number	C7124/*Engine
Lamp Type	Xicato LED, Up to 3000 lumens
Reflector	White
Beam Angle	20°
Construction	Aluminium / Steel
Ceiling Trim	White RAL 9010
IP	IP20
Control	Driver

Please Note: For lumen output/power, colour temperature and protocols and appropriate Light Engine should also be specified.

*Light Engine Specification

Xicato XTM L80 50,000 hours >Ra80

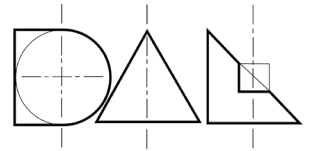
11A	1105 lm	7.2W	153 lm/w	350mA
14A	1490 lm	10.6W	141 lm/w	500mA
20A	2000 lm	15.2W	131 lm/w	700mA

30A 3000 lm 25.7W 117 lm/w 1050mA

2700K	2	<ul style="list-style-type: none"> 0 No Emergency E Maintained Emergency
3000K	3	
3500K	4	
4000K	5	

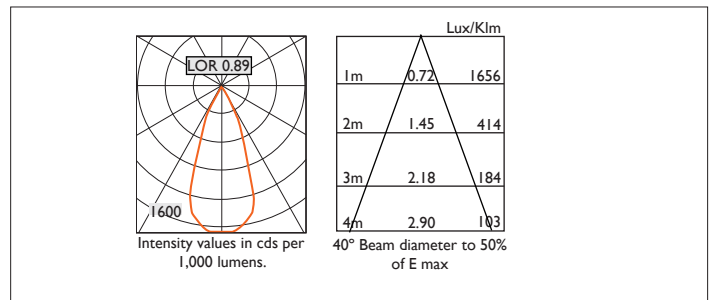
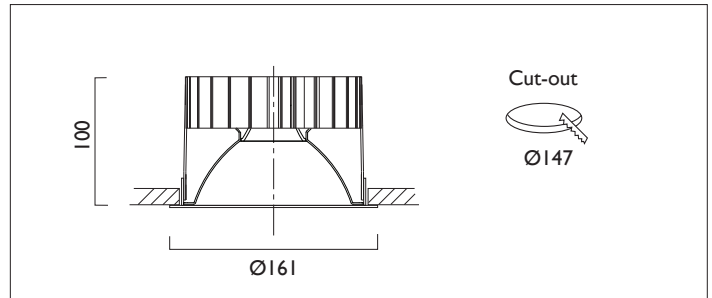
EN 60598-1
WEE/AE0290TY





TEMPO X161

TEMPO X161 FIXED Round recessed downlighter with standard white ceiling trim and a choice of reflector finish and beam distribution. Overall diameter 161mm, cut out 147mm diameter. Xicato LED.



Product Number	C7144/*Engine
Lamp Type	Xicato LED, Up to 3000 lumens
Reflector	White
Beam Angle	40°
Construction	Aluminium / Steel
Ceiling Trim	White RAL 9010
IP	IP20
Control	Driver

Please Note: For lumen output/power, colour temperature and protocols and appropriate Light Engine should also be specified.

*Light Engine Specification

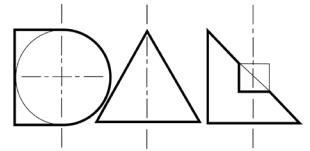
Xicato XTM 50,000 hours >Ra80

11A	1105 lm	7.2W	153 lm/w	350mA
14A	1490 lm	10.6W	141 lm/w	500mA
20A	2000 lm	15.2W	131 lm/w	700mA
30A	3000 lm	25.7W	117 lm/w	1050mA

2700K	2	<ul style="list-style-type: none"> 0 No Emergency E Maintained Emergency
3000K	3	
3500K	4	
4000K	5	

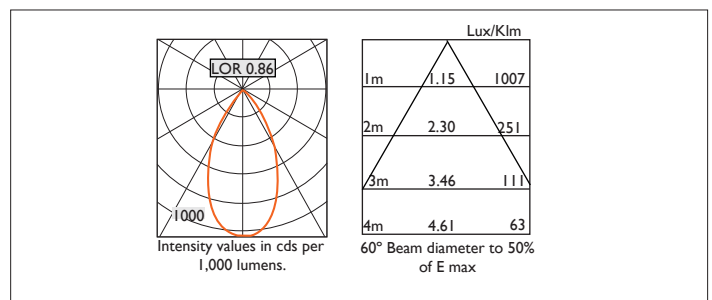
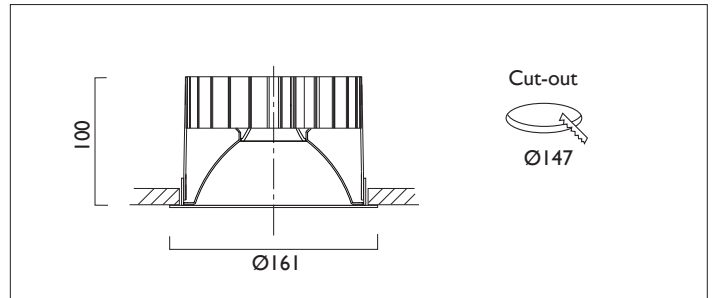
EN 60598-1
WEE/AE0290TY





TEMPO X161

TEMPO X161 FIXED Round recessed downlighter with standard white ceiling trim and a choice of reflector finish and beam distribution. Overall diameter 161mm, cut out 147mm diameter. Xicato LED.



Product Number	C7164/*Engine
Lamp Type	Xicato LED, Up to 3000 lumens
Reflector	White
Beam Angle	60°
Construction	Aluminium / Steel
Ceiling Trim	White RAL 9010
IP	IP20
Control	Driver

Please Note: For lumen output/power, colour temperature and protocols and appropriate Light Engine should also be specified.

*Light Engine Specification

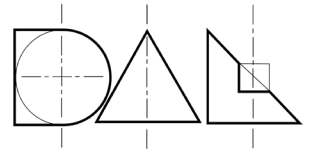
Xicato XTM 50,000 hours >Ra80

11A	1105 lm	7.2W	153 lm/w	350mA
14A	1490 lm	10.6W	141 lm/w	500mA
20A	2000 lm	15.2W	131 lm/w	700mA
30A	3000 lm	25.7W	117 lm/w	1050mA

2700K	2	<ul style="list-style-type: none"> 0 No Emergency E Maintained Emergency
3000K	3	
3500K	4	
4000K	5	

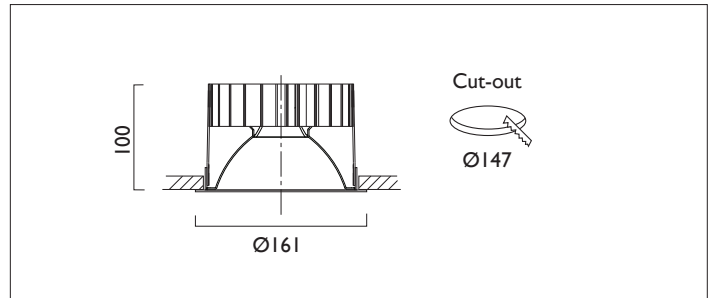
EN 60598-1
WEE/AE0290TY





TEMPO X161 IP44

TEMPO X161 IP44 FIXED Round recessed downlighter with standard white ceiling trim and a choice of reflector finish and beam distribution. Overall diameter 161mm, cut out 147mm diameter. Xicato LED.



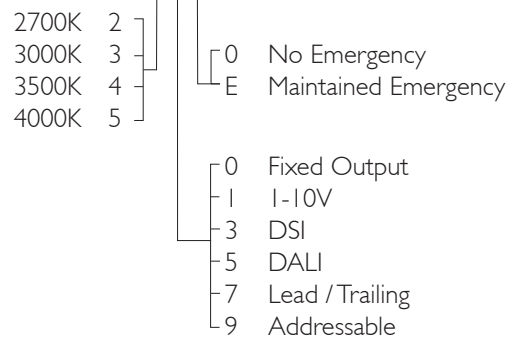
Product Number	C7224/*Engine
Lamp Type	Xicato LED, Up to 3000 lumens
Reflector	White
Beam Angle	20°
Construction	Aluminium / Steel / Glass
Ceiling Trim	White RAL 9010
IP	IP44
Control	Driver

Please Note: For lumen output/power, colour temperature and protocols and appropriate Light Engine should also be specified.

*Light Engine Specification

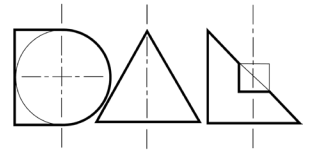
Xicato XTM 50,000 hours >Ra80

11A	1105 lm	7.2W	153 lm/w	350mA
14A	1490 lm	10.6W	141 lm/w	500mA
20A	2000 lm	15.2W	131 lm/w	700mA
30A	3000 lm	25.7W	117 lm/w	1050mA



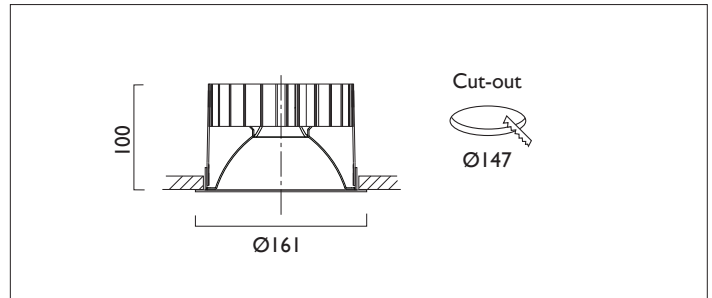
EN 60598-1
WEE/AE0290TY





TEMPO X161 IP44

TEMPO X161 IP44 FIXED Round recessed downlighter with standard white ceiling trim and a choice of reflector finish and beam distribution. Overall diameter 161 mm, cut out 147mm diameter. Xicato LED.



Product Number	C7244/*Engine
Lamp Type	Xicato LED, Up to 3000 lumens
Reflector	White
Beam Angle	40°
Construction	Aluminium / Steel / Glass
Ceiling Trim	White RAL 9010
IP	IP44
Control	Driver

Please Note: For lumen output/power, colour temperature and protocols and appropriate Light Engine should also be specified.

*Light Engine Specification

Xicato XTM L80 50,000 hours >Ra80

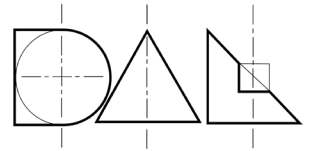
11A	1105 lm	7.2W	153 lm/w	350mA
14A	1490 lm	10.6W	141 lm/w	500mA
20A	2000 lm	15.2W	131 lm/w	700mA

30A	3000 lm	25.7W	117 lm/w	1050mA
-----	---------	-------	----------	--------

2700K	2	<ul style="list-style-type: none"> 0 No Emergency E Maintained Emergency
3000K	3	
3500K	4	
4000K	5	

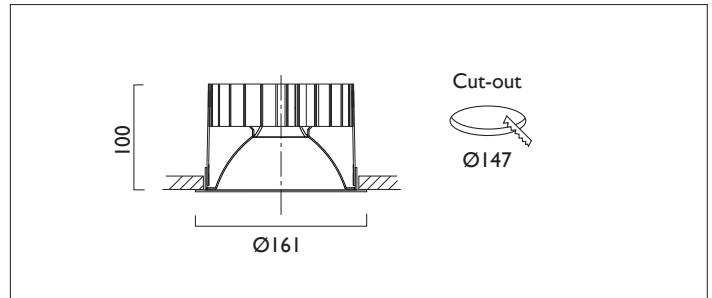
EN 60598-1
WEE/AE0290TY





TEMPO X161 IP44

TEMPO X161 IP44 FIXED Round recessed downlighter with standard white ceiling trim and a choice of reflector finish and beam distribution. Overall diameter 161 mm, cut out 147mm diameter. Xicato LED.



Product Number	C7264/*Engine
Lamp Type	Xicato LED, Up to 3000 lumens
Reflector	White
Beam Angle	60°
Construction	Aluminium / Steel / Glass
Ceiling Trim	White RAL 9010
IP	IP44
Control	Driver

Please Note: For lumen output/power, colour temperature and protocols and appropriate Light Engine should also be specified.

*Light Engine Specification

Xicato XTM 50,000 hours >Ra80

11A	1105 lm	7.2W	153 lm/w	350mA
14A	1490 lm	10.6W	141 lm/w	500mA
20A	2000 lm	15.2W	131 lm/w	700mA
30A	3000 lm	25.7W	117 lm/w	1050mA

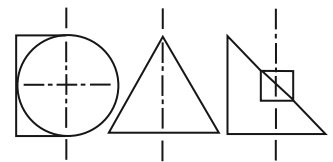
2700K	2	<ul style="list-style-type: none"> 0 No Emergency E Maintained Emergency
3000K	3	
3500K	4	
4000K	5	

EN 60598-1
WEE/AE0290TY



Tempo X161

Installation and Maintenance Procedure



PRODUCT NUMBER:- C71XX (IP20) C75XX (IP20)
 C72XX (IP44) C76XX (IP44)
 C73XX (IP20) C77XX (IP20)
 C74XX (IP44) C78XX (IP44)

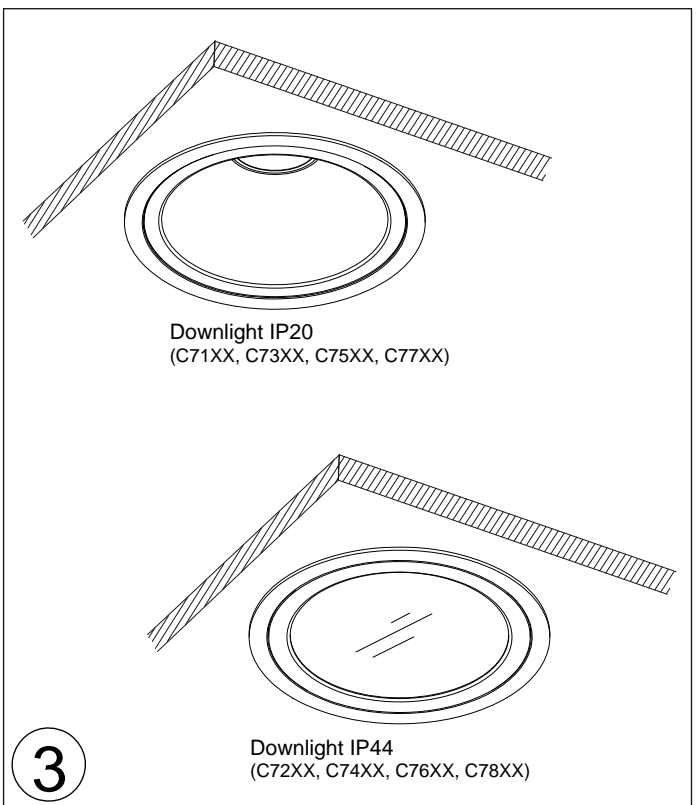
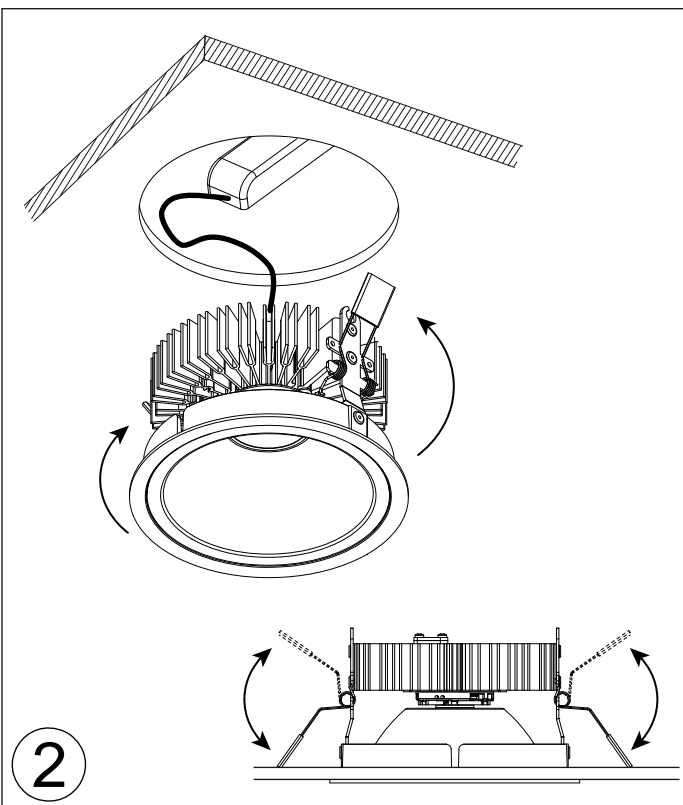
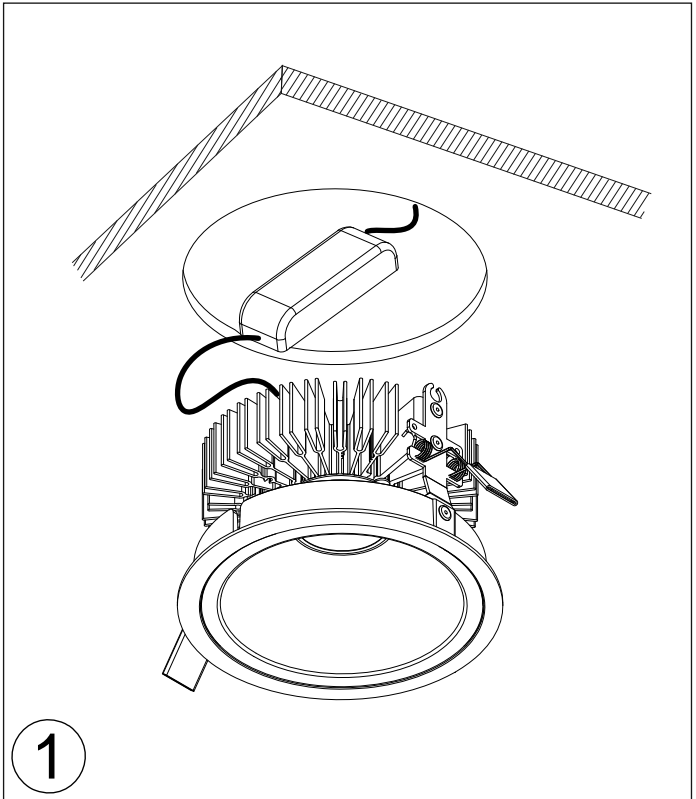
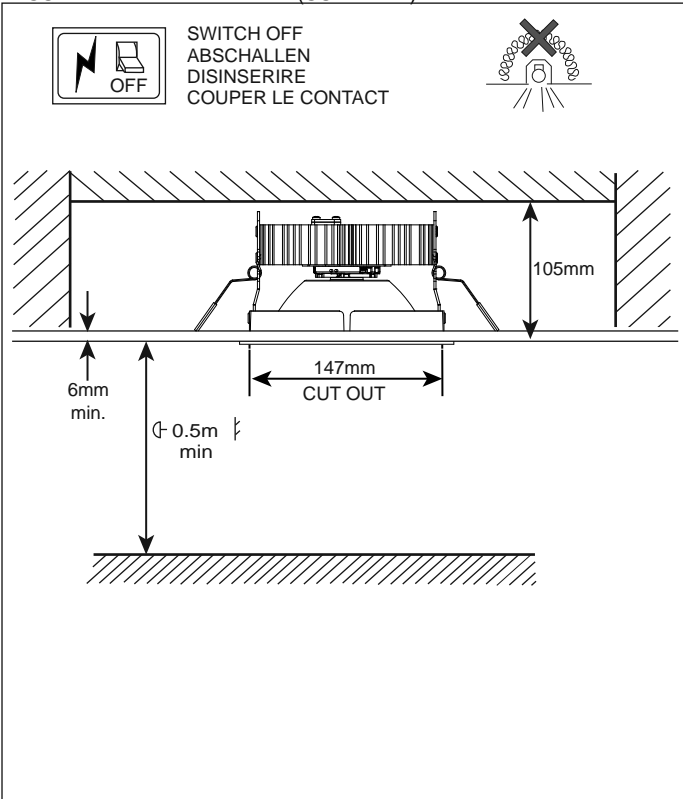


Country of origin
 United Kingdom



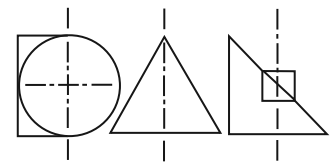
220-240V~50/60 HZ WEE/EA0290TY

ALL LED PRODUCTS REQUIRE THE USE OF
 A SUITABLE RATED DRIVER (SUPPLIED)



- WARNING. SWITCH OFF MAINS BEFORE INSTALLING OR SERVICING
- REPLACE ANY CRACKED GLASS
- RETAIN PROCEDURE FOR FUTURE USE

General Installation and Maintenance Procedure for Designed Architectural Lighting Luminaires



General Information

- Follow instruction sheet to ensure safe and reliable operation of product. Retain for future reference.
- The product should NOT be modified. Any modification will negate the safety mark/approvals, and may render the product unsafe.
- DAL accepts no responsibility for modified products. Modifications includes devices fitted between the lamp and lamp holder.
- All replacement component should be identical with those replaced. Disposal to be as manufacturer's instructions.
- DAL track luminaire must only be used on DAL track system or equivalent for which they are designed.

Installation and Supply

- Unless specified otherwise, all products are IP20. DO NOT operate in damp or corrosive situations.
- Disconnect from mains supply before installation, maintenance or replacing fuse or lamp. Care must be taken when drilling holes near existing installation wiring, to avoid electric shock.
- Metal enclosed, Class II and Class III products must not be mounted in contact with or close to Earthed metal work, e.g. structural system of suspended ceilings.
- S.E.L.V. - To be used with Double Insulated. Extra Low Voltage, Safety Isolating Transformer or Driver only.
- When dimming is required, low voltage fittings should only be operated by a specifically rated dimmer.
- DAL accepts no responsibility for the effects of corrosive element in the installation/atmosphere.
- Any closure or ceiling void which prevents normal heat dissipation may cause reduced performance, overheating and risk of fire.

Maintenance

- Only lamps of correct type and rating should be used, and fully and correctly inserted into the lampholder. Manufacturers instructions should be complied with.
- Certain lamp types (Metal Halide / Tungsten Halogen) reach maximum temperature rapidly. Care must be taken when adjusting or relamping.
- Metal Halide Lamps - Replace failed lamps promptly to avoid ballast damage.
- Replace all cracked or damaged safety glass immediately.
- Regular and careful cleaning is required to ensure optimum performance and safety. Designed Architectural Lighting accepts no responsibility for the effect of solvents used when installing, servicing or re-decorating the surround, or for the accumulation of dust and dirt.

