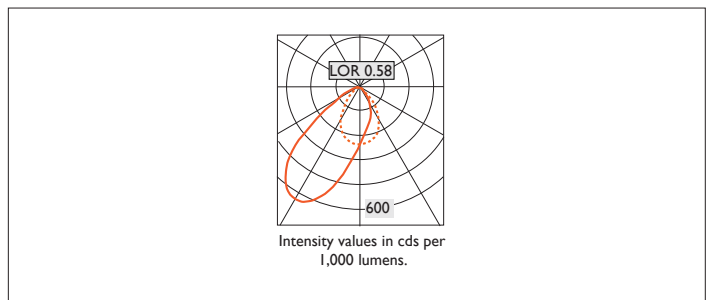
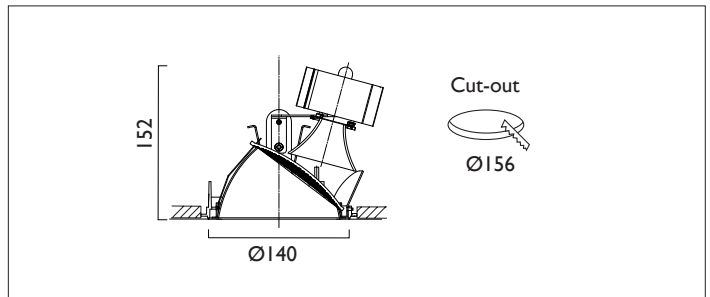
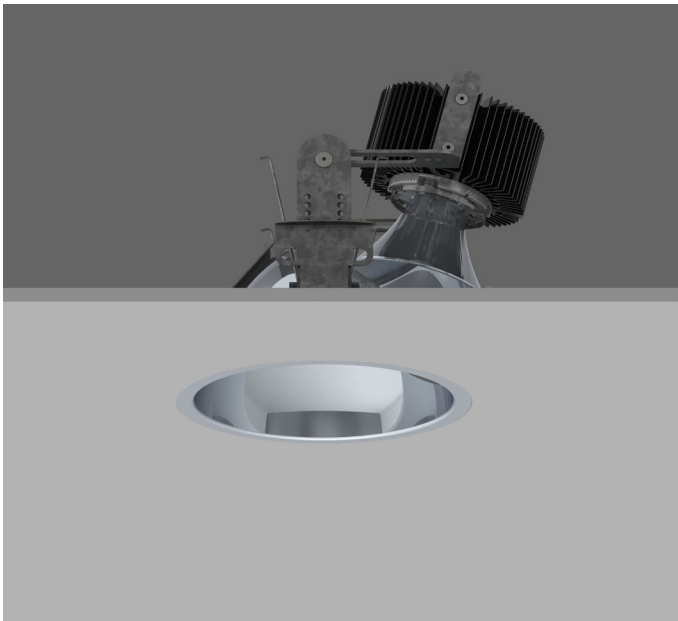


TRIMLESS VP X140 LENS WALLWASHER

TRIMLESS VP X140 LENS WALLWASHER FIXED Round recessed wallwasher designed for plaster skim ceilings with low glare, deep cone, diffused spectro silver reflector and lens optic.
Overall diameter 140mm, cut out 156mm diameter. Xicato LED.



Product Number	C6708/*Engine
Lamp Type	Xicato LED, Up to 3000 lumens
Reflector	Spectro Silver
Beam	Asymmetric
Construction	Aluminium / Steel
IP	IP20
Control	Driver

Please Note: For lumen output/power, colour temperature and protocols and appropriate Light Engine should also be specified.

*Light Engine Specification

Xicato XTM L80 50,000 hours >Ra80

11A	1105 lm	9.3W	119lm/w	350mA
14A	1490 lm	13.6W	110 lm/w	500mA
20A	2000 lm	19.5W	102 lm/w	700mA

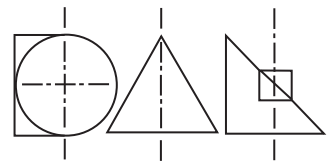
30A 3000 lm 29.3W 102m/w 1050mA

2700K	2	<ul style="list-style-type: none"> 0 No Emergency E Maintained Emergency 	
3000K	3		
3500K	4		
4000K	5		0 Fixed Output
			1 I-10V
		3 DSI	
		5 DALI	
		7 Lead / Trailing	
		9 Addressable	



Trimless VP X Lens Wallwasher

Installation and Maintenance Procedure



PRODUCT NUMBER:- C59XX
C67XX

ALL LED PRODUCTS REQUIRE THE USE OF
A SUITABLE RATED DRIVER (SUPPLIED)



IP20 220-240V~ 50/60 HZ

Country of origin
United Kingdom

WEE/EA0290TY



SWITCH OFF
ABSCHALLEN
DISINSERIRE
COUPER LE CONTACT

PRODUCT	RANGE	CUT OUT (A)	HEIGHT (B)
C59XX	X124	Ø140mm	134mm
C67XX	X143	Ø156mm	162mm

FROM DRIVER

REMOVE FILM
AFTER
INSTALLATION

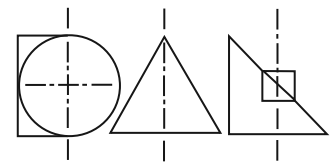
1

2

- WARNING. SWITCH OFF MAINS BEFORE INSTALLING OR SERVICING
- REPLACE ANY CRACKED GLASS
- RETAIN PROCEDURE FOR FUTURE USE

Trimless VP X Lens Wallwasher

Installation and Maintenance Procedure



PRODUCT NUMBER:- C59XX
C67XX

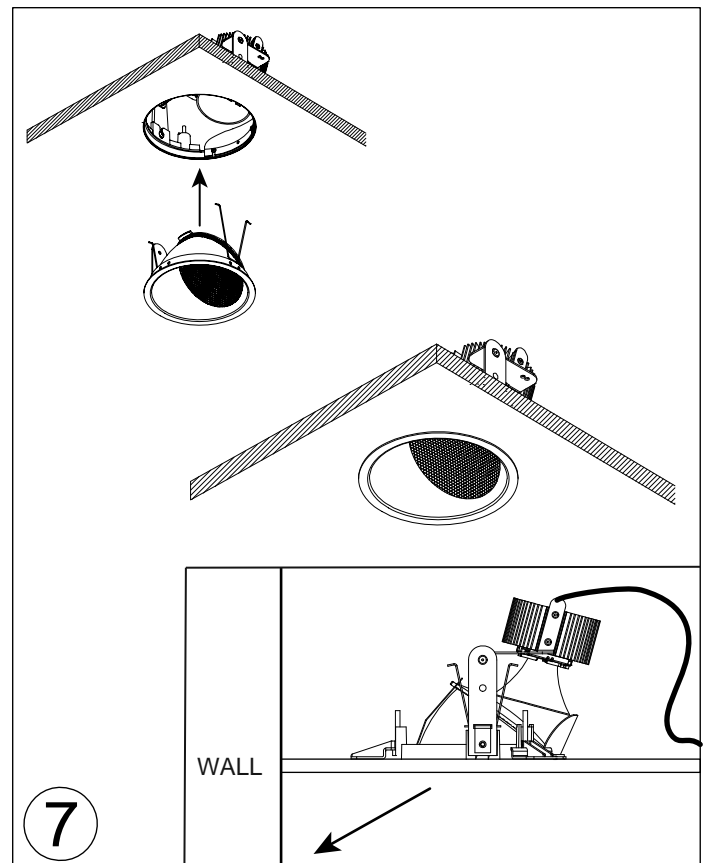
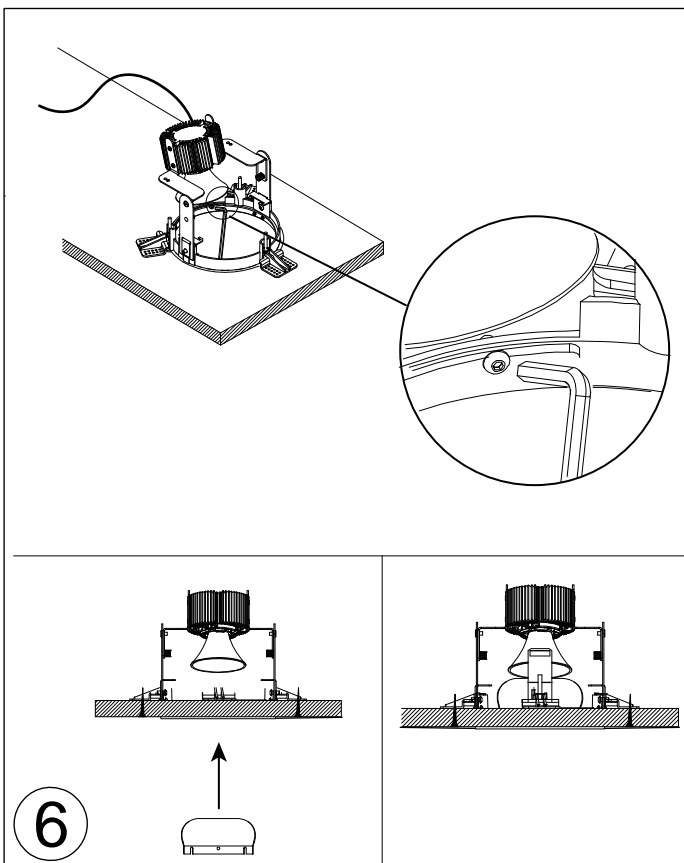
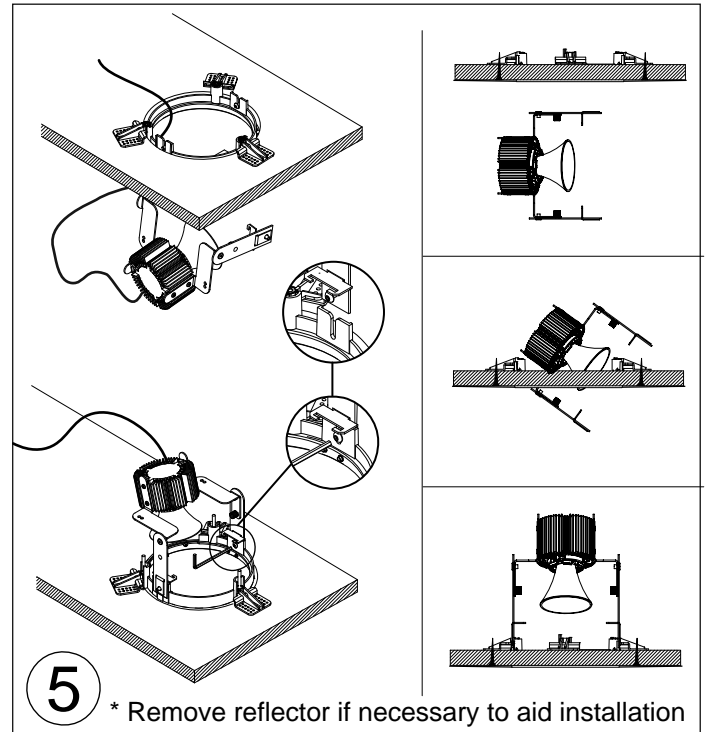
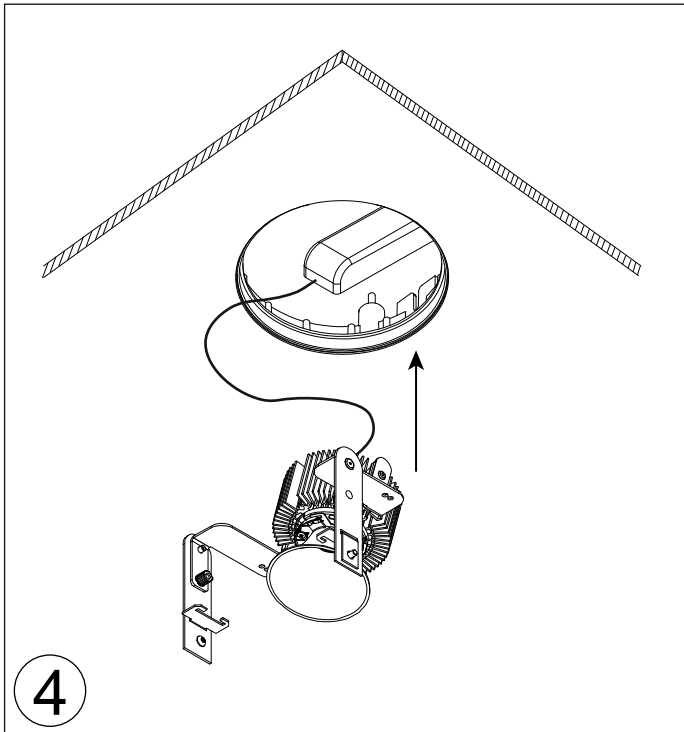
ALL LED PRODUCTS REQUIRE THE USE OF
A SUITABLE RATED DRIVER (SUPPLIED)



IP20 220-240V~ 50/60 HZ

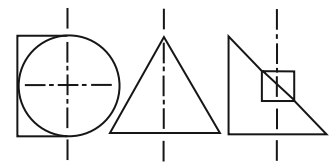
Country of origin
United Kingdom

WEE/EA0290TY



- WARNING. SWITCH OFF MAINS BEFORE INSTALLING OR SERVICING
- REPLACE ANY CRACKED GLASS
- RETAIN PROCEDURE FOR FUTURE USE

General Installation and Maintenance Procedure for Designed Architectural Lighting Luminaires



General Information

- Follow instruction sheet to ensure safe and reliable operation of product. Retain for future reference.
- The product should NOT be modified. Any modification will negate the safety mark/approvals, and may render the product unsafe.
- DAL accepts no responsibility for modified products. Modifications includes devices fitted between the lamp and lamp holder.
- All replacement component should be identical with those replaced. Disposal to be as manufacturer's instructions.
- DAL track luminaire must only be used on DAL track system or equivalent for which they are designed.

Installation and Supply

- Unless specified otherwise, all products are IP20. DO NOT operate in damp or corrosive situations.
- Disconnect from mains supply before installation, maintenance or replacing fuse or lamp. Care must be taken when drilling holes near existing installation wiring, to avoid electric shock.
- Metal enclosed, Class II and Class III products must not be mounted in contact with or close to Earthed metal work, e.g. structural system of suspended ceilings.
- S.E.L.V. - To be used with Double Insulated. Extra Low Voltage, Safety Isolating Transformer or Driver only.
- When dimming is required, low voltage fittings should only be operated by a specifically rated dimmer.
- DAL accepts no responsibility for the effects of corrosive element in the installation/atmosphere.
- Any closure or ceiling void which prevents normal heat dissipation may cause reduced performance, overheating and risk of fire.

Maintenance

- Only lamps of correct type and rating should be used, and fully and correctly inserted into the lampholder. Manufacturers instructions should be complied with.
- Certain lamp types (Metal Halide / Tungsten Halogen) reach maximum temperature rapidly. Care must be taken when adjusting or relamping.
- Metal Halide Lamps - Replace failed lamps promptly to avoid ballast damage.
- Replace all cracked or damaged safety glass immediately.
- Regular and careful cleaning is required to ensure optimum performance and safety. Designed Architectural Lighting accepts no responsibility for the effect of solvents used when installing, servicing or re-decorating the surround, or for the accumulation of dust and dirt.

