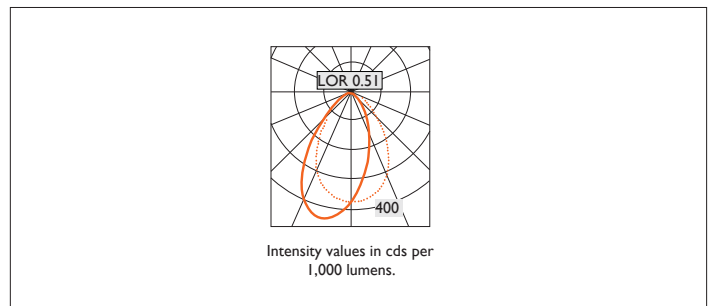
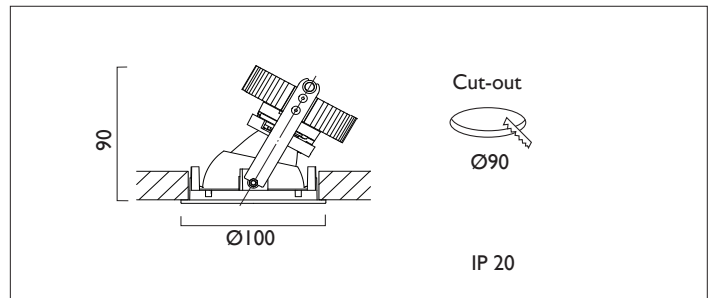




AMBIANCE X100 WALLWASHER

AMBIANCE X100 with Xicato LED recessed wallwasher with deep cone reflector and spread lens, finished in black, and white ceiling trim. Overall diameter 100mm, cut out 90mm.

For lumen output/power, colour temperature and protocols an appropriate Light Engine should also be specified.



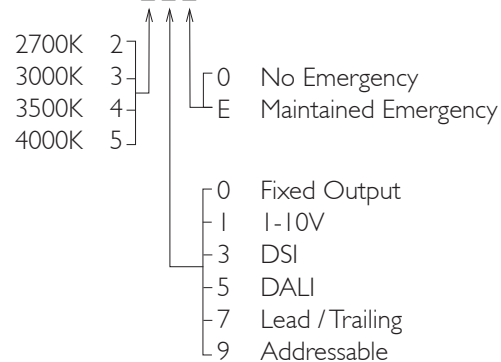
Product Number	C0703/*Light Engine
Lamp Type	Xicato LED, Up to 2000 lumens
Reflector	Black
Construction	Aluminium / Steel / Glass
Ceiling Trim	White RAL 9010
IP	IP20
Control	Driver

Please Note: For lumen output/power, colour temperature and protocols and appropriate Light Engine should also be specified.

*Light Engine Specification

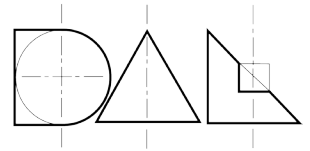
Xicato XTM L80 50,000 hours >Ra80

07A	---	720 lm	4.5W	160 lm/w	350mA
09A	---	965 lm	6.6W	146 lm/w	500mA
13A	---	1300 lm	9.5W	137 lm/w	700mA
14A	---	1490 lm	10.6W	141 lm/w	500mA
20A	---	2000 lm	15.2W	131 lm/w	700mA



EN 60598-1
WEE/AE0290TY

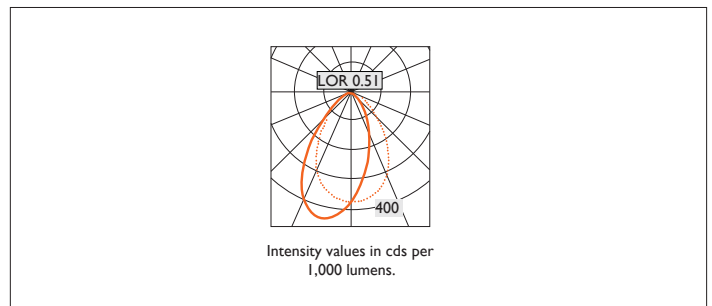
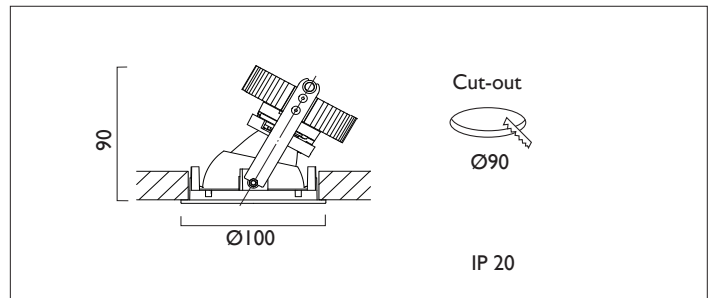




AMBIANCE X100 WALLWASHER

AMBIANCE X100 with Xicato LED recessed wallwasher with deep cone reflector and spread lens, finished in specular silver, and white ceiling trim. Overall diameter 100mm, cut out 90mm.

For lumen output/power, colour temperature and protocols an appropriate Light Engine should also be specified.



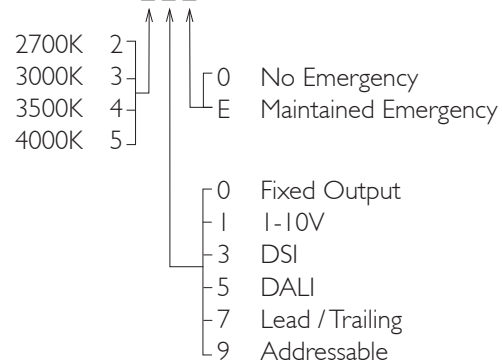
Product Number	C0701/*Light Engine
Lamp Type	Xicato LED, Up to 2000 lumens
Reflector	Specular Silver
Construction	Aluminium / Steel / Glass
Ceiling Trim	White RAL 9010
IP	IP20
Control	Driver

Please Note: For lumen output/power, colour temperature and protocols and appropriate Light Engine should also be specified.

*Light Engine Specification

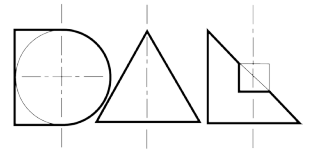
Xicato XTM L80 50,000 hours >Ra80

07A	---	720 lm	4.5W	160 lm/w	350mA
09A	---	965 lm	6.6W	146 lm/w	500mA
13A	---	1300 lm	9.5W	137 lm/w	700mA
14A	---	1490 lm	10.6W	141 lm/w	500mA
20A	---	2000 lm	15.2W	131 lm/w	700mA



EN 60598-1
WEE/AE0290TY

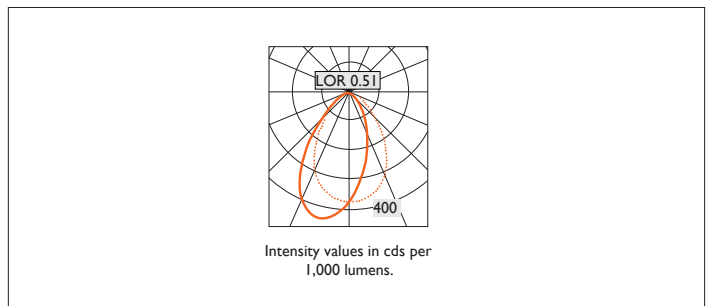
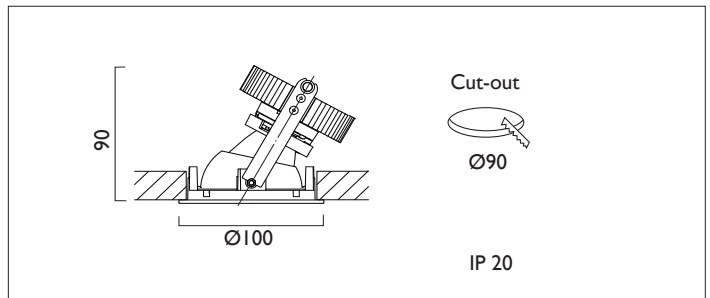
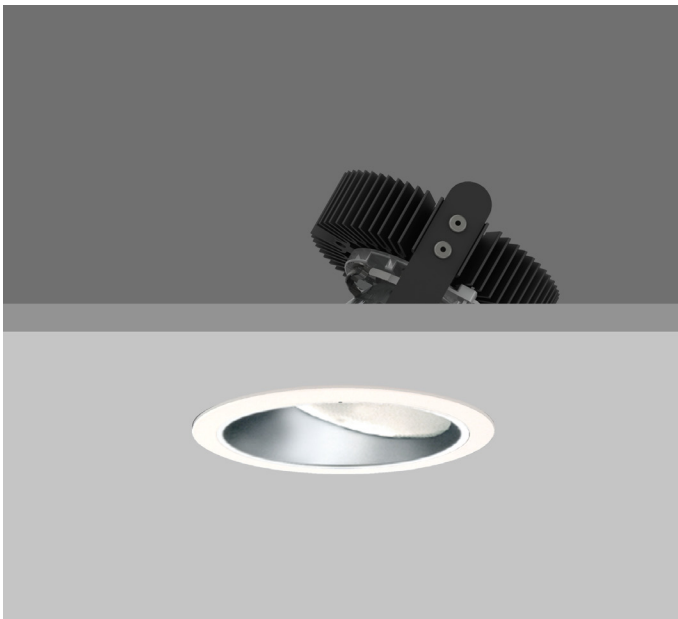




AMBIANCE X100 WALLWASHER

AMBIANCE X100 with Xicato LED recessed wallwasher with deep cone reflector and spread lens, finished in satin silver, and white ceiling trim. Overall diameter 100mm, cut out 90mm.

For lumen output/power, colour temperature and protocols an appropriate Light Engine should also be specified.



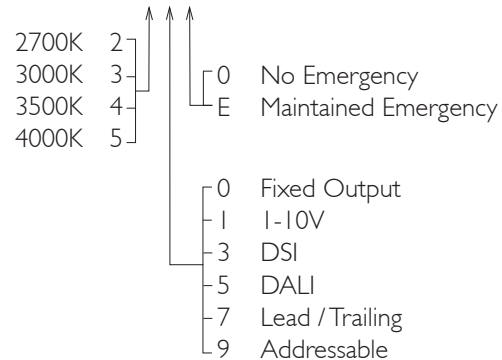
Product Number	C0702/*Light Engine
Lamp Type	Xicato LED, Up to 2000 lumens
Reflector	Satin Silver
Construction	Aluminium / Steel / Glass
Ceiling Trim	White RAL 9010
IP	IP20
Control	Driver

Please Note: For lumen output/power, colour temperature and protocols and appropriate Light Engine should also be specified.

*Light Engine Specification

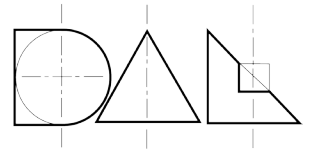
Xicato XTM L80 50,000 hours >Ra80

07A	---	720 lm	4.5W	160 lm/w	350mA
09A	---	965 lm	6.6W	146 lm/w	500mA
13A	---	1300 lm	9.5W	137 lm/w	700mA
14A	---	1490 lm	10.6W	141 lm/w	500mA
20A	---	2000 lm	15.2W	131 lm/w	700mA



EN 60598-1
WEE/AE0290TY

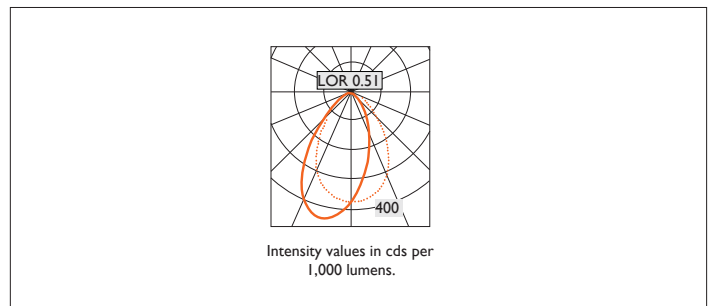
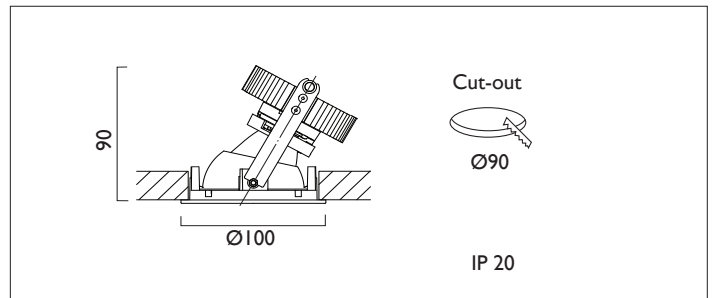
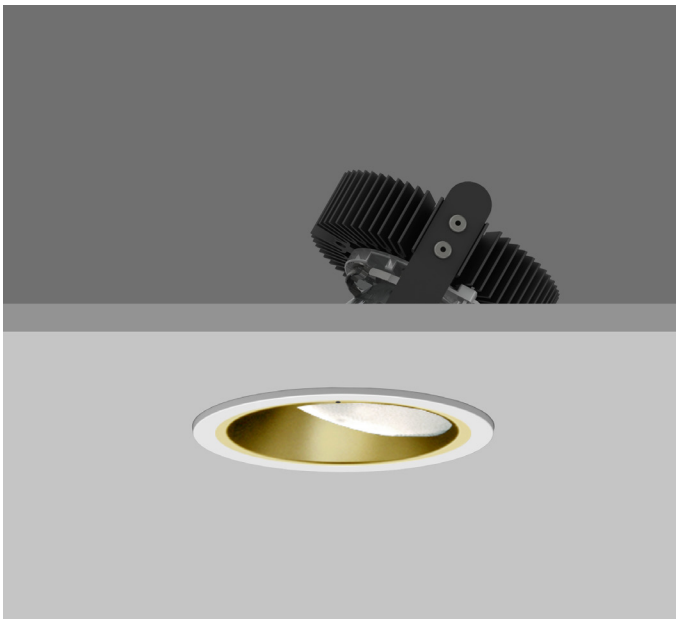




AMBIANCE X100 WALLWASHER

AMBIANCE X100 with Xicato LED recessed wallwasher with deep cone reflector and spread lens, finished in gold, and white ceiling trim. Overall diameter 100mm, cut out 90mm.

For lumen output/power, colour temperature and protocols an appropriate Light Engine should also be specified.



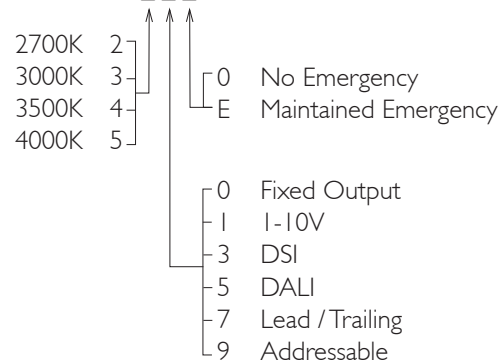
Product Number	C0705/*Light Engine
Lamp Type	Xicato LED, Up to 2000 lumens
Reflector	Gold
Construction	Aluminium / Steel / Glass
Ceiling Trim	White RAL 9010
IP	IP20
Control	Driver

Please Note: For lumen output/power, colour temperature and protocols and appropriate Light Engine should also be specified.

*Light Engine Specification

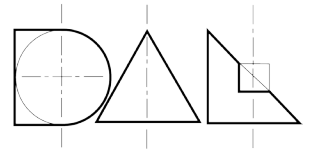
Xicato XTM L80 50,000 hours >Ra80

07A	---	720 lm	4.5W	160 lm/w	350mA
09A	---	965 lm	6.6W	146 lm/w	500mA
13A	---	1300 lm	9.5W	137 lm/w	700mA
14A	---	1490 lm	10.6W	141 lm/w	500mA
20A	---	2000 lm	15.2W	131 lm/w	700mA



EN 60598-1
WEE/AE0290TY

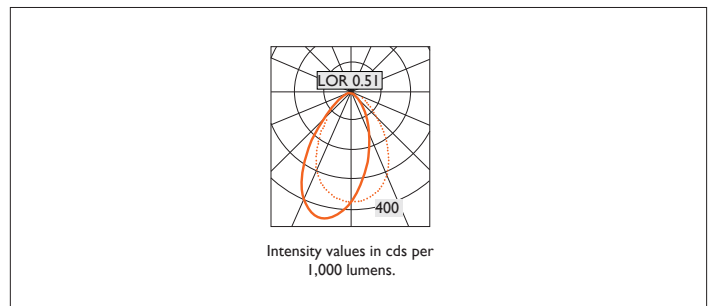
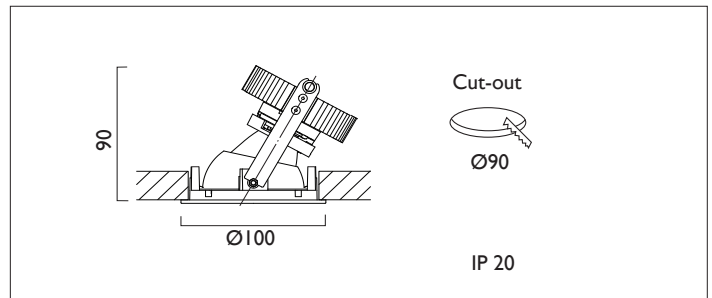




AMBIANCE X100 WALLWASHER

AMBIANCE X100 with Xicato LED recessed wallwasher with deep cone reflector and spread lens, finished in white, and white ceiling trim. Overall diameter 100mm, cut out 90mm.

For lumen output/power, colour temperature and protocols an appropriate Light Engine should also be specified.



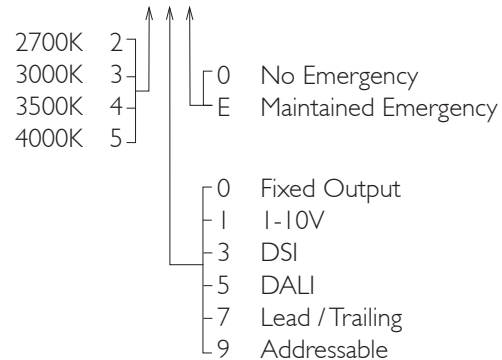
Product Number	C0704/*Light Engine
Lamp Type	Xicato LED, Up to 2000 lumens
Reflector	White
Construction	Aluminium / Steel / Glass
Ceiling Trim	White RAL 9010
IP	IP20
Control	Driver

Please Note: For lumen output/power, colour temperature and protocols and appropriate Light Engine should also be specified.

*Light Engine Specification

Xicato XTM L80 50,000 hours >Ra80

07A	---	720 lm	4.5W	160 lm/w	350mA
09A	---	965 lm	6.6W	146 lm/w	500mA
13A	---	1300 lm	9.5W	137 lm/w	700mA
14A	---	1490 lm	10.6W	141 lm/w	500mA
20A	---	2000 lm	15.2W	131 lm/w	700mA

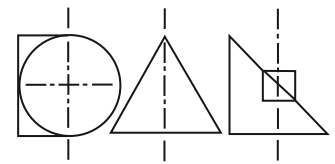


EN 60598-1
WEE/AE0290TY



Ambiance X100 & XS100

Installation and Maintenance Procedure



PRODUCT NUMBER:- C03XX (IP20) C05XX (IP20) D90XX (IP20)
 C04XX (IP44) C06XX (IP44) D91XX (IP44)
 C07XX (IP20) D92XX (IP20) D93XX (IP44)

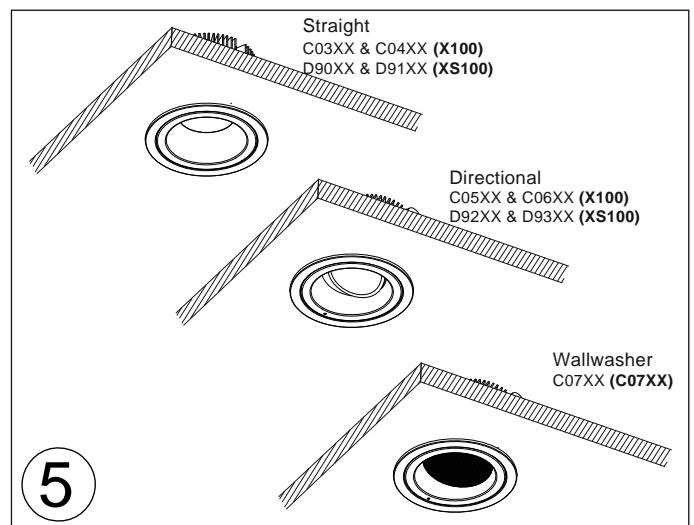
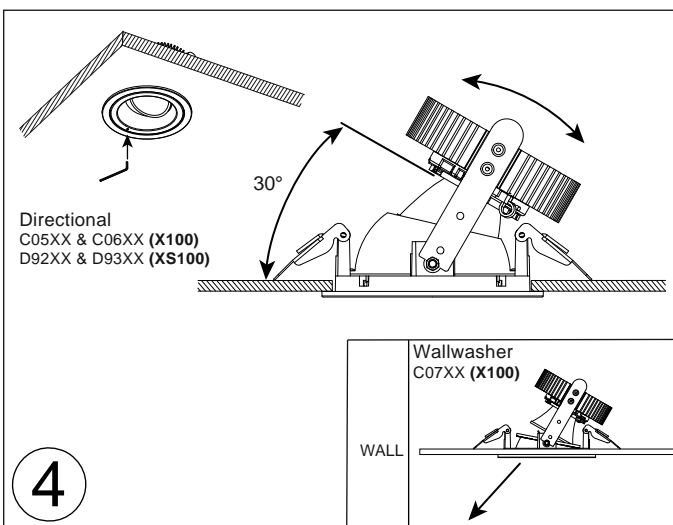
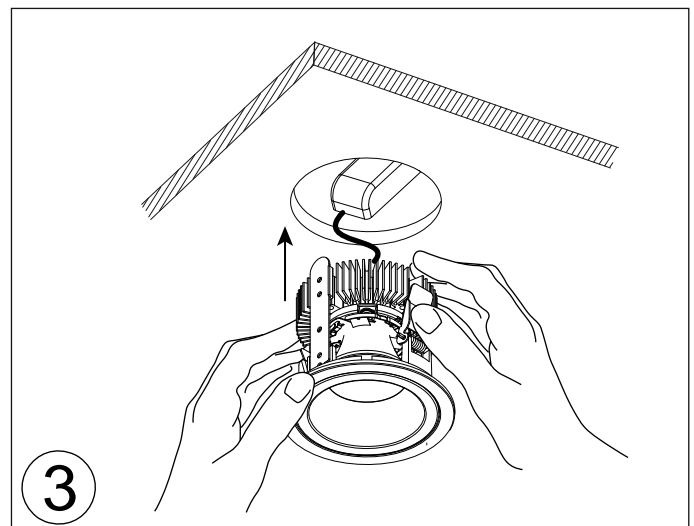
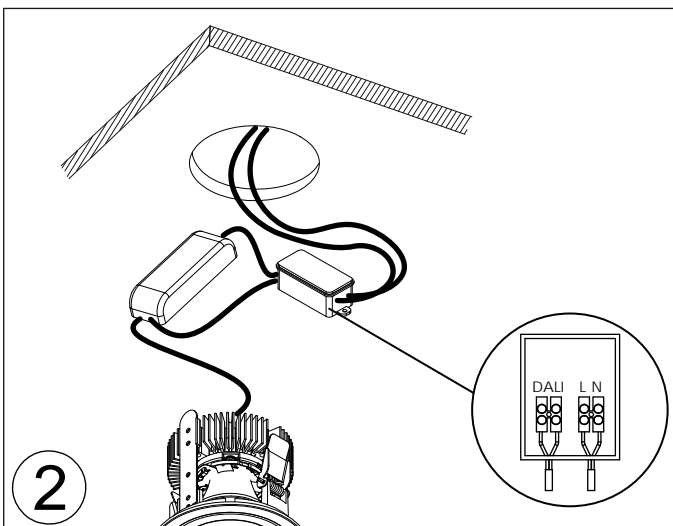
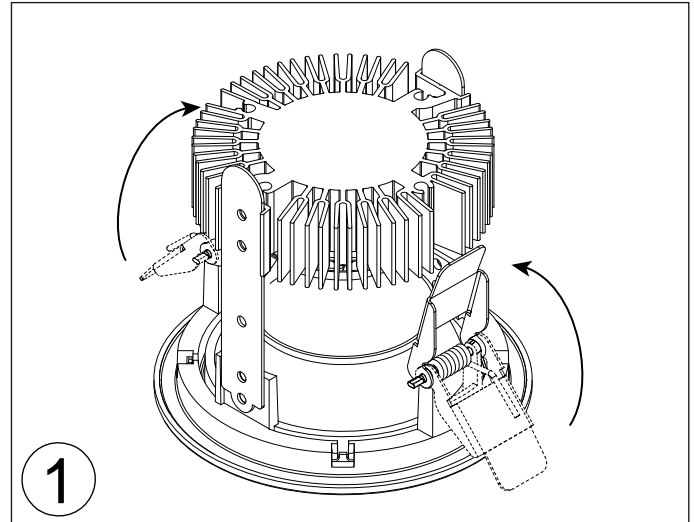
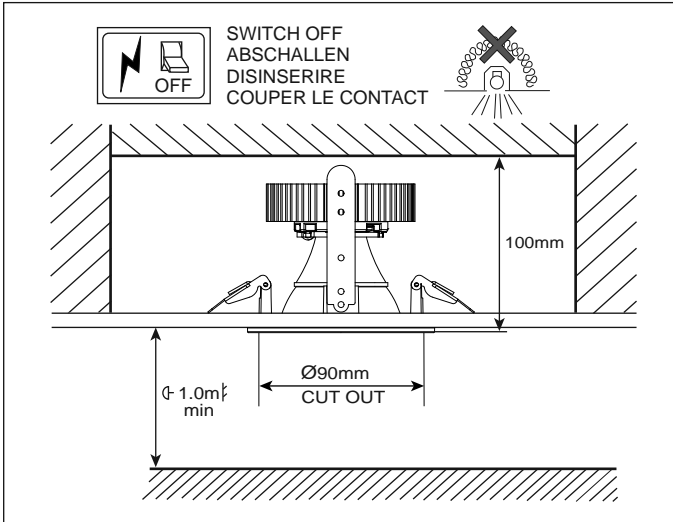
220-240V~ 50/60 HZ WEE/EA0290TY



Country of origin
 United Kingdom

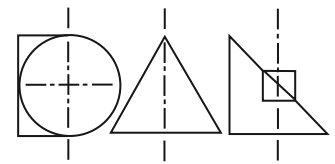


ALL LED PRODUCTS REQUIRE THE USE OF
 A SUITABLE RATED DRIVER (SUPPLIED)



- WARNING. SWITCH OFF MAINS BEFORE INSTALLING OR SERVICING
- REPLACE ANY CRACKED GLASS
- RETAIN PROCEDURE FOR FUTURE USE

General Installation and Maintenance Procedure for Designed Architectural Lighting Luminaires



General Information

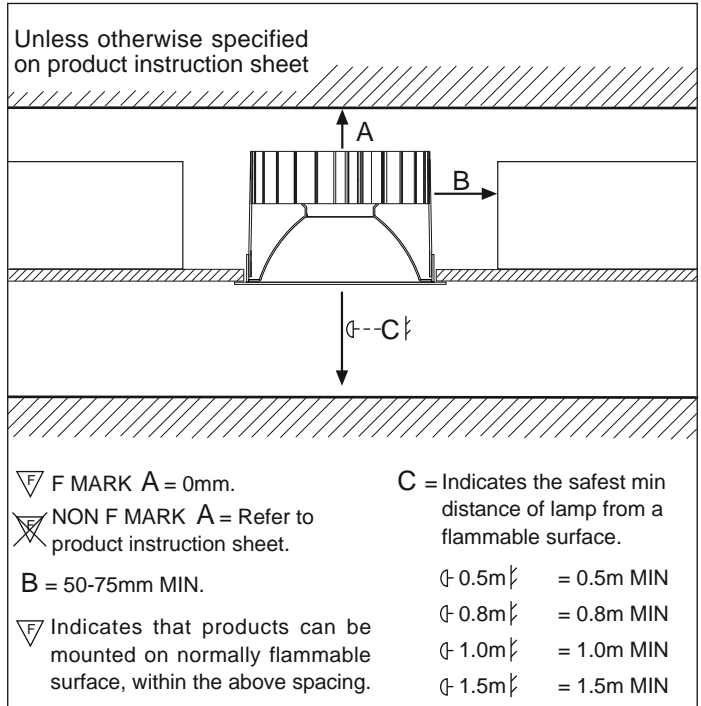
- Follow instruction sheet to ensure safe and reliable operation of product. Retain for future reference.
- The product should NOT be modified. Any modification will negate the safety mark/approvals, and may render the product unsafe.
- DAL accepts no responsibility for modified products. Modifications includes devices fitted between the lamp and lamp holder.
- All replacement component should be identical with those replaced. Disposal to be as manufacturer's instructions.
- DAL track luminaire must only be used on DAL track system or equivalent for which they are designed.

Installation and Supply

- Unless specified otherwise, all products are IP20. DO NOT operate in damp or corrosive situations.
- Disconnect from mains supply before installation, maintenance or replacing fuse or lamp. Care must be taken when drilling holes near existing installation wiring, to avoid electric shock.
- Metal enclosed, Class II and Class III products must not be mounted in contact with or close to Earthed metal work, e.g. structural system of suspended ceilings.
- S.E.L.V. - To be used with Double Insulated. Extra Low Voltage, Safety Isolating Transformer or Driver only.
- When dimming is required, low voltage fittings should only be operated by a specifically rated dimmer.
- DAL accepts no responsibility for the effects of corrosive element in the installation/atmosphere.
- Any closure or ceiling void which prevents normal heat dissipation may cause reduced performance, overheating and risk of fire.

Maintenance

- Only lamps of correct type and rating should be used, and fully and correctly inserted into the lampholder. Manufacturers instructions should be complied with.
- Certain lamp types (Metal Halide / Tungsten Halogen) reach maximum temperature rapidly. Care must be taken when adjusting or relamping.
- Metal Halide Lamps - Replace failed lamps promptly to avoid ballast damage.
- Replace all cracked or damaged safety glass immediately.
- Regular and careful cleaning is required to ensure optimum performance and safety. Designed Architectural Lighting accepts no responsibility for the effect of solvents used when installing, servicing or re-decorating the surround, or for the accumulation of dust and dirt.



<h3>CLASS I</h3> <p>THIS CLASS MUST BE EARTHED</p>	<h3>LEGEND</h3> <p>P/L - BROWN / L / COLOUR RED N - BLUE / N / COLOUR BLACK ⊕ - GREEN / YELLOW / EARTH E / ⊕ / COLOUR GREEN</p> <p>* TEMPERATURE RATING OF CABLE</p>
--	--

<h3>CLASS II </h3> <p>DOUBLE INSULATED</p> <p>DO NOT USE ⊕ TERMINAL</p>	<h3>LEGEND</h3> <p>P/L - BROWN / L / COLOUR RED N - BLUE / N / COLOUR BLACK ⊕ - GREEN / YELLOW / EARTH E / ⊕ / COLOUR GREEN</p> <p>* TEMPERATURE RATING OF CABLE</p>
--	--

<h3>CLASS III III</h3> <p>LOW VOLTAGE</p> <p>DO NOT USE ⊕ TERMINAL</p>	<h3>LEGEND</h3> <p>P/L - BROWN / L / COLOUR RED N - BLUE / N / COLOUR BLACK ⊕ - GREEN / YELLOW / EARTH E / ⊕ / COLOUR GREEN V - 6V / 12V / 24V / 48V AS INDICATED</p> <p>* TEMPERATURE RATING OF CABLE</p>
--	---